



# BRACKETS

INDUSTRIAL CATALOGUE

2020 CATALOGUE

**GASFEDERN – GAS SPRING – MOLLA A GAS**



Discover  
the potential

UNICERT  
ISO 9001:2015



# About Our Company

From Tradition  
to Innovation

**TGS started its industry adventure in early 70s by the producon of machining products for gas springs and various fields of industry. Our early gas spring producon steps started in 1992.**

Day afer day we improved our manufacturing technologies and machinery equipments and caught world standards. In 2008 we started exporting our products to european countries and established our export company Tunatek Ltd. Co. for organizing our all export operations.

More than a quarter century of experience in gas spring producon ensures us self-confidence to provide our products all high level markets. Today we manufacture 5 different series in steel and stainless steel materials and dozens of different functions. Customers from about 50 countries and dozen of different industrial sectors rely on different kinds of gas springs made by TGS.



# Quality Policy



All our products are designed, manufactured and delivered according to the most strict quality standards. Our experienced and specially trained employees monitor the adherence to our quality criteria in every phase of the production process. Tunalift gas springs are manufactured with the highest quality, environmentally friendly materials.

We are certified in accordance with DIN ISO 9001:2015. Our quality program starts with implementing strict quality controls on our purchase transactions. Permanent quality is guaranteed due to the uncompromisingly monitoring of raw materials, an aggressive testing program and a redundant quality control program throughout the production process.

TGS products are continuously tested to ensure reliability, long life and over all product safety for your highest satisfaction. Using our test and development laboratory, products and technology are constantly being improved.



# BALL BRACKETS INDEX

## I SHAPE



## L SHAPE



## Z SHAPE



# EYE BRACKETS INDEX

## I SHAPE



## L SHAPE



## Z SHAPE



## U SHAPE



# BALL BRACKETS

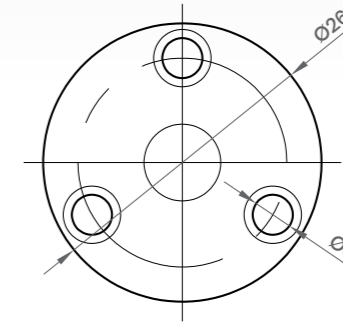
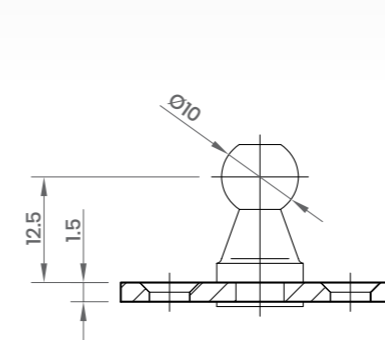
TGS Ball Brackets Collection is made from free cutting steel (DIN 1.0718) which is available with 4 surface treatments. Also stainless steel versions available as AISI304 and AISI316.



## TYPE: BR19 BALL BRACKET - I SHAPE

### B12109

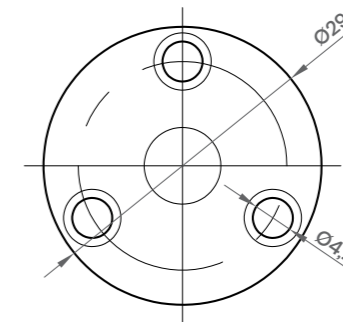
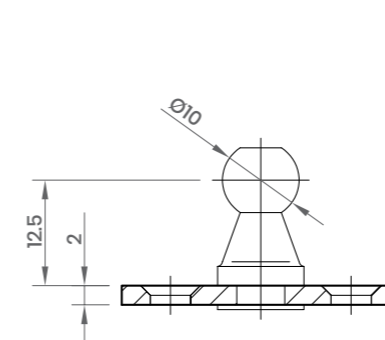
### FEATURES



Material	
Bracket: Carbon steel sheet / Stud: Free cutting steel DIN 1.0718	
INOX Options	AISI304 - B12109S    AISI316 - B12109S/1
Weight	Pressure
0,050 KG	< 500N
Surface Treatment	Part No
White zinc plated (Zn/White)	B12109
Black zinc plated (Zn/Black)	B12109-1
Yellow zinc plated (Zn/Yellow)	B12109-2
Shiny nickel plated	B12109-3

### B12068

### FEATURES



Material	
Bracket: Carbon steel sheet / Stud: Free cutting steel DIN 1.0718	
INOX Options	AISI304 - B12068S    AISI316 - B12068S/1
Weight	Pressure
0,050 KG	< 700N
Surface Treatment	Part No
White zinc plated (Zn/White)	B12068
Black zinc plated (Zn/Black)	B12068-1
Yellow zinc plated (Zn/Yellow)	B12068-2
Shiny nickel plated	B12068-3

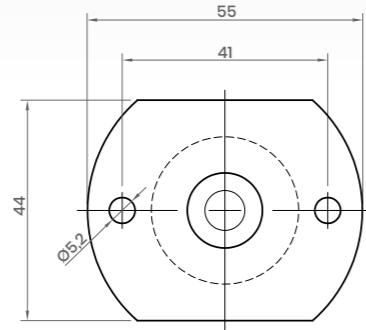
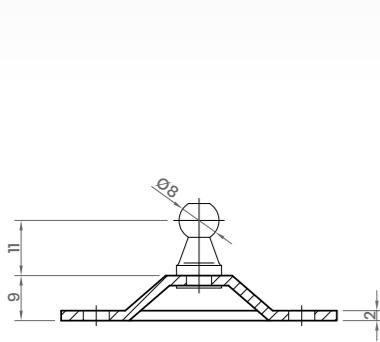




## TYPE: BR20 BALL BRACKET - I SHAPE

**B12069**

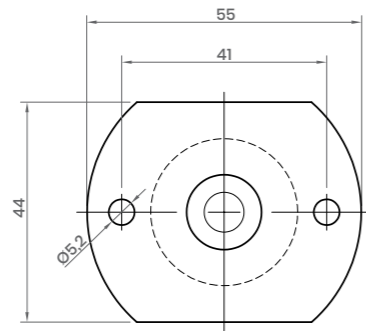
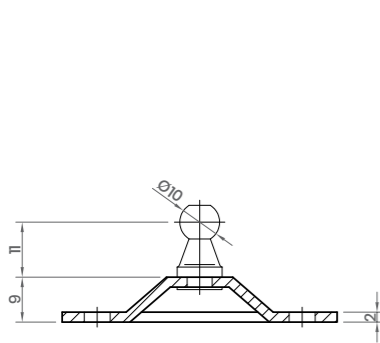
**FEATURES**



<b>Material</b>	
Bracket: Carbon steel sheet / Stud: Free cutting steel DIN 1.0718	
INOX Options	AISI304 - <b>B12069S</b> AISI316 - <b>B12069S/1</b>
<b>Weight</b>	<b>Pressure</b>
0,050 KG	< 500N
<b>Surface Treatment</b>	<b>Part No</b>
White zinc plated (Zn/White)	B12069
Black zinc plated (Zn/Black)	B12069-1
Yellow zinc plated (Zn/Yellow)	B12069-2
Shiny nickel plated	B12069-3

**B12070**

**FEATURES**



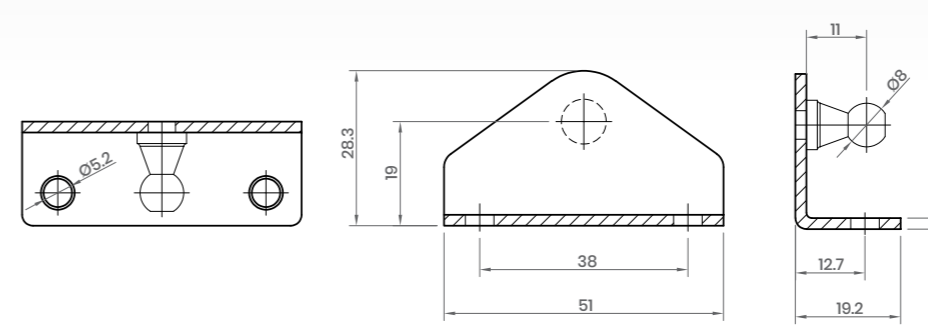
<b>Material</b>	
Bracket: Carbon steel sheet / Stud: Free cutting steel DIN 1.0718	
INOX Options	AISI304 - <b>B12070S</b> AISI316 - <b>B12070S/1</b>
<b>Weight</b>	<b>Pressure</b>
0,050 KG	< 750N
<b>Surface Treatment</b>	<b>Part No</b>
White zinc plated (Zn/White)	B12070
Black zinc plated (Zn/Black)	B12070-1
Yellow zinc plated (Zn/Yellow)	B12070-2
Shiny nickel plated	B12070-3



## TYPE: BR8 BALL BRACKET - L SHAPE

**B12036**

**FEATURES**



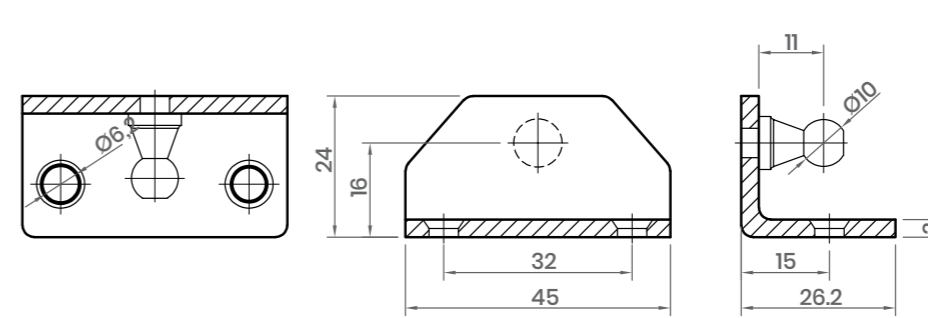
<b>Material</b>	
Bracket: Carbon steel sheet / Stud: Free cutting steel DIN 1.0718	
INOX Options	AISI304 - <b>B12036S</b> AISI316 - <b>B12036S/1</b>
<b>Weight</b>	<b>Pressure</b>
0,034 KG	< 400N
<b>Surface Treatment</b>	<b>Part No</b>
White zinc plated (Zn/White)	B12036
Black zinc plated (Zn/Black)	B12036-1
Yellow zinc plated (Zn/Yellow)	B12036-2
Shiny nickel plated	B12036-3



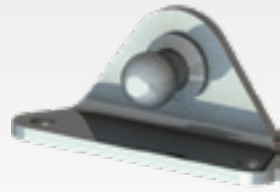
## TYPE: BR1 BALL BRACKET - L SHAPE

**B12016**

**FEATURES**



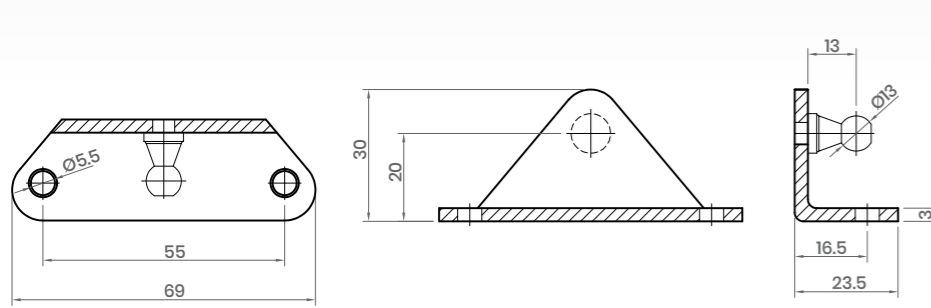
<b>Material</b>	
Bracket: Carbon steel sheet / Stud: Free cutting steel DIN 1.0718	
INOX Options	AISI304 - <b>B12016S</b> AISI316 - <b>B12016S/1</b>
<b>Weight</b>	<b>Pressure</b>
0,050 KG	< 700N
<b>Surface Treatment</b>	<b>Part No</b>
White zinc plated (Zn/White)	B12016
Black zinc plated (Zn/Black)	B12016-1
Yellow zinc plated (Zn/Yellow)	B12016-2
Shiny nickel plated	B12016-3



## TYPE: BR4 BALL BRACKET - L SHAPE

B12026

FEATURES



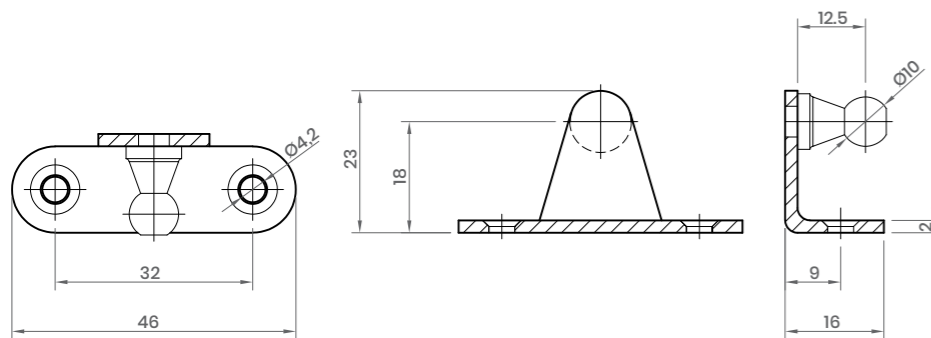
Material	
Bracket: Carbon steel sheet / Stud: Free cutting steel DIN 1.0718	
INOX Options	AISI304 - B12026S    AISI316 - B12026S/1
Weight	Pressure
0,062 KG	< 1000N
Surface Treatment	Part No
White zinc plated (Zn/White)	B12026
Black zinc plated (Zn/Black)	B12026-1
Yellow zinc plated (Zn/Yellow)	B12026-2
Shiny nickel plated	B12026-3



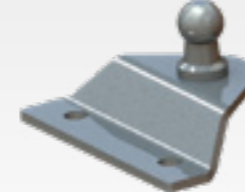
## TYPE: BR13 BALL BRACKET - L SHAPE

B12050

FEATURES



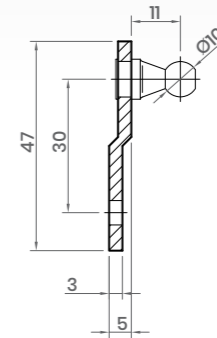
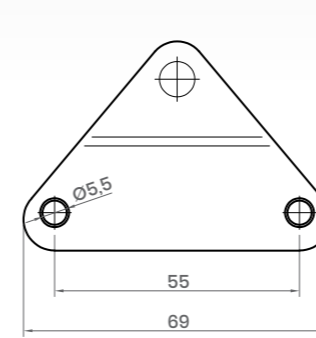
Material	
Bracket: Carbon steel sheet / Stud: Free cutting steel DIN 1.0718	
INOX Options	AISI304 - B12050S    AISI316 - B12050S/1
Weight	Pressure
0,020 KG	< 500N
Surface Treatment	Part No
White zinc plated (Zn/White)	B12050
Black zinc plated (Zn/Black)	B12050-1
Yellow zinc plated (Zn/Yellow)	B12050-2
Shiny nickel plated	B12050-3



## TYPE: BR2 BALL BRACKET - L SHAPE

B12019

FEATURES



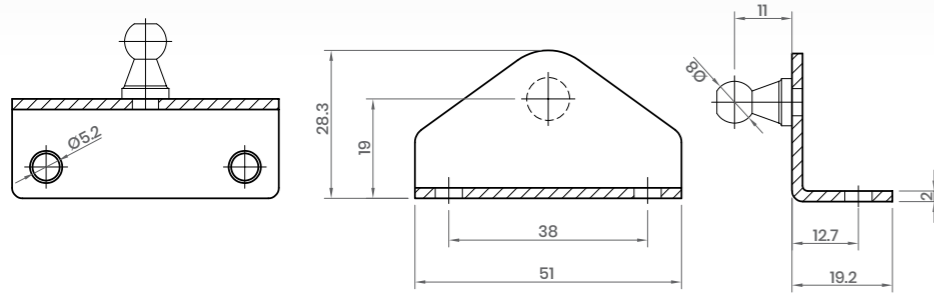
Material	
Bracket: Carbon steel sheet / Stud: Free cutting steel DIN 1.0718	
INOX Options	AISI304 - B12019S    AISI316 - B12019S/1
Weight	Pressure
0,055 KG	< 750N
Surface Treatment	Part No
White zinc plated (Zn/White)	B12019
Black zinc plated (Zn/Black)	B12019-1
Yellow zinc plated (Zn/Yellow)	B12019-2
Shiny nickel plated	B12019-3



## TYPE: BR9 BALL BRACKET - Z SHAPE

**B12039**

**FEATURES**



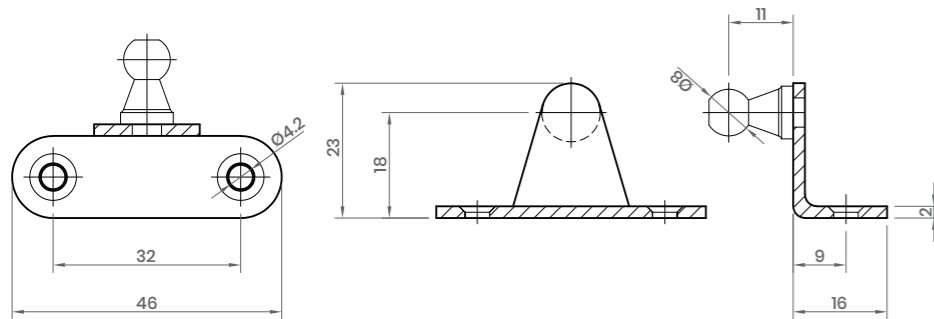
<b>Material</b>	
Bracket: Carbon steel sheet / Stud: Free cutting steel DIN 1.0718	
INOX Options	AISI304 - <b>B12039S</b> AISI316 - <b>B12039S/1</b>
<b>Weight</b>	<b>Pressure</b>
0,034 KG	< 400N
<b>Surface Treatment</b>	<b>Part No</b>
White zinc plated (Zn/White)	B12039
Black zinc plated (Zn/Black)	B12039-1
Yellow zinc plated (Zn/Yellow)	B12039-2
Shiny nickel plated	B12039-3



## TYPE: BR14 BALL BRACKET - Z SHAPE

**B12051**

**FEATURES**



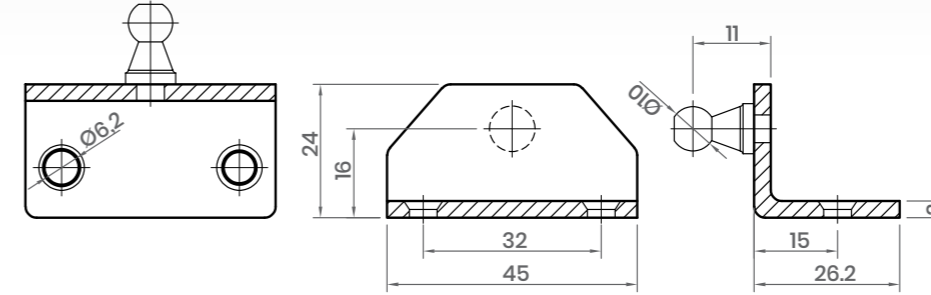
<b>Material</b>	
Bracket: Carbon steel sheet / Stud: Free cutting steel DIN 1.0718	
INOX Options	AISI304 - <b>B12051S</b> AISI316 - <b>B12051S/1</b>
<b>Weight</b>	<b>Pressure</b>
0,020 KG	< 500N
<b>Surface Treatment</b>	<b>Part No</b>
White zinc plated (Zn/White)	B12051
Black zinc plated (Zn/Black)	B12051-1
Yellow zinc plated (Zn/Yellow)	B12051-2
Shiny nickel plated	B12051-3



## TYPE: BR3 BALL BRACKET - Z SHAPE

**B12022**

**FEATURES**



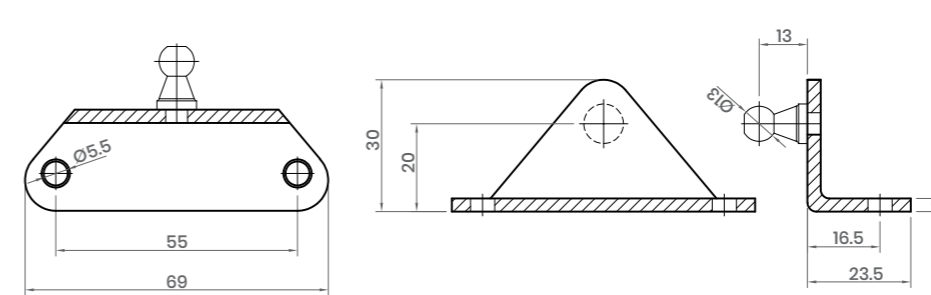
<b>Material</b>	
Bracket: Carbon steel sheet / Stud: Free cutting steel DIN 1.0718	
INOX Options	AISI304 - <b>B12022S</b> AISI316 - <b>B12022S/1</b>
<b>Weight</b>	<b>Pressure</b>
0,050 KG	< 700N
<b>Surface Treatment</b>	<b>Part No</b>
White zinc plated (Zn/White)	B12022
Black zinc plated (Zn/Black)	B12022-1
Yellow zinc plated (Zn/Yellow)	B12022-2
Shiny nickel plated	B12022-3



## TYPE: BR5 BALL BRACKET - Z SHAPE

**B12029**

**FEATURES**



<b>Material</b>	
Bracket: Carbon steel sheet / Stud: Free cutting steel DIN 1.0718	
INOX Options	AISI304 - <b>B12029S</b> AISI316 - <b>B12029S/1</b>
<b>Weight</b>	<b>Pressure</b>
0,062 KG	< 1000N
<b>Surface Treatment</b>	<b>Part No</b>
White zinc plated (Zn/White)	B12029
Black zinc plated (Zn/Black)	B12029-1
Yellow zinc plated (Zn/Yellow)	B12029-2
Shiny nickel plated	B12029-3

# EYE BRACKETS

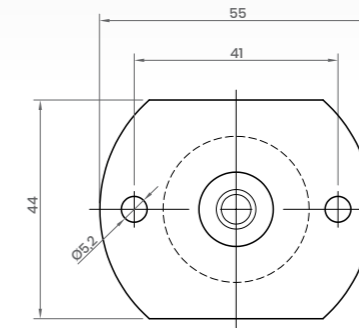
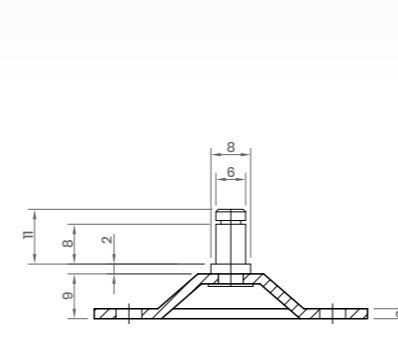
TGS Eye Brackets Collection is made from free cutting steel (DIN 1.0718) which is available with 4 surface treatments. Also stainless steel versions available as AISI304 and AISI316.



## TYPE: BR39 EYE BRACKET - I SHAPE

### B12107

### FEATURES



#### Material

Bracket: Carbon steel sheet / Stud: Free cutting steel DIN 1.0718

INOX Options AISI304 - B12107S AISI316 - B12107S/1

**Weight** **Pressure**

0,055 KG < 400N

**Surface Treatment** **Part No**

White zinc plated (Zn/White) B12107

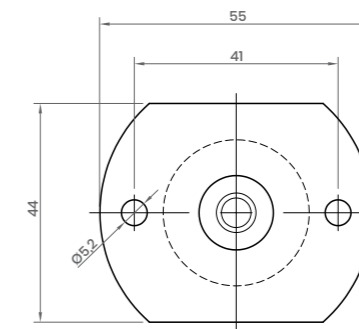
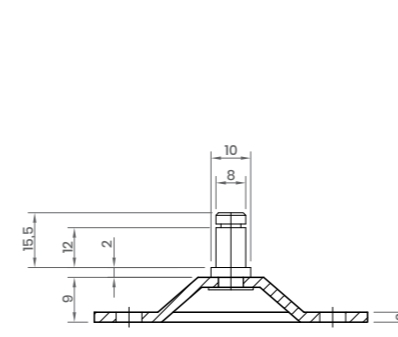
Black zinc plated (Zn/Black) B12107-1

Yellow zinc plated (Zn/Yellow) B12107-2

Shiny nickel plated B12107-3

### B12108

### FEATURES



#### Material

Bracket: Carbon steel sheet / Stud: Free cutting steel DIN 1.0718

INOX Options AISI304 - B12108S AISI316 - B12108S/1

**Weight** **Pressure**

0,056 KG < 400N

**Surface Treatment** **Part No**

White zinc plated (Zn/White) B12108

Black zinc plated (Zn/Black) B12108-1

Yellow zinc plated (Zn/Yellow) B12108-2

Shiny nickel plated B12108-3



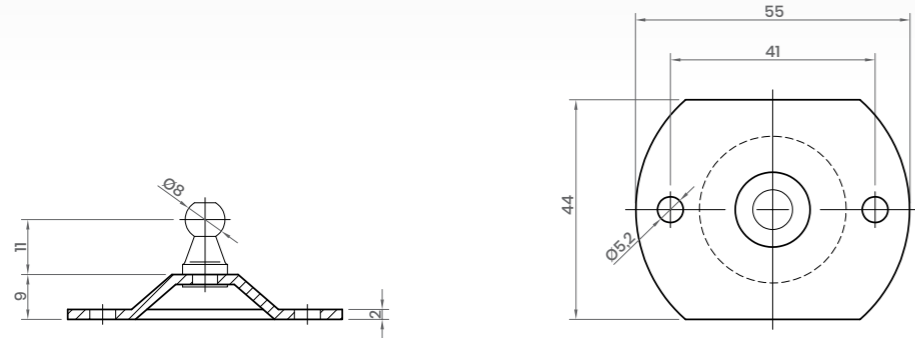




## TYPE: BR23 EYE BRACKET - L SHAPE

B12077

FEATURES



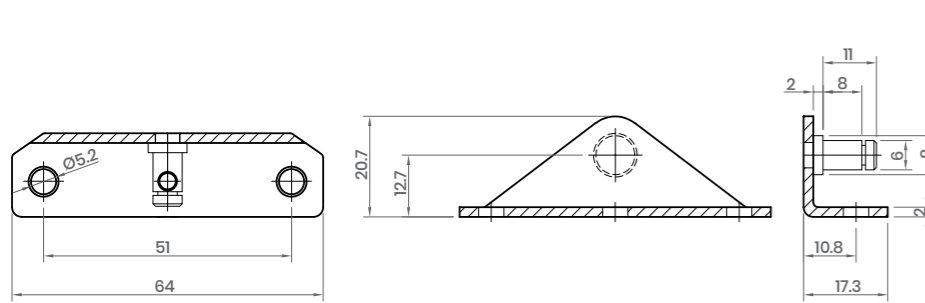
<b>Material</b>	
Bracket: Carbon steel sheet / Stud: Free cutting steel DIN 1.0718	
INOX Options	AISI304 - B12077S    AISI316 - B12077S/1
<b>Weight</b>	<b>Pressure</b>
0,057 KG	< 1000N
<b>Surface Treatment</b>	<b>Part No</b>
White zinc plated (Zn/White)	B12077
Black zinc plated (Zn/Black)	B12077-1
Yellow zinc plated (Zn/Yellow)	B12077-2
Shiny nickel plated	B12077-3



## TYPE: BR26 EYE BRACKET - L SHAPE

B12082

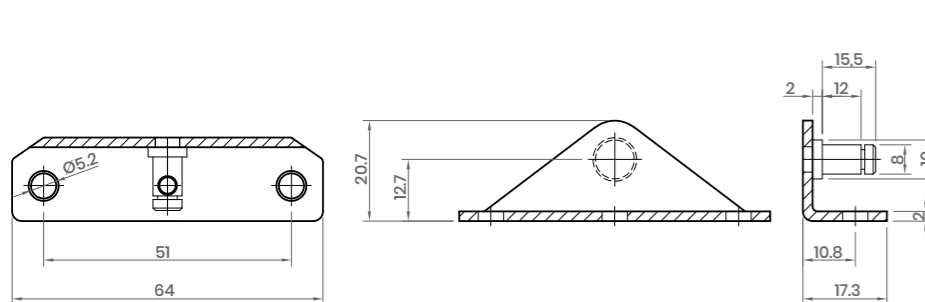
FEATURES



<b>Material</b>	
Bracket: Carbon steel sheet / Stud: Free cutting steel DIN 1.0718	
INOX Options	AISI304 - B12082S    AISI316 - B12082S/1
<b>Weight</b>	<b>Pressure</b>
0,031 KG	< 400N
<b>Surface Treatment</b>	<b>Part No</b>
White zinc plated (Zn/White)	B12082
Black zinc plated (Zn/Black)	B12082-1
Yellow zinc plated (Zn/Yellow)	B12082-2
Shiny nickel plated	B12082-3

B12083

FEATURES



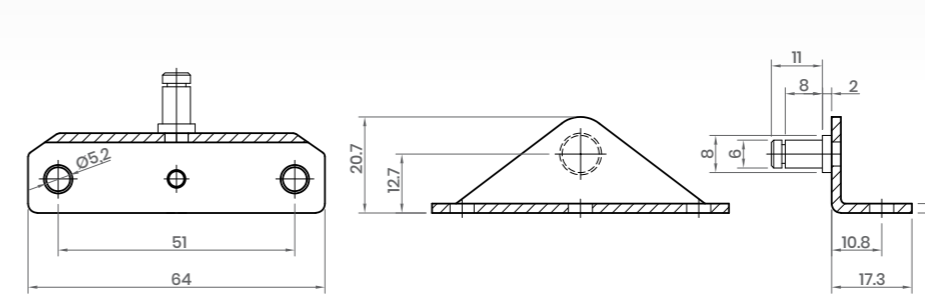
<b>Material</b>	
Bracket: Carbon steel sheet / Stud: Free cutting steel DIN 1.0718	
INOX Options	AISI304 - B12083S    AISI316 - B12083S/1
<b>Weight</b>	<b>Pressure</b>
0,032 KG	< 400N
<b>Surface Treatment</b>	<b>Part No</b>
White zinc plated (Zn/White)	B12083
Black zinc plated (Zn/Black)	B12083-1
Yellow zinc plated (Zn/Yellow)	B12083-2
Shiny nickel plated	B12083-3



## TYPE: BR27 EYE BRACKET - Z SHAPE

B12084

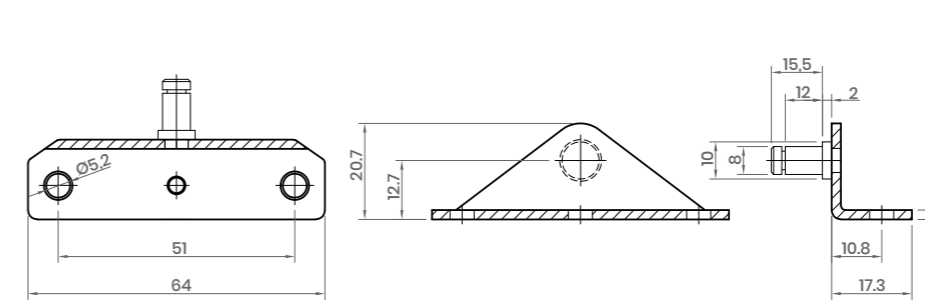
FEATURES



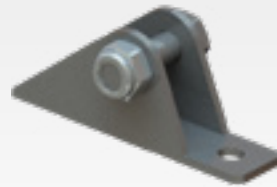
<b>Material</b>	
Bracket: Carbon steel sheet / Stud: Free cutting steel DIN 1.0718	
INOX Options	AISI304 - B12084S    AISI316 - B12084S/1
<b>Weight</b>	<b>Pressure</b>
0,031 KG	< 400N
<b>Surface Treatment</b>	<b>Part No</b>
White zinc plated (Zn/White)	B12084
Black zinc plated (Zn/Black)	B12084-1
Yellow zinc plated (Zn/Yellow)	B12084-2
Shiny nickel plated	B12084-3

B12085

FEATURES



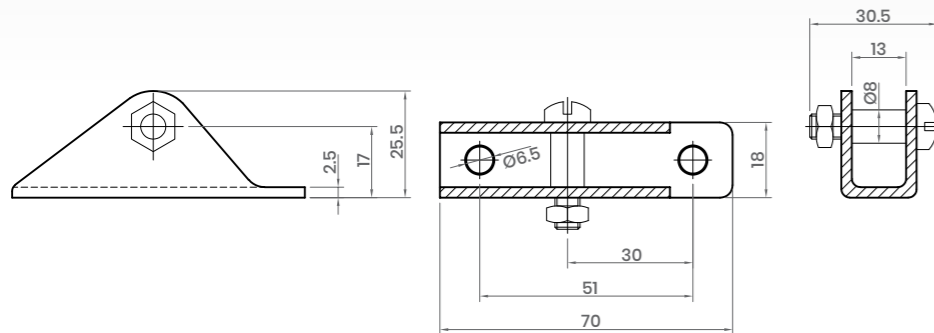
<b>Material</b>	
Bracket: Carbon steel sheet / Stud: Free cutting steel DIN 1.0718	
INOX Options	AISI304 - B12085S    AISI316 - B12085S/1
<b>Weight</b>	<b>Pressure</b>
0,032 KG	< 1000N
<b>Surface Treatment</b>	<b>Part No</b>
White zinc plated (Zn/White)	B12085
Black zinc plated (Zn/Black)	B12085-1
Yellow zinc plated (Zn/Yellow)	B12085-2
Shiny nickel plated	B12085-3



## TYPE: BR10 EYE BRACKET - U SHAPE

### B12042

### FEATURES



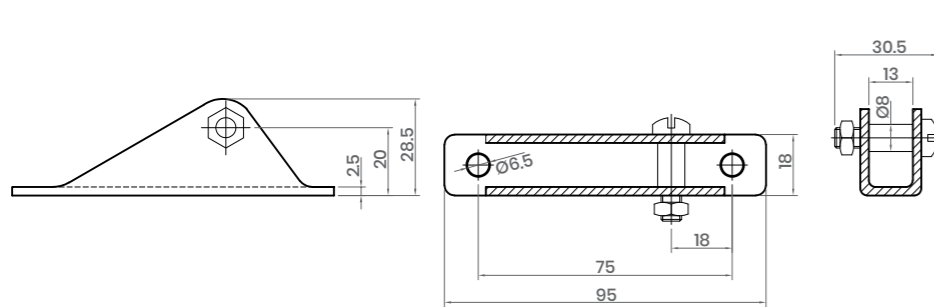
<b>Material</b>	
Bracket: Carbon steel sheet / Stud: Free cutting steel DIN 1.0718	
<b>INOX Options</b>	AISI304 - B12042S    AISI316 - B12042S/h
<b>Weight</b>	<b>Pressure</b>
0,060 KG	< 750N
<b>Surface Treatment</b>	<b>Part No</b>
White zinc plated (Zn/White)	B12042
Black zinc plated (Zn/Black)	B12042-1
Yellow zinc plated (Zn/Yellow)	B12042-2
Shiny nickel plated	B12042-3



## TYPE: BR11 EYE BRACKET - U SHAPE

### B12111

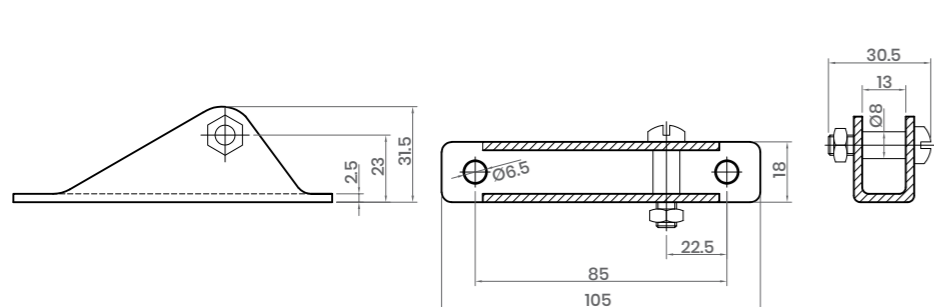
### FEATURES



<b>Material</b>	
Bracket: Carbon steel sheet / Stud: Free cutting steel DIN 1.0718	
<b>INOX Options</b>	AISI304 - B12111S    AISI316 - B12111S/h
<b>Weight</b>	<b>Pressure</b>
0,032 KG	< 400N
<b>Surface Treatment</b>	<b>Part No</b>
White zinc plated (Zn/White)	B12111
Black zinc plated (Zn/Black)	B12111-1
Yellow zinc plated (Zn/Yellow)	B12111-2
Shiny nickel plated	B12111-3

### B12044

### FEATURES



<b>Material</b>	
Bracket: Carbon steel sheet / Stud: Free cutting steel DIN 1.0718	
<b>INOX Options</b>	AISI304 - B12044S    AISI316 - B12044S/h
<b>Weight</b>	<b>Pressure</b>
0,087 KG	< 400N
<b>Surface Treatment</b>	<b>Part No</b>
White zinc plated (Zn/White)	B12044
Black zinc plated (Zn/Black)	B12044-1
Yellow zinc plated (Zn/Yellow)	B12044-2
Shiny nickel plated	B12044-3



*"Feel Safe!"*  
www.tunalift.com

Bursa, Turkey

+90 224 211 44 73

info@tunalift.com

www.tunalift.com