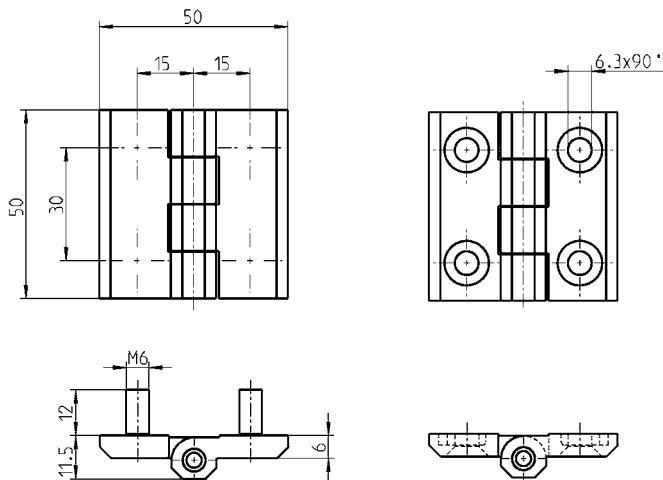
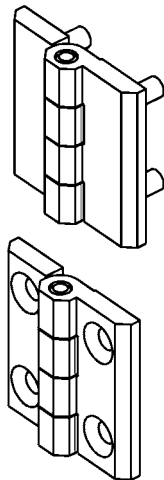


180° screw-on hinge

STAINLESS STEEL



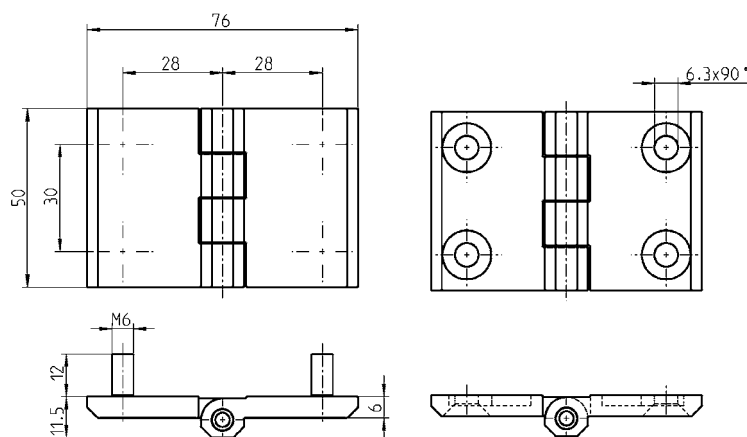
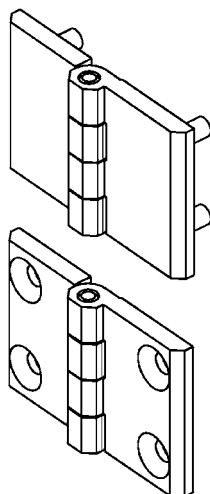
Screw-on hinge zinc die, polyamide black or stainless steel; grub screw M6 stainless steel

	Pin	with threaded studs M6	for countersunk screw M6 (2D-nut possible)
zinc die chrome pl.	Stainless steel	1056-U7	1056-U9
zinc die black p.c.	Stainless steel	1056-U8	1056-U10
polyamide black	Stainless steel	–	1056-U31
polyamide black	polyamide	–	1056-U42
AISI 316	Stainless steel	–	1056-U9-PH



270° screw-on hinge

STAINLESS STEEL



Screw-on hinge zinc-die or stainless steel; threaded stud M6 stainless steel

	Pin	with threaded studs M6	for countersunk screw M6 (2D-nut possible)
zinc die chrome pl.	Stainless steel	1056-U15	1056-U17
zinc die black p.c.	Stainless steel	1056-U16	1056-U18
AISI 316	Stainless steel	–	1056-U17-PH

Further parts see page
– 2D-nut

12E-120