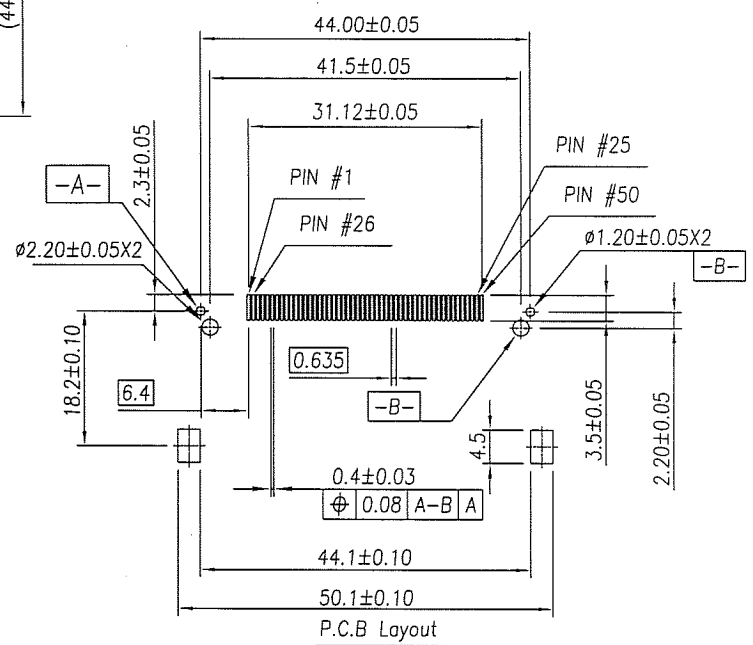
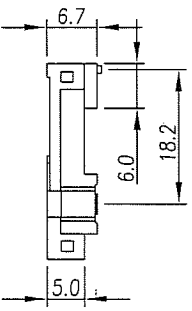
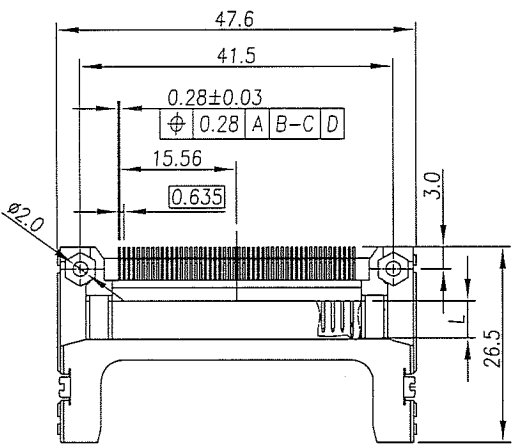
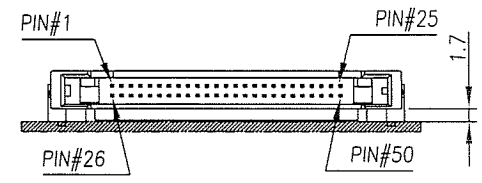
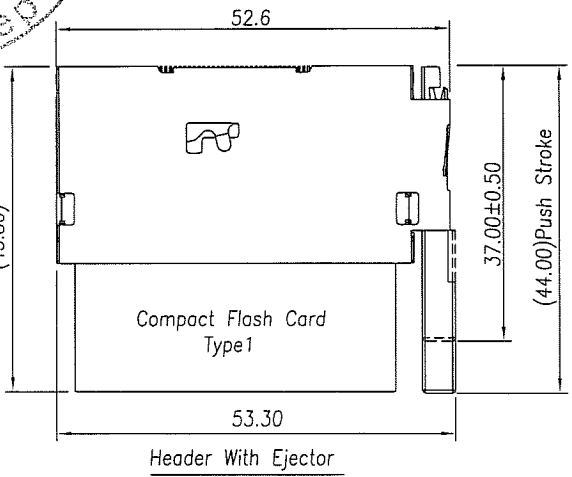
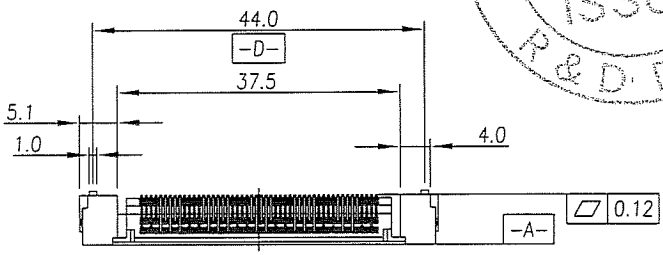


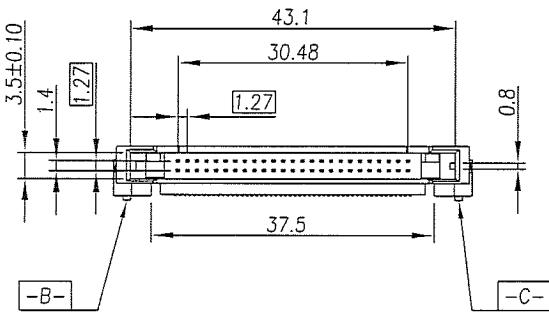
Pin Type	DIM.L	Pin Type	REV	MODIFICATION	DATE	DRAW
Detect	3.5 mm	25,26	C	EN-07-1008	2007/10/04	SAN
General	4.25 mm	All Other Pins	D	EN-07-1143	2007/11/19	TONY
Power	5.0 mm	1,13,38,50	E	EN-10-0210	2010/02/09	TONY



SPECIFICATIONS:
 HOUSING : High Temperature Plastic, UL 94V-0
 CONTACT : Copper Alloys
 VOLTAGE RATING : 100VAC
 CURRENT RATING : 0.5A
 CONTACT RESISTANCE:40 m Ohm max.
 INSULATION RESISTANCE:1000M Ohm min.
 DIELECTRIC STRENGTH : 500VAC/1min
 OPERATION TEMPERATURE : -40°C~85°C

Ordering Information:
 CFC M D - 1 5 X XX W 00 0

Pin No. 50 Position
 Color: W-White.
 TYPE 1
 T : COMPLY TO RoHS
 Contact Area Plating: Gold Plating.



DIMENSION IN mm [Inch]		PROD. SPEC. SPO011
TOLERANCE UNLESS OTHERWISE SPECIFIED		PKG. SPEC. PPP-CFC-006
.X±0.30	.X'± 1'	APPROVE <i>Gomy</i>
.XX±0.20	.X'± 0.5'	CHECK <i>Sto</i>
.XXX±0.10	.XX'± 0.25'	DRAW <i>Fony</i>

KINGFONT KINGFONT PRECISION INDUSTRIAL CO., LTD.	
TITLE 1.27mm CF CARD CONN. 50PIN TYPE1 NORMAL TYPE	CUSTOMER DRAWING
FILE NO. KFP-011	DWG NO. CFCMD-15XXXW000
SIZE A4	PROJ. SHEET 1 / 1
SCALE 1:1	REV E