

Electrostatic charges occurring during production processes often cause severe disruptions, reducing production speed and product quality.

The R55 ion blower head and the PR55 ion blower pistol are both components of the newly developed discharging system with ultimate depth effect; the blower head for fixed installation and the blower pistol for manual and mobile use.

The system is suitable for many discharging duties in various industries such as printing, chemical, textile, plastic, optical and packaging, for instance during separating and fanning paper and foil stacks, finishing plastic products and textiles, during the cleaning of surfaces, etc.

The benefits:

- high discharge reach and therefore greater depth effect
- ultimate safety through passive discharge power
- safety through function and error monitoring in connection with the appropriate power supply
- no risk of personal injury through electric shock if contacting the emission tips.

Technical Information



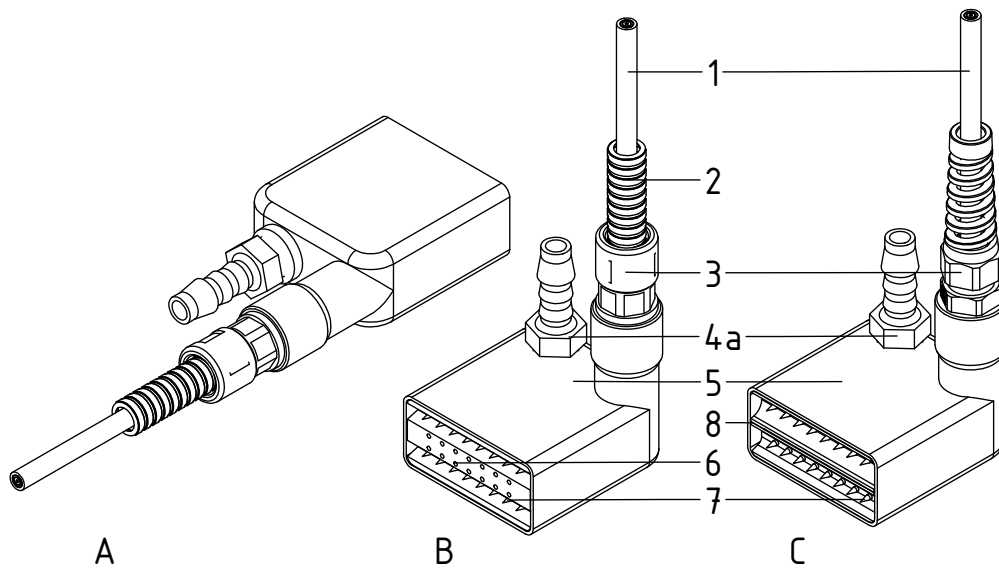
F01036y

Ion Blower Head R55 **Ion Blower Pistol PR55** for AC operation

TI-en-2015-1910



Design variants of the ion blower head R55



Z-116124ay

- 1 High voltage cable
- 2 Flexible tube
- 3 Cable gland
- 4a Air connection for air hose DN8; threaded connection in the blower head M12x1.5
- 5 Blower head housing
- 6 Hole-type nozzle
- 7 Emission tips two rows
- 8 Fishtail nozzle

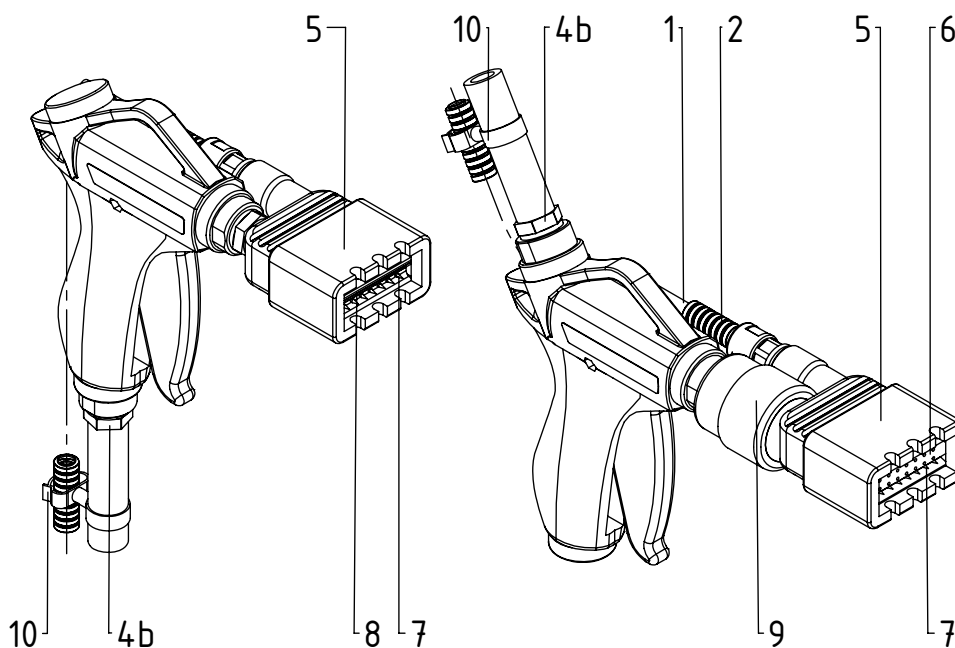
- A axial design, high voltage cable with flexible tube
- B radial design, high voltage cable with flexible tube
- C radial design, high voltage cable without flexible tube

(air supply not included in the delivery)

- Blower head connections: radial or axial
- Electrical connections: R55: high voltage cable with or without flexible tubing
- Air outlet: through hole-type nozzles (turbulent air flow), through fishtail nozzles (optimized flow geometry for maximum reach)
- Brackets: standard bracket with steel angle pieces, universal bracket (rods)

The different design versions can be freely combined in any configuration.

Design variants of the ion blower pistol PR55



Z-116131b_1y

- 1 High voltage cable
- 2 Flexible tube
- 4b Air connection for air hose DN10; threaded connection in the pistol G1/4"
- 5 Blower head housing
- 6 Hole-type nozzle
- 7 Emission tips two rows
- 8 Fishtail nozzle
- 9 Filter
- 10 Fixation, high voltage cable

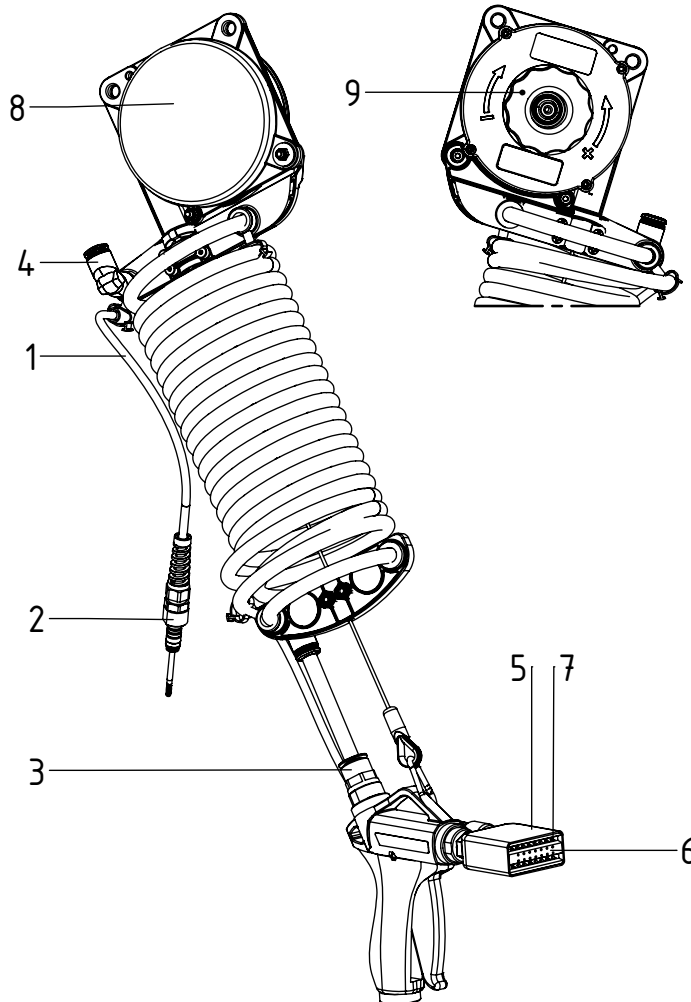
(air supply not included in the delivery)

The PR55 ion blow pistol is available either with fishtail nozzle or with hole-type nozzle. The PR55 is available in the version PR55/F with grease filter for ultra-clean blowing air.

Ion blower head R55E

Combination of bar body, nozzle and permanently connected high voltage cable

Ion blower pistol PR55 with balancer and duo spiral tube with air supply and cable routing R55



- 1 High voltage cable
- 2 Plug X
- 3 Cable gland (non-detachable)
- 4 Air connection
- 5 Ion blower housing
- 6 Hole-type or fishtail nozzle
- 7 Emission tips, two-row
- 8 Balancer
- 9 Adjusting wheel of the balancer

Z-11687.5y

Technical specifications

Electrode element	Plastic material (PP, 40 % GF)
Flame retardant property	UL 94 V-0
Emission tips	stainless steel, injected, current-limited and low capacitance, non-sparking
Operating ambient temperature	0...80 °C (+32...+176 °F) with blown air; blown air temperature max. 30 °C; 0...60 °C (+32...140 °F) without blown air
Ambient humidity	max. 70%, no dewing permitted
Operating voltage	6 kV, 50/60 Hz
Short-circuit current emission tips/ground	0.040 mA
Contact protection	according to EN 61140
High voltage supply	via Eltex power supplies, operating voltage max. 6 kV AC
High voltage cable	shielded, prefabricated R55: exchangeable R55E / PR55: additionally glued in, not exchangeable (specify length when ordering)
Assembly	with assembly material, available in different designs (see Fig.)
Dimensions	see figures
Weight	R55: approx. 100 g (without bracket) PR55: approx. 200 g
Air connection	DN8 hose (R55) or DN10 hose (PR55)
Air pressure	max. 6 bar
Balancer (optional)	Capacity: 0.4 kg - 1.0 kg Travel: 1600 m Weight: 630 g
UL Approval	R55: File No. E227156



The current approvals with their supplements can be found at: <http://service.eltex.de>.

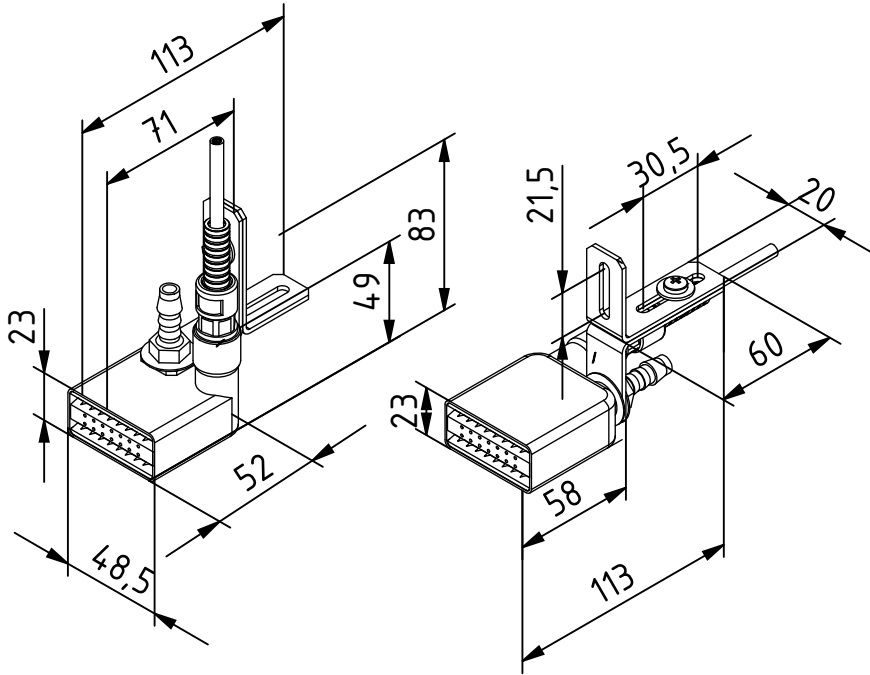
Air consumption in Nm³/h (typical value)

Measured pressure in bar	0.2	0.5	1.0	1.5	2.0	2.5
Ion blower head radial with hole-type nozzles R55/RL	2.5	6.4	12.5	17.8	22.6	27.7
Ion blower head radial with fishtail nozzles R55/RB	1.8	4.7	9.5	13.5	18.1	22.1
Ion blower head axial with hole-type nozzles R55/AL	2.1	5.8	11.0	15.9	20.5	24.5
Ion blower head axial with fishtail nozzles R55/AB	1.0	2.8	5.5	8.3	11.2	14.2
Ion blower pistol with hole-type nozzles PR55/_L	1.0	2.7	5.0	7.3	9.6	11.5
Ion blower pistol with fishtail nozzles PR55/_B	0.9	2.5	4.8	7.1	9.2	11.1

Accessories

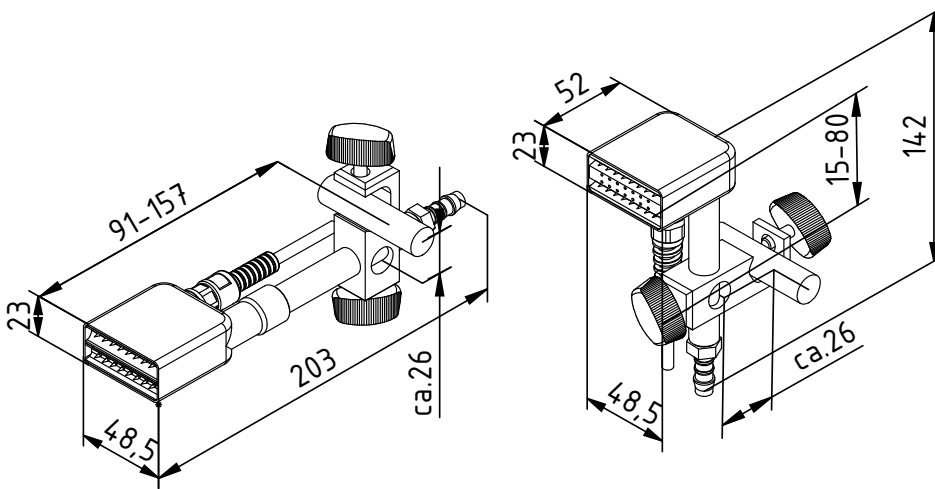
High voltage cable (specify length)	Article No.
High voltage cable from ES5x to R55 without flexible tube	KE/SY _____
High voltage cable from ES5x to R55 with flexible tube	KE/LW _____
High voltage cable from ES47 to R55 without flexible tube	KE/XY _____

Dimensions and brackets



R55 ion blower head
radial and axial
connection design,
with standard bracket

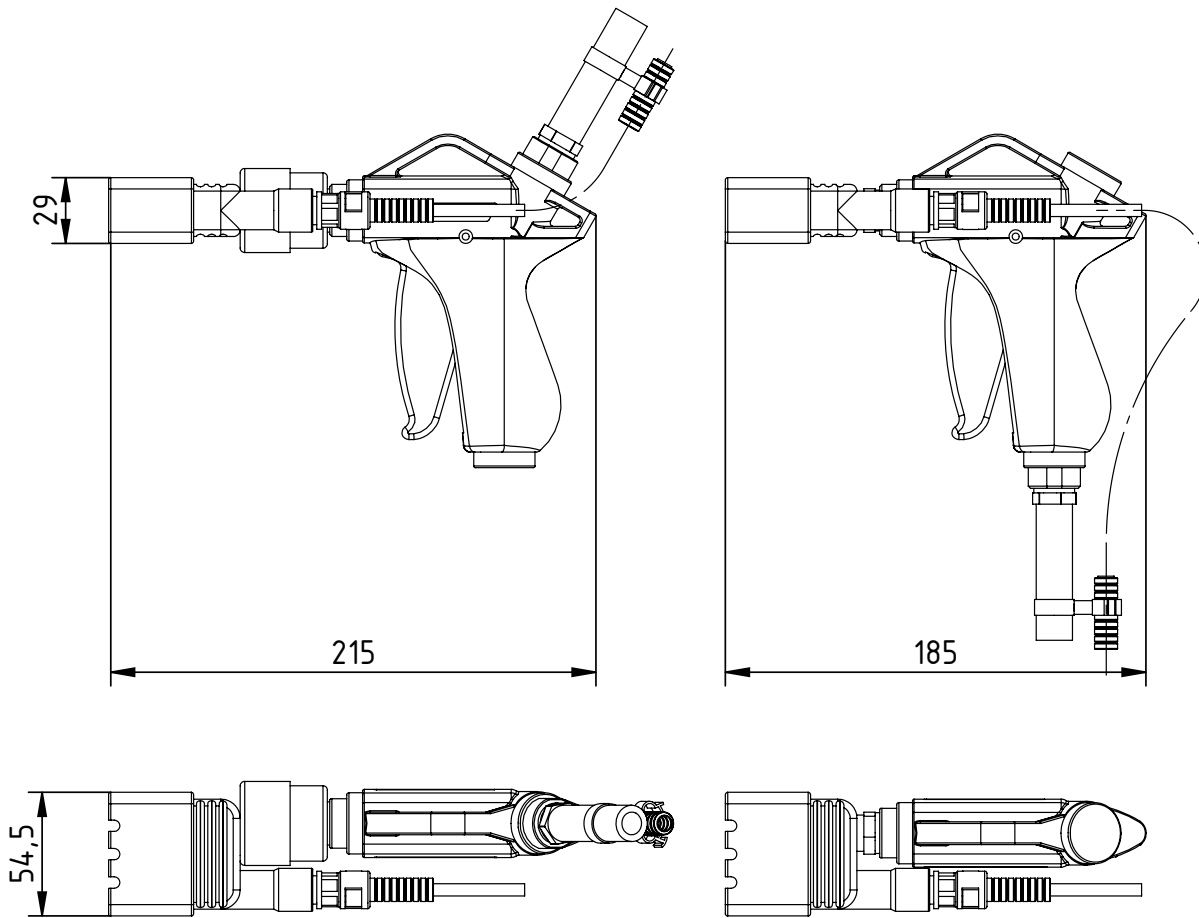
Z-116128yy



R55 ion blower head
radial and axial
connection design,
with universal bracket

Z-116125y

Dimensions



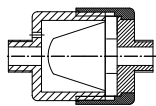
PR55 ion blower pistol, without and with filter



Hole-type nozzles



Fishtail nozzles



Filter

Z-116131_2y

Z01163y



Eltex-Elektrostatik-Gesellschaft mbH
 Blauenstraße 67-69
 79576 Weil am Rhein | Germany
 Phone +49 (0) 76217905-422
 eMail info@eltex.de
 Internet www.eltex.de