

4-WHEELED BINS MGB 1100L ROUND LID

LID IN LID (RL LIL) IN ACCORDANCE WITH EN 840



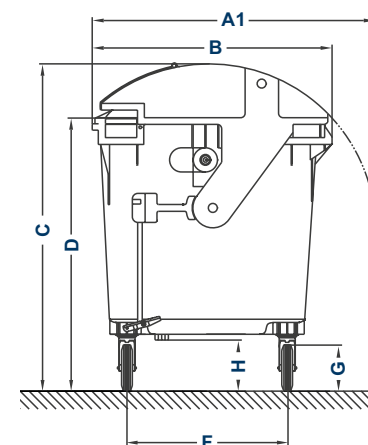
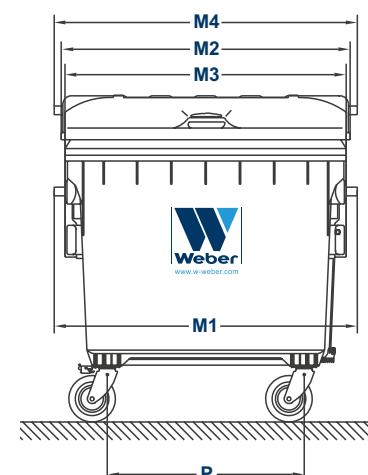
EASY FILLING
THROUGH LIGHTWEIGHT SMALLER LID

- // LID IN LID
- // EASY FILLING
- // WIDE APERTURE



WEBER MGB 1100L RL / 1100L RL LIL ROUND LID, LID IN LID (RL LIL) IN ACCORDANCE WITH EN 840

- Weber MGB manufactured from HDPE using the compact injection moulding method in accordance with EN 840-3
- sliding lid can be secured in three positions
- all models with child safety device according to EN 840-6
- 1100L RL LIL is equipped with an easily exchangeable, smaller lid
- stepped rim, reinforced by additional ribbing
- chip-nest according to RAL-GZ 951/1 for secure transponder placement
- galvanised metal parts (corrosion resistant)
- 200 mm diameter quiet-running, solid rubber castors with 360° swivel range
- resistant to UV, cold, heat and chemicals
- standard colours grey, green, blue and brown – other colours available on request



WEBER 4-WHEELED MGB ROUND LID (RL)	1100L RL	1100L RL LIL
Nominal volume (l)	1100	1100
Nominal payload (kg)	440	440
Empty weight ca. (kg)	62,2	61,0
A1 Total depth, lid open (mm)	1220	1220
B Body, total depth (mm)	1065	1065
C Total height (mm)	1460	1460
D Body, height (mm)	1205	1205
P/F Travelling gear, width (mm)	855/745	855/745
G Wheel Ø (mm)	200	200
H Ground clearance (mm)	225	225
M1 Width with lifting trunnions (mm)	1372	1372
M2 Lid, width (mm)	1270	1270
M3 Body, width (mm)	1200	1200
M4 Width with lid trunnions (mm)	1370	1370

Customer field 370 x 49 mm for all 4-wheeled bins
(customer name or blank)

We reserve the right to make dimensional and constructional alterations.

