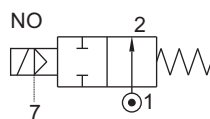


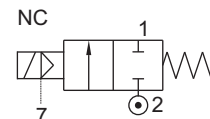
2/2 ISOLATED PISTON, EXTERNAL AIR OPERATED, NC/ NO SOLENOID VALVE

TYPE	PRESSURE

TYPE	PRESSURE
23203	0 - 20 bar



TYPE	PRESSURE
23103	0 - 20 bar



FEATURES

- Bubble tight shut off
- Vibration resistance up to 9g
- Suitable for high speed cycling
- Speed up to 400 cycles/ min
- Life >10 million cycles

WETTED PARTS

Code	※	B18
Body	Powder Coated Die Cast Aluminium	CF8M Aluminium
Internals	Aluminium and Brass	Brass SS 316
Guide Assembly	SS 304	
Shadow-Ring	Copper/ Silver/ None	
Plunger, Insert	SS 430	
Spring	SS 302	
Seat, Seals	NBR, Viton	
Fasteners	SS 304	

AMBIENT AND FLUID TEMPERATURE

-30 °C to 75 °C

SPECIAL VERSION AND SUFFIX

Suffix : (Valve) OX, AM
Special version : (Solenoid) CO, FR, SS, LC, III, TM

MEDIA

Air, Inert Gases, Water, Vacuum, Free Flowing Liquid, Oil, Diesel, Kerosene, LPG, Furnace Oil

APPLICATION

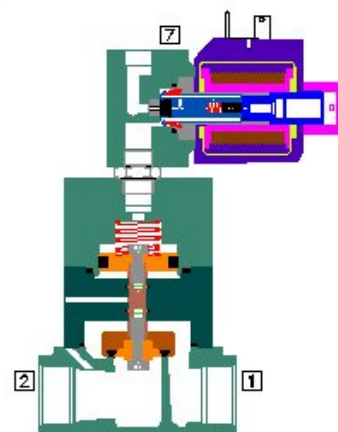
Fuel line shut off, Vacuum Breaking

PORT CONNECTION

ACTION	INLET	OUTLET	EXTERNAL PILOT
NC	2	1	7
NO	1	2	7

Contact Rotex for

- Any other ambient, fluid temperature, media and application
- UL listed, Listed general purpose Valve



SPARES (Refer page 25 for ordering code)

SPARE KIT	CODE
Seal Kit : Oring Set and Plunger Assembly	98
Repair Kit : Oring Set, Plunger Assembly, Springs, Manual Override, Guide Assembly Piston Kit	99
Solenoid Kit : Solenoid, Gasket and Nut	34

APPROVAL (* applied for)

Approval	TYPE 4X, 6P	IP67	Ex d IIC T4 or T5 or T6 IP66	Ex ia IIC T6 IP67	DGMS	CCOE
		✓	✓	✓	✓	✓
CE		✓	✓	✓		
UL	✓		*			
			✓	✓		
			✓	✓		
			✓	✓		



External Pilot pressure should be minimum 2 bar or ≥ main fluid pressure whichever is higher.
OIL Media Temperature Restricted from 0 °C to 100 °C



2/2 ISOLATED PISTON, EXTERNAL AIR OPERATED, NC/ NO SOLENOID VALVE

SPECIFICATION

SIZE	PORT CONNECTION		PRE-SURE bar			ORIFICE (mm)	FLOW FACTOR Kv (LPM OF WATER @ 1 bar ΔP)	VALVE TYPE	PILOT PRESSURE	BODY MATERIAL AND INTERNALS		SEALS					MANUAL OVERRIDE		SOLENOID ENCLOSURE			SUFFIX		POWER VA		CONSTRUCTION REFERENCE NUMBER					
	BSP (F)	NPT (F)	MINIMUM	MAXIMUM						SS+Aluminium	BRASS	CF8M /Aluminium	NBR	Viton	EPDM	HYTREL	PTFE	NIL	STAYPUT CUM MOMENTARY	MOMENTARY	FLYING LEAD	PLUG IN, IP67	SQ. PLUG IN, IP67	TERMINAL BOX IP67	EXPLOSION PROOF IIC, IP67		LARGE ENCLOSURE	SOLENOID SIZE	OXYGEN	AMMONIA	AC INRUSH
2/2 NORMALLY CLOSED																															
1/2"	4G	4R	0	20	12	60	23103	2-20	×	B18	×	S2				M0	×	M8	F	22	25	T	E	III	14	✓	✓	18	12	8	69
3/4"	6G	6R	0	20	20	110	23103	2-20	×	B18	×	S2				M0	×	M8	F	22	25	T	E	III	14	✓	✓	18	12	8	70
1"	8G	8R	0	20	25	185	23103V01	2-20	×	B18	×	S2				M0	×	M8	F	22	25	T	E	III	14	✓	✓	18	12	8	71

2/2 NORMALLY OPEN																															
1/2"	4G	4R	0	20	12	60	23203	2-20	×	B18	×	S2				M0	×	M8	F	22	25	T	E	III	14	✓	✓	18	12	8	69
3/4"	6G	6R	0	20	20	110	23203	2-20	×	B18	×	S2				M0	×	M8	F	22	25	T	E	III	14	✓	✓	18	12	8	70
1"	8G	8R	0	20	25	185	23203V01	2-20	×	B18	×	S2				M0	×	M8	F	22	25	T	E	III	14	✓	✓	18	12	8	71

SOLENOID 14									
Cable Entry	T	Öc/A	Öc/AE	Öc/A	Öc/A	Öc/A	Öc/A	Öc/A	Öc/A
M20 x 1.5	FJ	FITÜ	HU	iiTÜ	iiTÜ	iiTÜ	iiTÜ	iiTÜ	iiTÜ
M25 x 1.5	F	ii	ii	ii	ii	ii	ii	ii	ii
1/2" NPT	F	iiPÜ	H	iiPÜ	iiPÜ	iiPÜ	iiPÜ	iiPÜ	iiPÜ

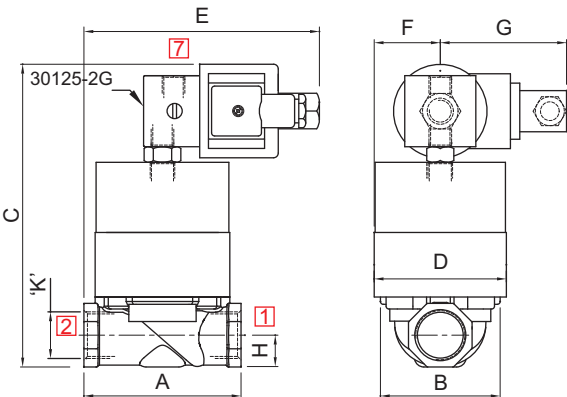
F Flying lead IP54 *
 01 Flying lead IP67 *
 * = Do not specify when opted for. Refer Page # 22 for Value of *
 ✓ = Options available

ORDERING CODE AND EXAMPLE VALVE + SOLENOID

VALVE TYPE – SUFFIX – ORIFICE – PORT CONNECTION – BODY AND INTERNALS – MANUAL OVERRIDE – SEAL - MEDIA + SIZE – VOLTAGE – CURRENT – SOLENOID ENCLOSURE – SPECIAL VERSION – POWER – INSULATION – APPROVAL
 e.g. 23103-12-4G+I-230V-50Hz-22; 23103-20-6R-B18-S2+III-110V-DC-16-H

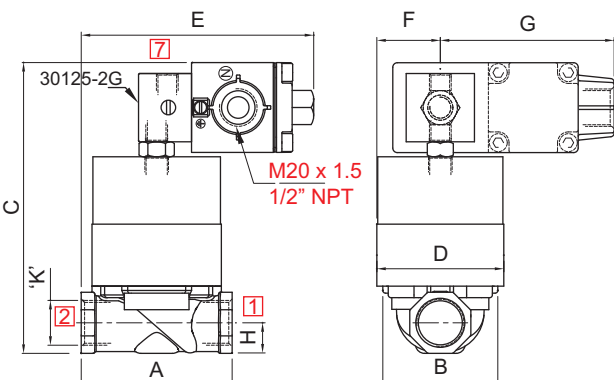
DIMENSIONS

All Dimensions are in mm



PLUG IN SOLENOID TYPE 22/ 25

NW	K (PORT SIZE)	A	B	C	D	E	F	F	G	CONST. REF.
VALVE TYPE : 23103, 23203										
12	1/2"	65	50	142	57	124	29	68	15	69
20	3/4"	84	64	163	63	130	32	68	17	70
25	1"	110	95	185	80	146	40	68	25	71



TERMINAL BOX/ Ex d/ LARGE ENCLOSURE, TYPE 16, 19, 37, 39, 58, 58LT

NW	K (PORT SIZE)	A	B	C	D	E	F	F	G	CONST. REF.
VALVE TYPE : 23103, 23203										
12	1/2"	65	50	142	57	124	29	97	15	69
20	3/4"	84	64	163	63	130	32	97	17	70
25	1"	110	95	185	80	146	40	97	25	71