

A230 - Dixon High Pressure Red Saturated Steam Hose 18 Bar



| Technical Characteristics | |
|---------------------------|--|
| Application | High pressure saturated steam hose for high temperatures. Used in petrochemical plants/ refineries for maintenance and pipe insulation |
| Cover | Red mandrel wrap, ozone and weather resistant pin pricked EPDM. (Also available in black) |
| Branding | DIXON LOGO, A230 SUPER STEAM 18 BAR - SF 10:1 BS5342 A2 1985 (Black Stripe) |
| Reinforcement | 2 ply multi stranded high tensile strength steel wires |
| Lining | Black EPDM |
| Temperature | From -40°C to +210°C. Intermittent 232°C |
| Safety Factor | 10:1 |

| Sizes | | | | | |
|----------|----------|----------------------------|--------------------------|----------------------|-----------------|
| I.D (mm) | O.D (mm) | Max Working Pressure (Bar) | Min Burst Pressure (Bar) | Min Bend Radius (mm) | Weight (Kg/Mtr) |
| 13 | 25 | 18 | 180 | 130 | 0.53 |
| 19 | 32 | 18 | 180 | 190 | 0.76 |
| 25 | 38 | 18 | 180 | 250 | 1.00 |
| 32 | 46 | 18 | 180 | 320 | 1.30 |
| 38 | 54 | 18 | 180 | 380 | 1.65 |
| 51 | 67 | 18 | 180 | 500 | 2.20 |

A235BK - Dixon Black Saturated Steam Hose 7 Bar



| Technical Characteristics | |
|---------------------------|---|
| Application | Saturated steam hose for high temperatures. Used in petrochemical plants/refineries for maintenance and pipe insulation |
| Cover | Black mandrel wrap, ozone and weather resistant pin pricked EPDM |
| Branding | DIXON LOGO, A235 Saturated Steam 7 BAR SF 10:1 170 deg C BS5122 A2 |
| Reinforcement | High tensile strength textile plies |
| Lining | Black EPDM |
| Temperature | From -20°C to +170°C |
| Safety Factor | 10:1 |

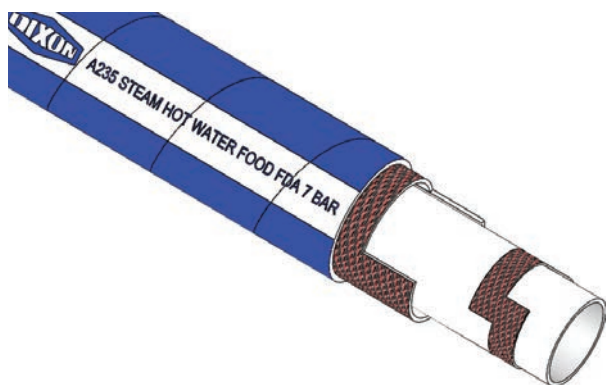
| Sizes | | | | | |
|----------|----------|----------------------------|--------------------------|----------------------|-----------------|
| I.D (mm) | O.D (mm) | Max Working Pressure (Bar) | Min Burst Pressure (Bar) | Min Bend Radius (mm) | Weight (Kg/Mtr) |
| 13 | 25 | 7 | 70 | 91 | 0.40 |
| 19 | 32 | 7 | 70 | 133 | 0.60 |
| 25 | 40 | 7 | 70 | 175 | 0.80 |

STEAM IS DANGEROUS. WE STRONGLY RECOMMEND THE USE OF GENUINE DIXON BOSS STEAM COUPLINGS AND CLAMPS. ONLY HOSE FITTINGS, CLAMPS AND ACCESSORIES APPROVED FOR STEAM SERVICE SHOULD BE USED.

All Hose Assemblies compliant with Pressure Equipment Directive 2014/68/EU

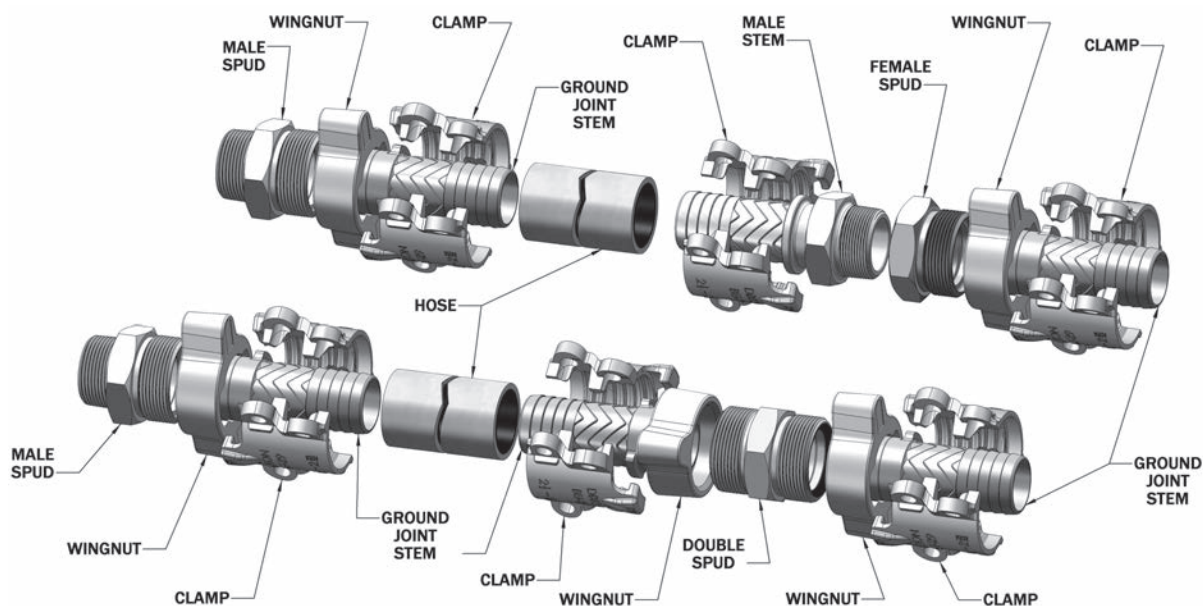
We reserve the right to change hose specifications without prior notice

A235BU - Dixon Steam, Hot Water & Food Hose 7 Bar



| Technical Characteristics | |
|---------------------------|--|
| Application | Multi-purpose steam, hot water and food hose. Used in food & beverage industry |
| Cover | Blue mandrel wrap, ozone and weather resistant pin pricked EPDM |
| Branding | DIXON LOGO, A235 STEAM HOT WATER FOOD FDA 7 BAR |
| Reinforcement | High tensile strength textile plies |
| Lining | White food grade EPDM rubber FDA approved compounds |
| Temperature | From -20°C to +170°C (STEAM) +95°C (HOT WATER) |
| Safety Factor | 10:1 |

| Sizes | | | | | |
|----------|----------|----------------------------|--------------------------|----------------------|-----------------|
| I.D (mm) | O.D (mm) | Max Working Pressure (Bar) | Min Burst Pressure (Bar) | Min Bend Radius (mm) | Weight (Kg/Mtr) |
| 13 | 24 | 7 | 70 | 91 | 0.40 |
| 16 | 28 | 7 | 70 | 112 | 0.50 |
| 19 | 32 | 7 | 70 | 133 | 0.60 |
| 25 | 39 | 7 | 70 | 175 | 0.80 |



STEAM IS DANGEROUS. WE STRONGLY RECOMMEND THE USE OF GENUINE DIXON BOSS STEAM COUPLINGS AND CLAMPS. ONLY HOSE FITTINGS, CLAMPS AND ACCESSORIES APPROVED FOR STEAM SERVICE SHOULD BE USED.

All Hose Assemblies compliant with Pressure Equipment Directive 2014/68/EU

We reserve the right to change hose specifications without prior notice

