

TC-100-AC (NSBon-40) Thermoelectric Cooler or Thermoelectric Assembly is designed to remove heat around critical components within an electrical enclosure with IP66 / NEMA4 protection category. This is a thermoelectric module (thermoelectric air conditioner) using the Peltier effect. The thermoelectric modules create a temperature difference between the internal and ambient heat sinks. It makes internal air colder while heat is dissipating into the external environment. Fans help the transfer of heating from the heat sinks.

The main advantages of Thermoelectric Cooler over conventional compressor are:

- it can be controlled electronically;
- it is easily reversible when the current is reversed;
- it can work in harsh environments:
 - in high ambient temperatures or heavily polluted ambient air;
 - in application with vibrations or strong accelerations.

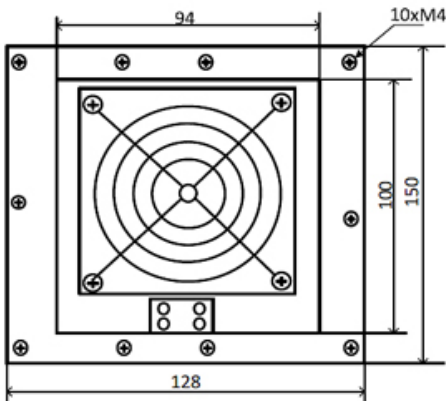
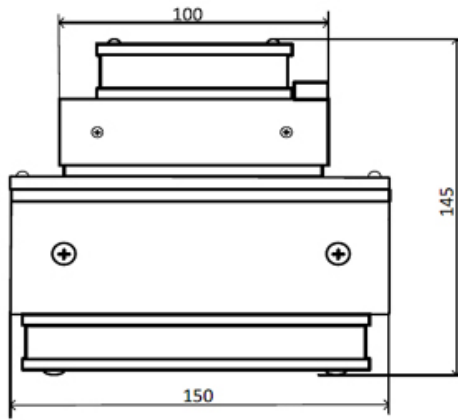
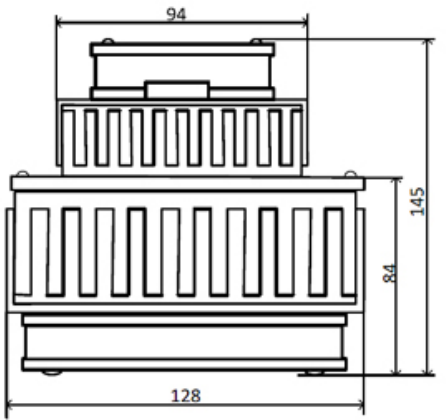
* No need for additional power supply. This is the main advantage of Cover AC Series, since the power supply takes up a lot of space and emits extra heat, which must be compensated.

Technical Data NSBon-40

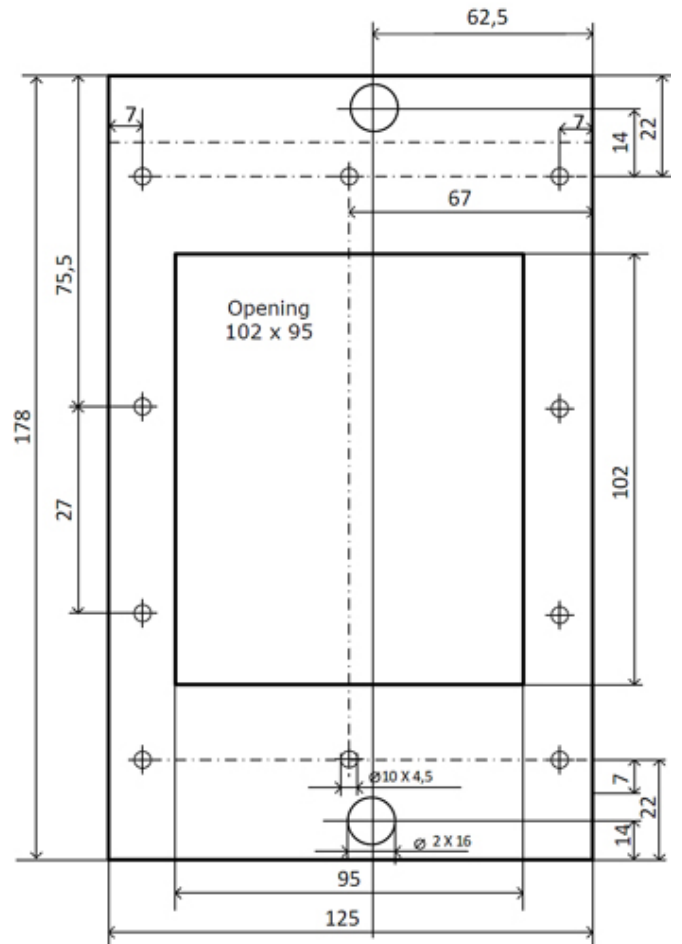
Supply voltage : 90-305 VAC
Rated input : 100 W
Max. input current : 4 A
Protection category outer side (warm) : IP66
Protection category internal side (cold): IP20
Operating temperature range: -40°C to 70°C
Storage temperature range : -40°C to 70°C
Dimensions: 245 x 175 x 142 mm
Weight (without protective housing): 3 kg
Weight (with protective housing): 3,5 kg
Fitting position: Variable



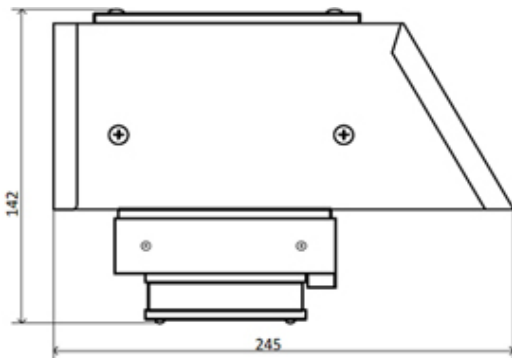
Main dimensions without Protective housing:



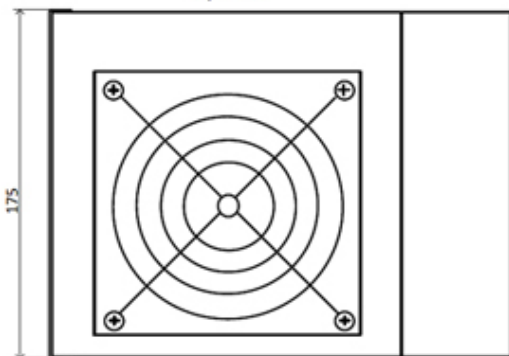
The necessary opening for installation:



Main dimensions with Protective housing:



Top view



Bottom view

