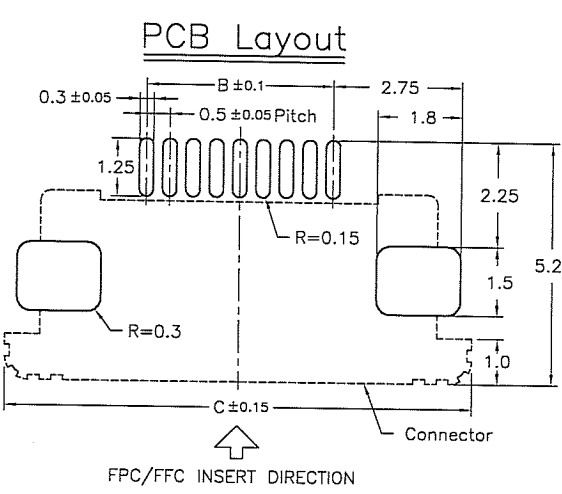
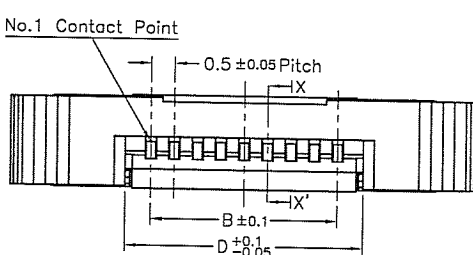
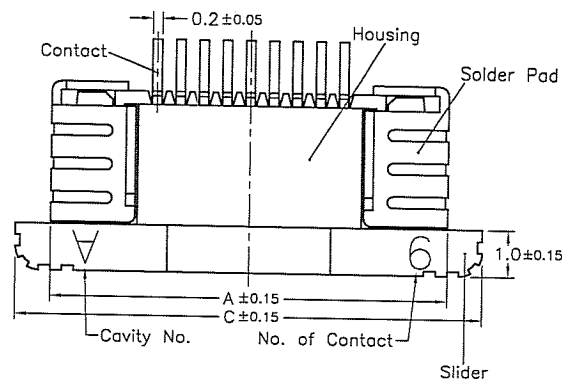
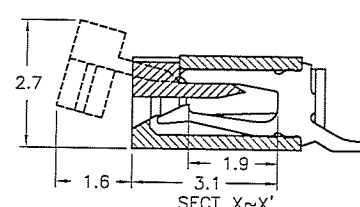
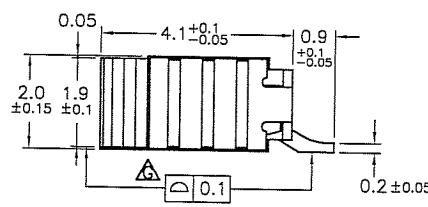


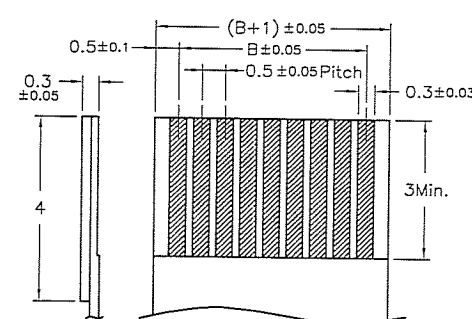
	1	2	3	4	
	No. of Contacts	DIM. A	DIM. B	DIM. C	DIM. D
F	4	6	1.5	7.5	2.6
	5	6.5	2	8	3.1
	6	7	2.5	8.5	3.6
	7	7.5	3	9	4.1
	8	8	3.5	9.5	4.6
	9	8.5	4	10	5.1
	10	9	4.5	10.5	5.6
	11	9.5	5	11	6.1
	12	10	5.5	11.5	6.6
E	13	10.5	6	12	7.1
	14	11	6.5	12.5	7.6
	15	11.5	7	13	8.1
	16	12	7.5	13.5	8.6
	17	12.5	8	14	9.1
	18	13	8.5	14.5	9.6
	19	13.5	9	15	10.1
	20	14	9.5	15.5	10.6
D	21	14.5	10	16	11.1
	22	15	10.5	16.5	11.6
	23	15.5	11	17	12.1
	24	16	11.5	17.5	12.6
	25	16.5	12	18	13.1
	26	17	12.5	18.5	13.6
	27	17.5	13	19	14.1
	28	18	13.5	19.5	14.6
C	29	18.5	14	20	15.1
	30	19	14.5	20.5	15.6
	31	19.5	15	21	16.1
	32	20	15.5	21.5	16.6
	33	20.5	16	22	17.1
	34	21	16.5	22.5	17.6
	35	21.5	17	23	18.1
	36	22	17.5	23.5	18.6
B	37	22.5	18	24	19.1
	38	23	18.5	24.5	19.6
	39	23.5	19	25	20.1
	40	24	19.5	25.5	20.6
	41	24.5	20	26	21.1
	42	25	20.5	26.5	21.6
	43	25.5	21	27	22.1
	44	26	21.5	27.5	22.6
	45	26.5	22	28	23.1
A	46	27	22.5	28.5	23.6
	47	27.5	23	29	24.1
	48	28	23.5	29.5	24.6
	49	28.5	24	30	25.1
	50	29	24.5	30.5	25.6



NOTE:  
 1.MATERIAL:  
 HOUSING:LCP  
 SLIDER:LCP  
 CONTACTS:PHOSPHOR BRONZE  
 SOLDER PAD:BRASS  
 2.PLATING:  
 CONTACTS:SEE ORDERING INFORMATION  
 SOLDER PAD:SEE ORDERING INFORMATION  
 3.RATING:  
 OPERATING VOLTAGE:50V  
 CURRENT RATING:0.4A  
 OPERATING TEMPERATURE:-55°C ~ +85°C  
 4.ORDER INFORMATION  
 FPCTF-B XX XX WC X 0-P917  
 0:TUBE  
 1:REEL  
 TT:TIN OVER NICKEL (LEAD FREE)  
 01:1u" GOLD FLASH  
 NO OF CONTACT



Applicable FPC



DIMENSION IN mm [Inch]		PROD. SPEC.	C  KINGFONT PRECISION INDUSTRIAL CO., LTD.	
TOLERANCE UNLESS OTHERWISE SPECIFIED		PKG. SPEC.	TITLE FPC/FFC CONNECTOR CUSTOMER DRAWING	
.X±0.30	X'±	APPROVE <i>Gum</i>	FILE NO.	DWG NO. FPCTF-BXXXXWCX0-P917
.XX±0.20	.X'±	CHECK <i>Evah</i>	SIZE A4	PROJ.  SHEET 1 / 3
.XXX±0.10	.XX'±	DRAW Evah	SCALE 1:1	REV C

REV	MODIFICATION	DATE	DRAW
B	EN-12-1010	101.10.26	Stacy
C	EN-13-0611	2013.06.25	EvanTeng

No. of Contacts	Part Number	DIM. A	DIM. B	DIM. C
4 ↓ 23	FPCTF-B04TTWC10-P917 ↓ FPCTF-B23TTWC10-P917	24	11.5	—
24 ↓ 33	FPCTF-B24TTWC10-P917 ↓ FPCTF-B33TTWC10-P917	32	14.2	28.4
34 ↓ 50	FPCTF-B34TTWC10-P917 ↓ FPCTF-B50TTWC10-P917	44	20.2	40.4

**Note:**

- 1.10 sprocket hole pitch cumulative tolerance  $\pm 0.2$
2. Carrier camber is within 1 mm in 100mm.
3. Material : Black Conductive Polystyrene Alloy  
100% recyclable.
4. All dimensions meet EIA-481-B requirements.
5. Thickness :  $0.3 \pm 0.05$ mm.
6. Component load per 13" reel : 2000 pcs.
7. For tape width (dimension A) 24mm and hole is provided on one side.  
For tape width (dimension A) 32mm and 44mm pilot holes are provided on both sides.

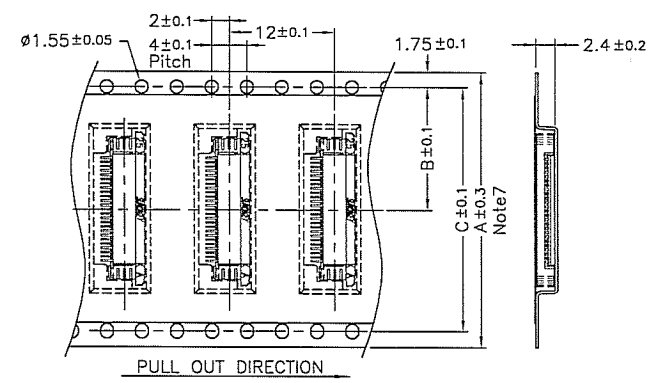
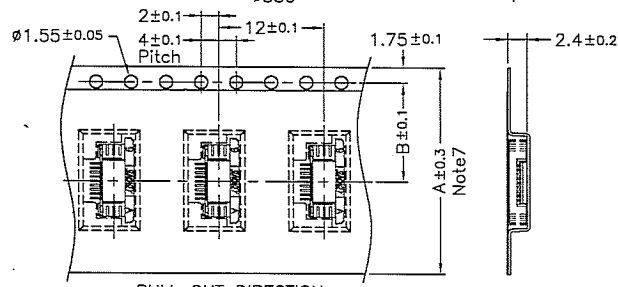
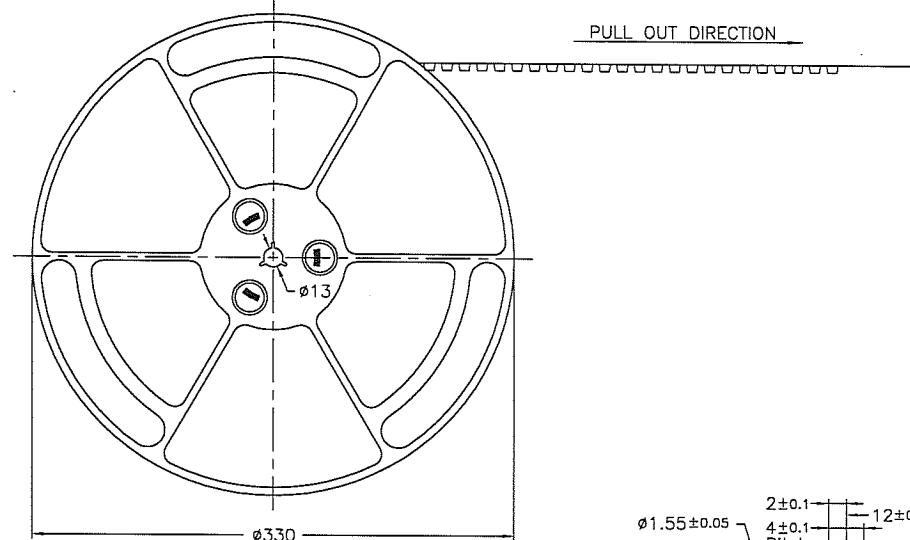
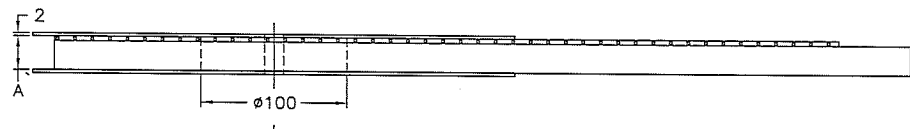
**8. ORDER INFORMATION**

FPCTF-B XX XX WC X 0-P917

0:TUBE  
1:REEL

TT:TIN OVER NICKEL (LEAD FREE)  
01:1u" GOLD FLASH

NO OF CONTACT

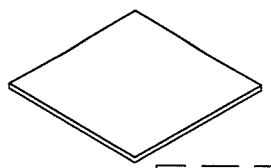


DIMENSION IN mm [Inch]	PROD. SPEC.	C  KINGFONT PRECISION INDUSTRIAL CO., LTD.	
TOLERANCE UNLESS OTHERWISE SPECIFIED	PKG. SPEC.	TITLE FPC/FFC CONNECTOR CUSTOMER DRAWING	
.X±0.30 X'±	APPROVE <i>Grom</i>	FILE NO.	DWG NO. FPCTF-BXXXXWCX0-P917
.XX±0.20 .X'±	CHECK <i>32</i>	SIZE A4	PROJ.  SHEET 2 / 3
.XXX±0.10 .XX'±	DRAW <i>Evan</i>	SCALE 1:1	REV C

1 2 3 4 5 6 7 8

REV	MODIFICATION	DATE	DRAW
B	EN-12-1010	101.10.26	Stacy
C	EN-13-0611	2013.06.25	EvanTeng

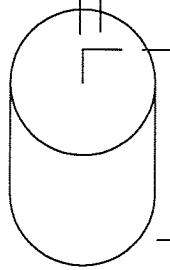
紙板(上)  
PASTEBOARD(UPPER)  
(2)



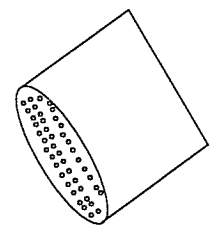
乾燥劑  
DRYING AGENT  
(5)



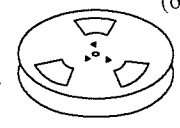
塑膠袋  
PLASTIC BAG  
(4)



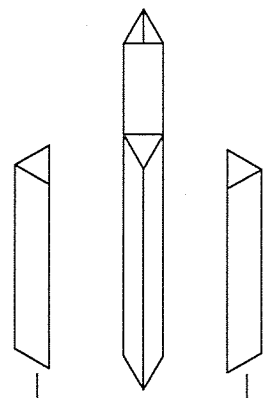
氣泡袋  
BUBBLE BAG  
(7)



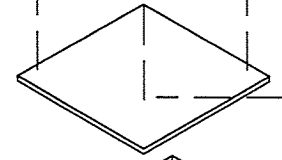
TAPE & REEL  
(6)



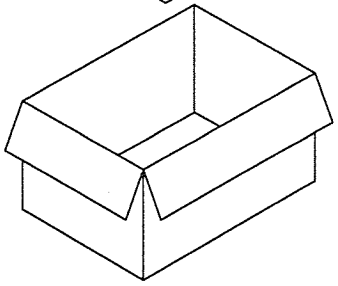
三角隔板  
TRIANGLE PARTITION  
(3)



紙板(下)  
PASTEBOARD(LOWER)  
(2)



外箱  
(Carton)  
(1)



NO.OF CONTACTS	(1)外箱	(2)紙板	(3)三角隔板	(4)塑膠袋	(5)乾燥劑	(6)塑膠圓盤	(7)氣泡袋
4 → 23	1	2	4	1	1	7	7
24 → 33						6	12
34 → 50						5	10

DIMENSION IN mm [Inch]	PROD. SPEC.	C  KINGFONT PRECISION INDUSTRIAL CO., LTD.	
TOLERANCE UNLESS OTHERWISE SPECIFIED	PKG. SPEC.	TITLE FPC/FFC CONNECTOR CUSTOMER DRAWING	
.X±0.30 X'±	APPROVE <i>Ev</i>	FILE NO.	DWG NO. FPCTF-BXXXXWCX0-P917
.XX±0.20 .X'±	CHECK <i>SL</i>	SIZE A4	PROJ.  SHEET 3 / 3
.XXX±0.10 .XX'±	DRAW <i>Evan</i>	SCALE 1:1	REV C

1 2 3 4 5 6 7 8 QR-2100-043