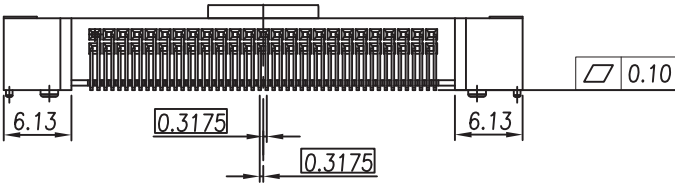
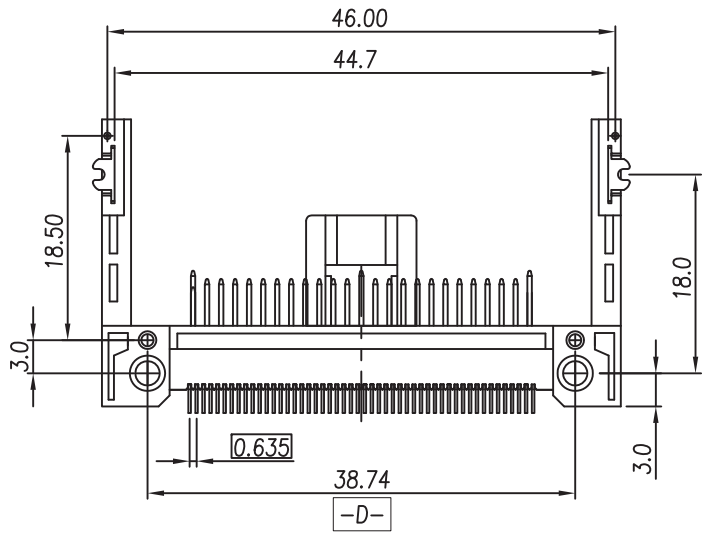
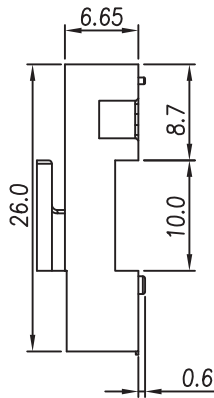
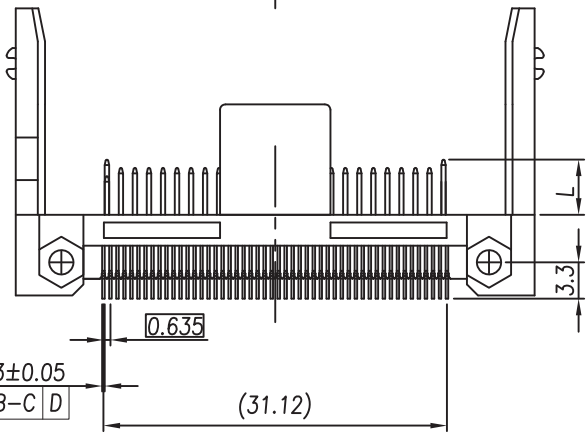
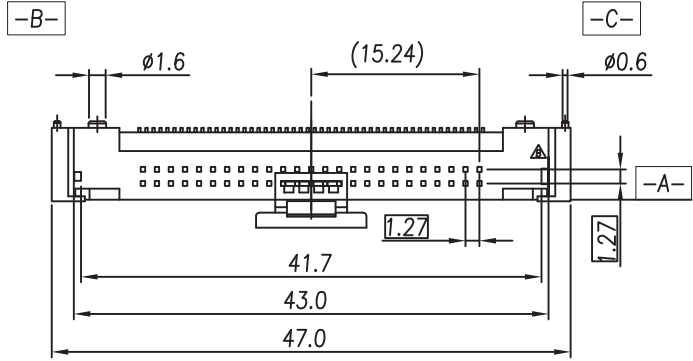


1 2 3 4 5 6 7 8

Pin Type	Interface Dim L	Pin Type	REV	MODIFICATION	DATE	DRAW
Detect	3.5 mm	25,26				
General	4.25 mm	All Other Pins				
Power	5.0 mm	1,13,38,50				



DIMENSION IN mm [Inch]		PROD. SPEC. SP0028	KINGFONT PRECISION INDUSTRIAL CO., LTD.	
TOLERANCE UNLESS OTHERWISE SPECIFIED		PKG. SPEC. PPP-CFC-006	TITLE CF CARD CONN. TYPE1,2 STAND-OFF 2.0mm NORMAL TYPE	CUSTOMER DRAWING
.X±0.30	X.*± 1'	APPROVE Gary	FILE NO. KFP-028	DWG NO. CFCMD-45TxxW100-DC
.XX±0.20	.X.*± 0.5'	CHECK [Signature]	SIZE A4	PROJ. SHEET 1 / 2
.XXX±0.10	.XX.*± 0.25'	DRAW [Signature]	SCALE 1:1	REV A

1 2 3 4 5 6 7 8 QR-2100-043