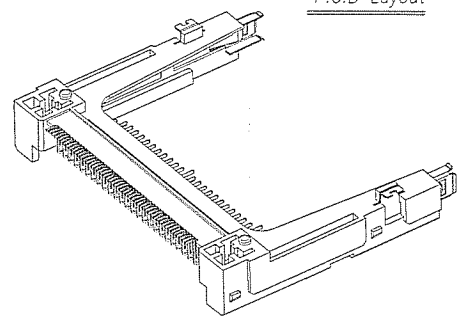
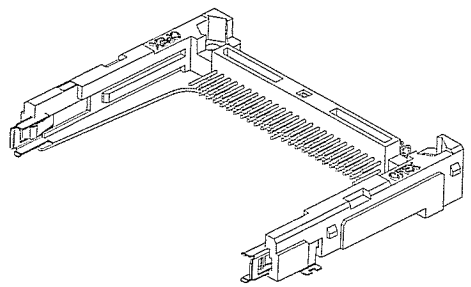
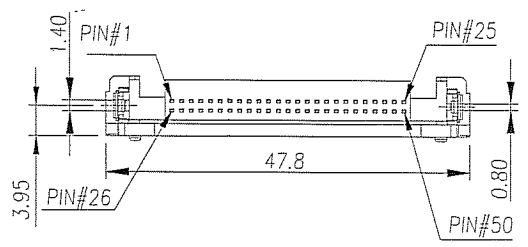
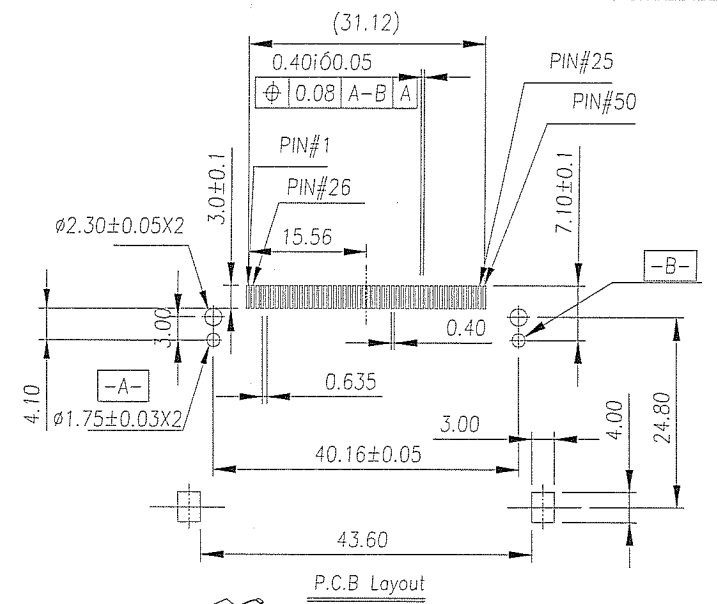
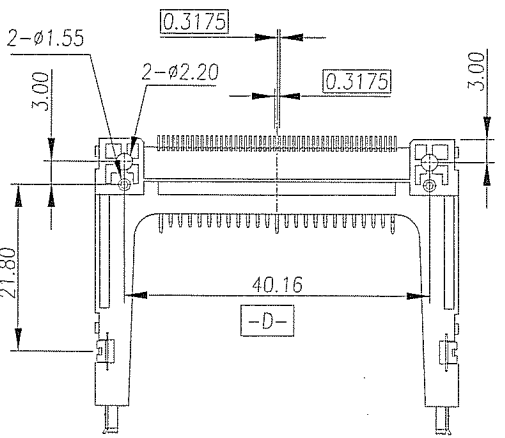
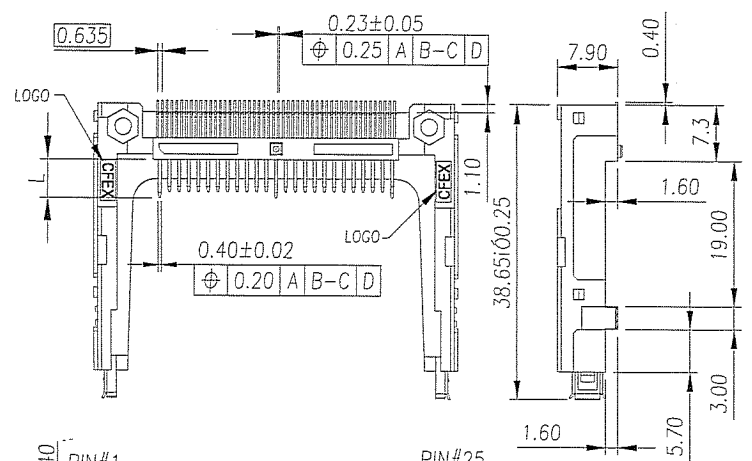
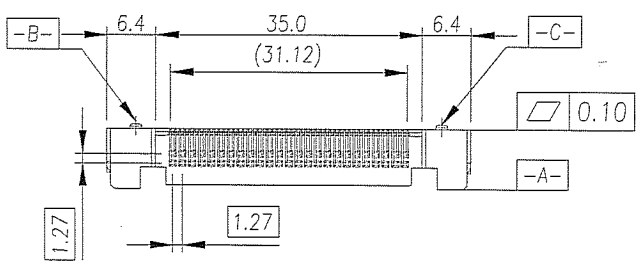


Pin Type	Interface Dim L	Pin Type	REV	MODIFICATION	DATE	DRAW
Detect	3.5 mm	25,26				
General	4.25 mm	All Other Pins				
Power	5.0 mm	1,13,38,50				



Ordering Information:

CFCMD - 3 5 T XX W 2 0 X
 Pin No. TYPE 2 T : Comply to RoHS Contact Area Plating: 15-15U" Gold Plating.
 Color: W-White. L : WITHOUT LOGO M : WITH LOGO 0 : NORMAL TYPE STAND OFF 2 : 1.60mm

SPECIFICATIONS:
 HOUSING : High Temperature Plastic, UL 94V-0
 CONTACT : Copper Alloys
 VOLTAGE RATING : 100VAC
 CURRENT RATING : 0.5A
 CONTACT RESISTANCE:40 m Ohm max.
 INSULATION RESISTANCE:1000M Ohm min.
 DIELECTRIC STRENGTH : 500VAC/1min
 OPERATION TEMPERATURE : -40°C~85°C

DIMENSION IN mm [Inch]		PROD. SPEC SP0025	KINGFONT KINGFONT PRECISION INDUSTRIAL CO., LTD.	
TOLERANCE UNLESS OTHERWISE SPECIFIED		PKG. SPEC. PPP-CFC-005	TITLE CF TYPE2 ,50PIN SMT NORMAL TYPE STAND-OFF 1.60mm.	CUSTOMER DRAWING
.X±0.30	X."± 1"	APPROVE <i>Gam</i>	FILE NO. KFP-025	DWG NO. CFCMD-35TXXW20X
.XX±0.20	.X"± 0.5"	CHECK <i>Ming</i>	SIZE A4	PROJ. SHEET 1 / 1
.XXX±0.10	.XX"± 0.25"	DRAW <i>Lond</i>	SCALE 1:1	REV A