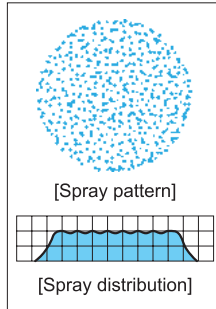


Clog-resistant Vaneless Full Cone Spray Nozzles

AJP/AJP-PPS

Full Cone



[Features]

- Full cone spray pattern with a round impact area and uniform distribution.
- Unique design to produce fine atomization by liquid impinging inside chamber without a whirler.
- No-whirler design with large free passage diameter minimizes clogging.
- Spraying axis 90° from the axis of the nozzle inlet.
- High chemical and wear resistant AJP-PPS series is available for spraying hydrochloric acid and other chemicals.

[Standard pressure] 0.2 MPa

[Applications]

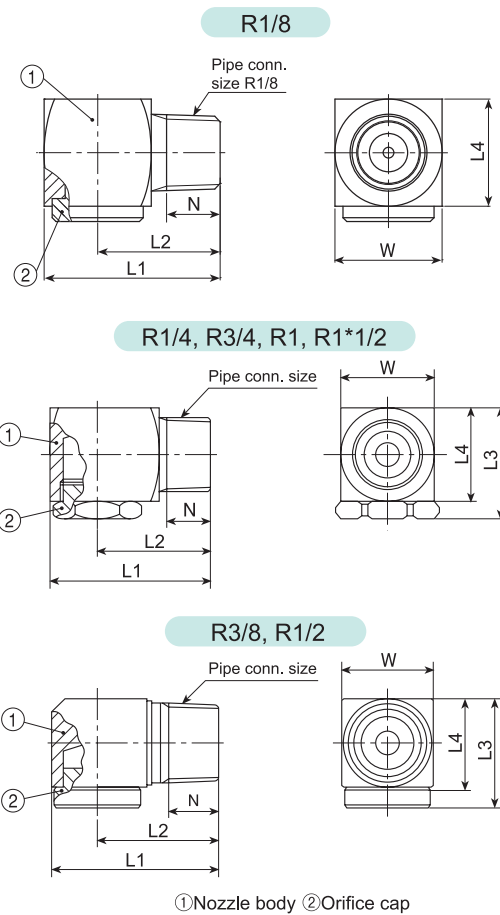
Cleaning: Pre-painting treatment, washing booths, machine parts, gas, incinerator fumes
 Cooling: Steel plates, copper pieces, gas
 Spraying: Aeration, foam breaking
 Others: Applications where re-circulated water is being used or clogging is a concern

AJP series

AJP series	
Structure	<ul style="list-style-type: none"> • Comprises a nozzle body and orifice cap. • Orifice cap for sizes R1/8, R3/8, and R1/2 is pressed into the nozzle body. Orifice cap for the other sizes are screw-in type. • No obstructions in nozzle interior.
Material	<ul style="list-style-type: none"> • Body: S304, S303, or SCS13 (vary by the spray capacity code) • Orifice cap: S303 • Optional material: S316

Pipe conn. size	Dimensions (mm)						Mass (g)
	L1	L2	L3	L4	W	N	
R1/8	23	16	14	—	14	7	25
R1/4	32	23	20.5	16	16	10.5	55
R3/8	36	26	23.5	19	20	11	70
R1/2	46	33.5	31	25	25	14	180
R3/4	55	39	38	32	32	15	340
R1	70	50	48	40	40	18	670
R1*1/2	100	70	72	58.5	58.5	20	2,400

[Note] Appearance and dimensions may differ slightly depending on materials and nozzle codes.

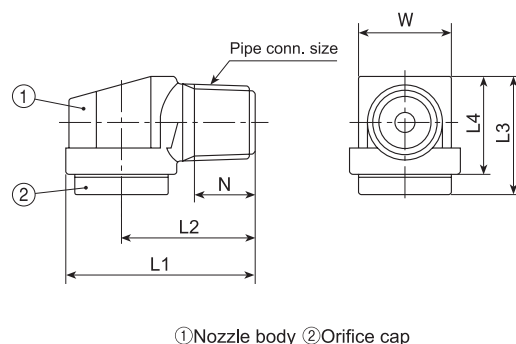


AJP-PPS series

AJP-PPS series	
Structure	<ul style="list-style-type: none"> • Comprises an injection-molded nozzle body and orifice cap. • Orifice cap is ultrasonically welded to the nozzle body. • No obstructions in nozzle interior.
Material	<ul style="list-style-type: none"> • PPS

Pipe conn. size	Dimensions (mm)						Mass (g)
	L1	L2	L3	L4	W	N	
R1/4	32.5	23	20.5	17	16	10.5	6.8
R3/8	37	26	23	20	19	11	10.3

[Note] Appearance and dimensions may differ slightly depending on materials and nozzle codes.



Clog-resistant Vaneless Full Cone Spray Nozzles AJP/AJP-PPS series

Full Cone

Spray capacity code	Pipe connection size								Spray angle (°)			Spray capacity (ℓ/min)						Mean drop. dia. (μm)	Free pass. dia. (mm)	
	AJP (metal)							AJP-PPS	0.05 MPa	0.2 MPa	0.5 MPa	0.03 MPa	0.05 MPa	0.1 MPa	0.15 MPa	0.2 MPa	0.3 MPa			0.5 MPa
	R1/8	R1/4	R3/8	R1/2	R3/4	R1	R 1*1/2	R1/4												
02	○								64	75	69	—	1.02	1.43	1.74	2.00	2.35	2.89	640	1.6
03	○								65	75	69	—	1.53	2.14	2.61	3.00	3.53	4.33		1.9
04		○							65	75	68	1.59	2.04	2.86	3.48	4.00	4.70	5.77	}	2.2
05		○							65	75	68	1.99	2.55	3.57	4.35	5.00	5.88	7.21		2.5
06		○							70	80	73	2.39	3.06	4.29	5.22	6.00	7.06	8.66	}	2.8
07		○							70	80	73	2.79	3.57	5.00	6.09	7.00	8.23	10.1		3.1
08			○						70	80	73	3.19	4.08	5.71	6.96	8.00	9.54	11.9	}	3.2
10			○						70	80	73	3.98	5.10	7.14	8.70	10.0	11.9	14.9		3.7
12			○						75	85	78	4.78	6.12	8.57	10.4	12.0	14.3	17.9	}	4.1
14			○						75	85	78	5.57	7.14	10.0	12.2	14.0	16.7	20.9		4.5
16			○						75	85	78	6.37	8.16	11.4	13.9	16.0	19.1	23.8	}	5.0
18				○					76	85	79	7.17	9.18	12.9	15.7	18.0	21.6	27.1		5.1
20				○					76	85	79	7.96	10.2	14.3	17.4	20.0	23.9	30.1	}	5.4
23				○					76	85	79	9.16	11.7	16.4	20.0	23.0	27.5	34.6		6.0
26				○					76	85	79	10.4	13.3	18.6	22.6	26.0	31.1	39.1	}	6.5
30				○					76	85	79	11.9	15.3	21.4	26.1	30.0	35.9	45.1		7.1
35				○					83	90	85	13.9	17.9	25.0	30.4	35.0	41.9	52.6	}	7.8
40				○					83	90	85	15.9	20.4	28.6	34.8	40.0	47.9	60.1		8.5
45				○					83	90	85	17.9	23.0	32.1	39.1	45.0	53.9	67.6	}	9.2
50				○					83	90	85	19.9	25.5	35.7	43.5	50.0	59.9	75.1		9.8
55					○				83	90	85	21.9	28.1	39.3	47.8	55.0	65.9	82.6	}	9.6
60					○				83	90	85	23.9	30.6	42.9	52.2	60.0	71.8	90.2		10.1
70					○				83	90	85	27.9	35.7	50.0	60.9	70.0	83.8	105	}	11.2
80					○				83	90	85	31.9	40.8	57.1	69.6	80.0	95.8	120		12.2
90					○				83	90	85	35.8	45.9	64.3	78.3	90.0	108	135	}	13.0
100						○			83	90	85	39.8	51.0	71.4	87.0	100	120	150		1,120
120						○			83	90	85	47.8	61.2	85.7	104	120	144	180	}	14.8
150						○			83	90	85	59.7	76.5	107	130	150	180	225		17.4
180							○		83	90	85	71.7	91.8	129	157	180	216	270	}	17.8
200							○		83	90	85	79.6	102	143	174	200	239	301		1,280
250							○		83	90	85	99.5	128	179	217	250	299	376	1,350	22.3

How to order

Please inquire or order for a specific nozzle using this coding system.

① AJP series (Metal)

〈Example〉 1/4M AJP 04 S303

1/4M AJP 04 S303

Pipe conn. size*	Spray capacity code
■ 1/8M	■ 02
}	}
■ 1*1/2M	■ 250

② AJP-PPS series (Plastic)

〈Example〉 3/8M AJP 08 PPS

3/8M AJP 08 PPS

Pipe conn. size*	Spray capacity code
■ 1/4M	■ 04
■ 3/8M	}
	■ 16

**M" indicates male thread ("R" of the ISO standard) and "F" indicates female thread ("Rc" of the ISO standard), e.g. 1/8M = R1/8.