

E-LINE TKS

TRUNKING SYSTEMS



Pre-galvanized
Hot Dip Galvanized
Trunking Systems



TKS

E-Line TKS

Trunking Cable
Tray and Modules

TKS-ID
Concave Module

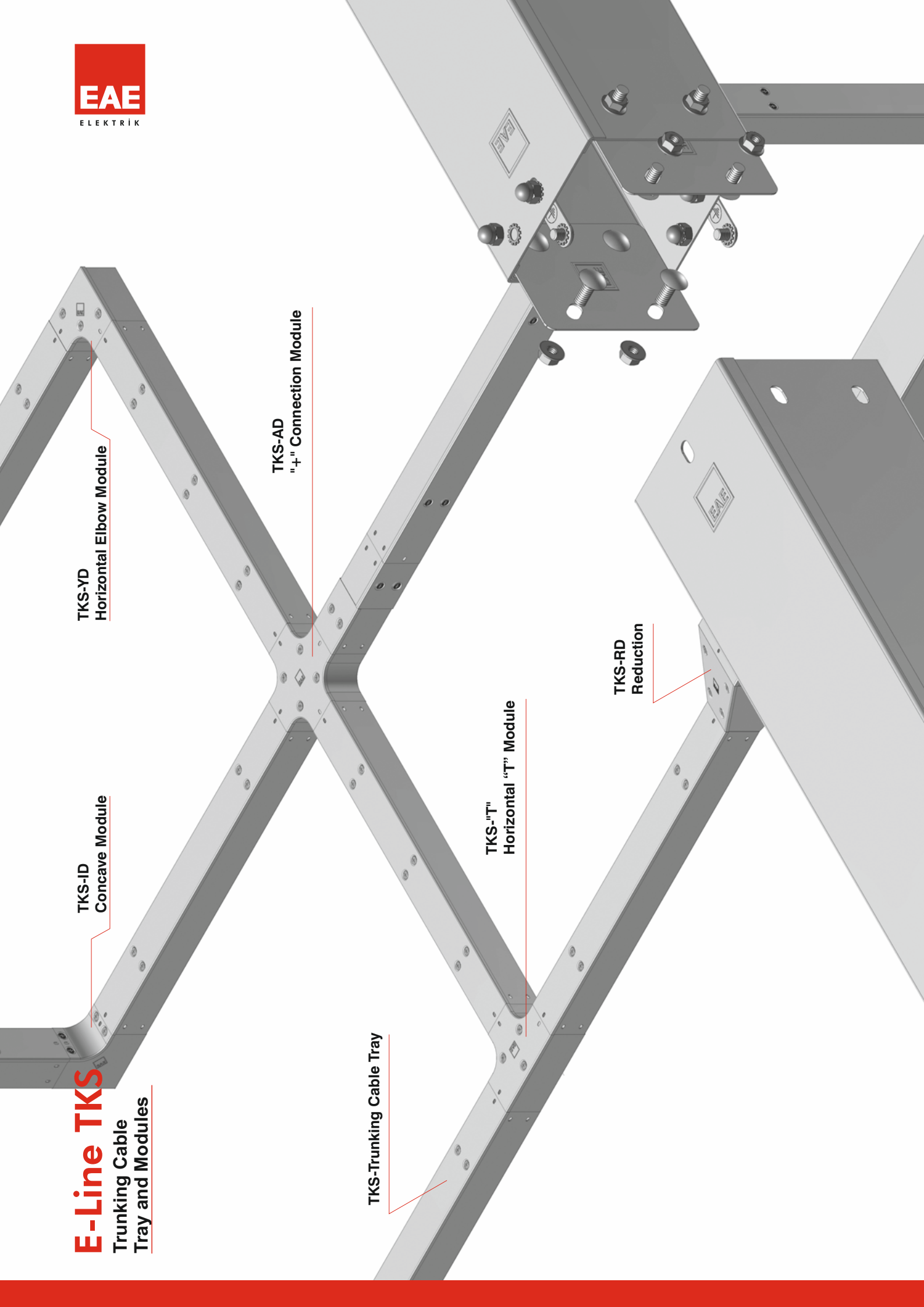
TKS-YD
Horizontal Elbow Module

TKS-AD
"+" Connection Module

TKS-Trunking Cable Tray

TKS-"T"
Horizontal "T" Module

TKS-RD
Reduction





CONTENTS

2	TKS Trunking System
3-10	TKS Trunking System Fitting Modules
11	TKS Socket Plate
12	TKS Trunking Accessories
13	TKS End Cover
14-15	TKS Trunking Support

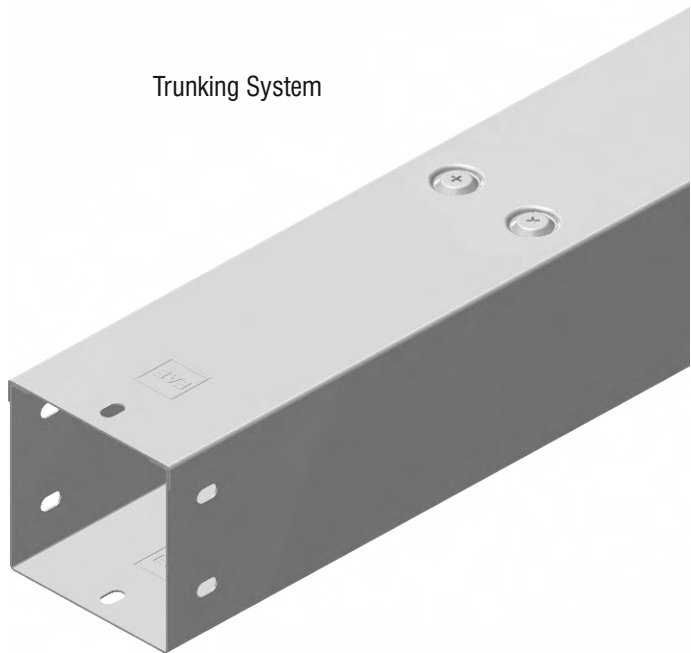
TRUNKING SYSTEMS

▶▶ TKS TRUNKING STRAIGHT LENGTH

Pre-galvanized (TS EN 10346 - TS EN 10143)

Description	H (mm)	A (mm)	T (mm)	Weight (kg./m.)	Order Code
050 TKS 050	50	50	1,2	2,279	3001967
050 TKS 075	50	75	1,2	2,754	3001969
075 TKS 075	75	75	1,2	3,224	3001971
075 TKS 100	75	100	1,2	3,612	3001973
100 TKS 100	100	100	1,2	4,168	3001975
100 TKS 150	100	150	1,2	5,109	3001977
100 TKS 200	100	200	1,5	7,528	3001979
150 TKS 150	150	150	1,5	7,478	3001981

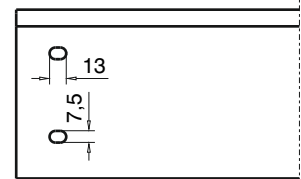
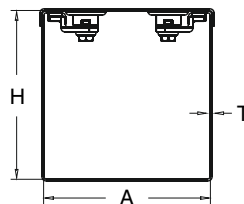
Trunking System



▶▶ TKS TRUNKING STRAIGHT LENGTH

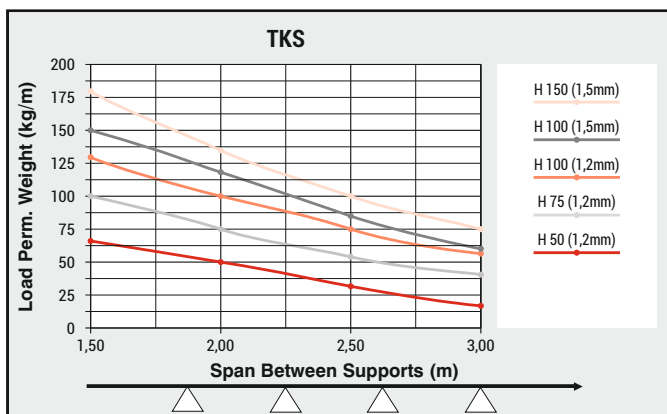
Hot Dip Galvanized After Fabrication (TS EN ISO 1461)

Description	H (mm)	A (mm)	T (mm)	Weight (kg./m.)	Order Code
050 TKS 050	50	50	1,2	2,504	3001966
050 TKS 075	50	75	1,2	3,026	3001968
075 TKS 075	75	75	1,2	3,543	3001970
075 TKS 100	75	100	1,2	3,970	3001972
100 TKS 100	100	100	1,2	4,581	3001974
100 TKS 150	100	150	1,2	5,616	3001976
100 TKS 200	100	200	1,5	8,277	3001978
150 TKS 150	150	150	1,5	8,222	3001980



H=050, H=075: single joint hole
 H=100 double joint holes
 H=150 triple joint holes

Sample Order:
 Height (H): 75 mm,
 Tray Width (A): 100 mm,
 Sheet Metal Thickness (T): 1,2 mm,
 Type of Coating (P): Pre-galvanized,
 Module Type: Trunking Cable Tray



■ There may be +/- differences in carriage values depending on steel plate tolerance and steel plate hardness value. Please immediately contact your customer representative for detailed information.

- In case of requested product can be produced as stainless steel.
- Please indicate order code in your orders.
- Please contact us for special modules.
- Material weights may vary by ± 10%

■ Standard length is 3000 mm.

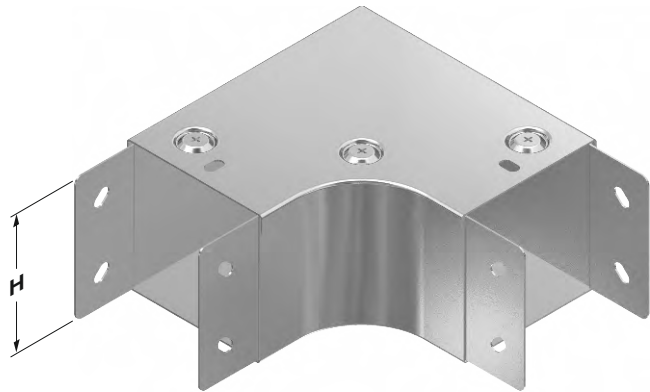
Description Order Code
075 TKS 100 - 3001973



►► TKS HORIZONTAL ELBOW MODULE (90°) R=50

Pre-galvanized (TS EN 10346 - TS EN 10143)

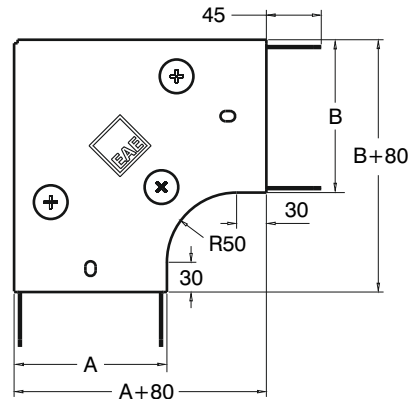
Description	H (mm)	AB (mm)	T (mm)	Weight (kg./pc.)	Order Code
050 TKS 050 YD	50	50	1,2	0,583	3001987
050 TKS 075 YD	50	75	1,2	0,795	3001989
075 TKS 075 YD	75	75	1,2	0,904	3001991
075 TKS 100 YD	75	100	1,2	1,089	3001993
100 TKS 100 YD	100	100	1,2	1,250	3001995
100 TKS 150 YD	100	150	1,2	1,745	3001997
100 TKS 200 YD	100	200	1,5	2,925	3001999
150 TKS 150 YD	150	150	1,5	2,633	3002001



►► TKS HORIZONTAL ELBOW MODULE (90°) R=50

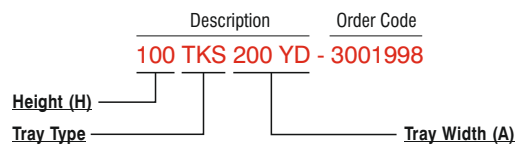
Hot Dip Galvanized After Fabrication (TS EN ISO 1461)

Description	H (mm)	AB (mm)	T (mm)	Weight (kg./pc.)	Order Code
050 TKS 050 YD	50	50	1,2	0,641	3001986
050 TKS 075 YD	50	75	1,2	0,875	3001988
075 TKS 075 YD	75	75	1,2	0,994	3001990
075 TKS 100 YD	75	100	1,2	1,198	3001992
100 TKS 100 YD	100	100	1,2	1,375	3001994
100 TKS 150 YD	100	150	1,2	1,920	3001996
100 TKS 200 YD	100	200	1,5	3,218	3001998
150 TKS 150 YD	150	150	1,5	2,896	3002000



H=050, H=075: single joint hole
 H=100 double joint holes
 H=150 triple joint holes

Sample Order:
 Height (H): 100 mm,
 Tray Width (A): 200 mm,
 Sheet Metal Thickness (T): 1,5 mm,
 Type of Coating (B): Hot Dip Galvanized
 Module Type: Horizontal Elbow Module (90°)

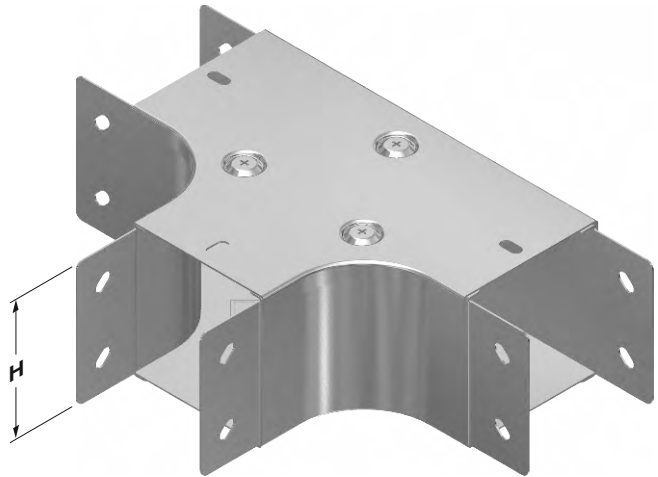


- In case of requested product can be produced as stainless steel.
- Please indicate order code in your orders.
- Please contact us for special modules.
- Material weights may vary by ± 10%



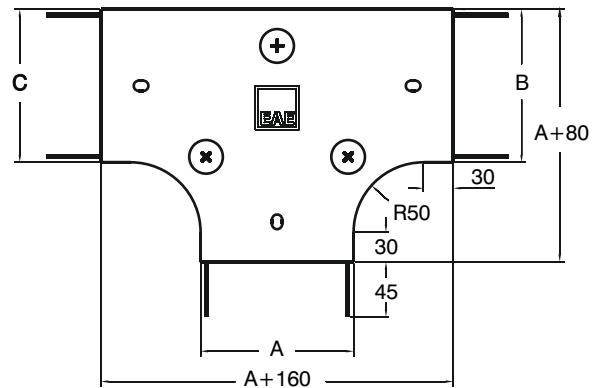
►► TKS "T" MODULE (90°) **R=50**
Pre-galvanized (TS EN 10346 - TS EN 10143)

Description	H (mm)	ABC (mm)	T (mm)	Weight (kg/pc)	Order Code
050 TKS 050 YT	50	50	1,2	0,775	3002007
050 TKS 075 YT	50	75	1,2	0,951	3002009
075 TKS 075 YT	75	75	1,2	1,135	3002011
075 TKS 100 YT	75	100	1,2	1,347	3002013
100 TKS 100 YT	100	100	1,2	1,534	3002015
100 TKS 150 YT	100	150	1,2	2,057	3002017
100 TKS 200 YT	100	200	1,5	3,315	3002019
150 TKS 150 YT	150	150	1,5	3,041	3002021



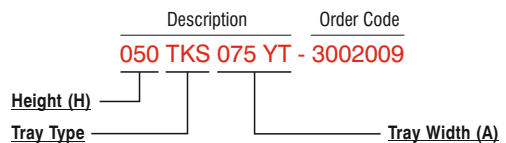
►► TKS "T" MODULE (90°) **R=50**
Hot Dip Galvanized After Fabrication (TS EN ISO 1461)

Description	H (mm)	ABC (mm)	T (mm)	Weight (kg/pc)	Order Code
050 TKS 050 YT	50	50	1,2	0,853	3002006
050 TKS 075 YT	50	75	1,2	1,046	3002008
075 TKS 075 YT	75	75	1,2	1,249	3002010
075 TKS 100 YT	75	100	1,2	1,482	3002012
100 TKS 100 YT	100	100	1,2	1,687	3002014
100 TKS 150 YT	100	150	1,2	2,263	3002016
100 TKS 200 YT	100	200	1,5	3,647	3002018
150 TKS 150 YT	150	150	1,5	3,345	3002020



H=050, H=075 single line perforated
H=100 double line perforated
H=150 triple line perforated

Sample Order:
Height (H): 50 mm,
Tray Width (A): 75 mm,
Sheet Metal Thickness (T): 1,2 mm,
Type of Coating (P): Pre-galvanized,
Module Type: "T" Module 90°

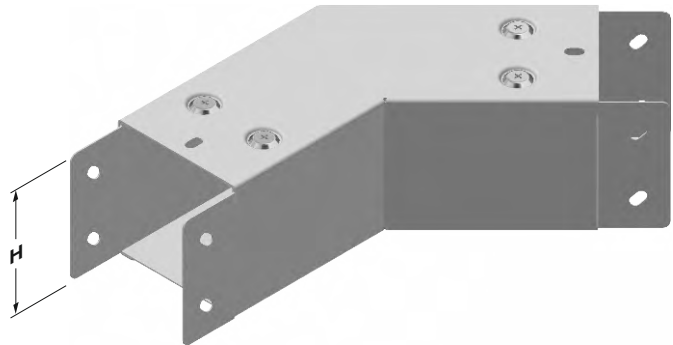


- In case of requested product can be produced as stainless steel.
- Please indicate order code in your orders.
- Please contact us for special modules.
- Material weights may vary by ± 10%

►► TKS HORIZONTAL ELBOW MODULE (45°) R=50

Pre-galvanized (TS EN 10346 - TS EN 10143)

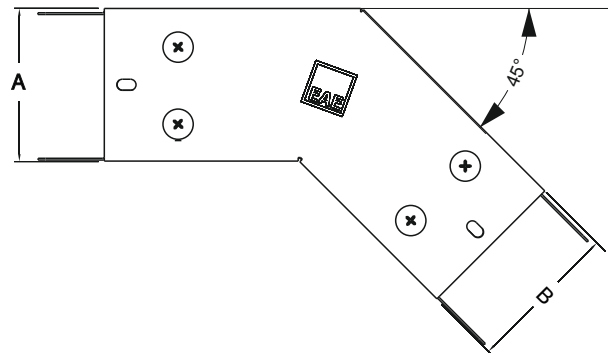
Description	H (mm)	ABC (mm)	T (mm)	Weight (kg./pc.)	Order Code
050 TKS 050 YD	50	50	1,2	0,773	3110267
050 TKS 075 YD	50	75	1,2	0,939	3110268
075 TKS 075 YD	75	75	1,2	1,122	3110269
075 TKS 100 YD	75	100	1,2	1,303	3110270
100 TKS 100 YD	100	100	1,2	1,488	3110271
100 TKS 150 YD	100	150	1,2	1,867	3110272
100 TKS 200 YD	100	200	1,5	2,565	3110273
150 TKS 150 YD	150	150	1,5	2,469	3110274



►► TKS HORIZONTAL ELBOW MODULE (45°) R=50

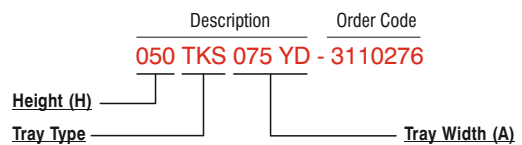
Hot Dip Galvanized After Fabrication (TS EN ISO 1461)

Description	H (mm)	ABC (mm)	T (mm)	Weight (kg./pc.)	Order Code
050 TKS 050 YD	50	50	1,2	0,850	3110275
050 TKS 075 YD	50	75	1,2	1,033	3110276
075 TKS 075 YD	75	75	1,2	1,234	3110277
075 TKS 100 YD	75	100	1,2	1,433	3110278
100 TKS 100 YD	100	100	1,2	1,637	3110279
100 TKS 150 YD	100	150	1,2	2,054	3110280
100 TKS 200 YD	100	200	1,5	2,822	3110281
150 TKS 150 YD	150	150	1,5	2,716	3110282



H=050, H=075: single joint hole
 H=100 double joint holes
 H=150 triple joint holes

Sample Order:
 Height (H): 50 mm,
 Tray Width (A): 75 mm,
 Sheet Metal Thickness (T): 1,2 mm,
 Type of Coating (S): Hot Dip Galvanized
 Module Type: Horizontal Elbow Module

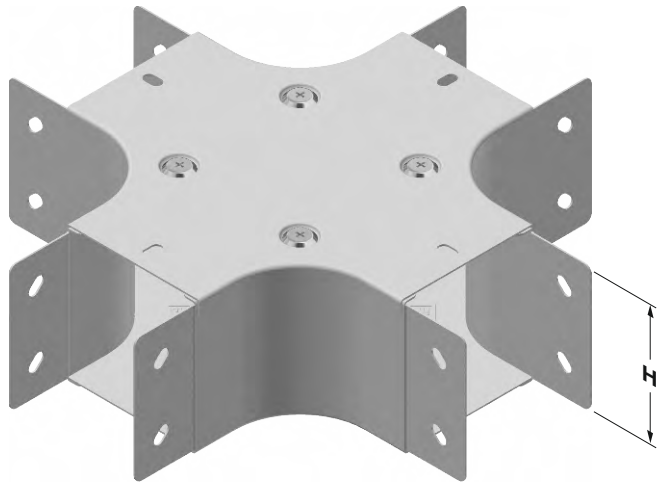


- In case of requested product can be produced as stainless steel.
- Please indicate order code in your orders.
- Please contact us for special modules.
- Material weights may vary by ± 10%

►► TKS "+" CONNECTION MODULE R=50

Pre-galvanized (TS EN 10346 - TS EN 10143)

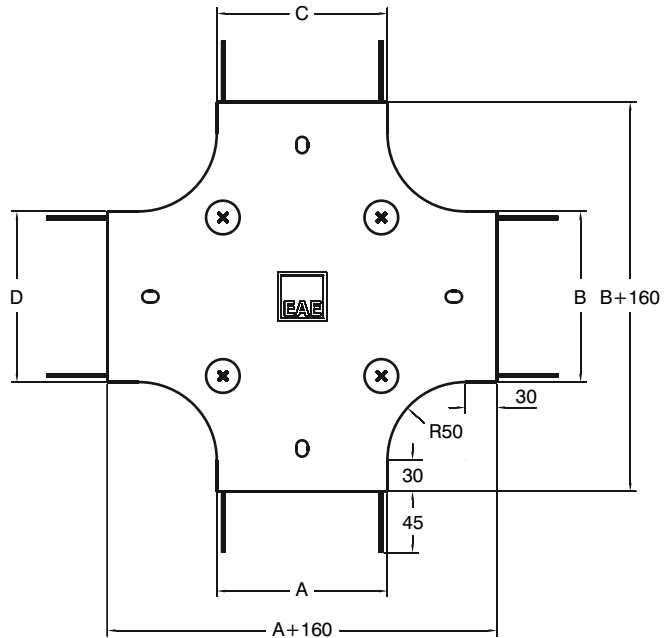
Description	H (mm)	ABCD (mm)	T (mm)	Weight (kg/pc)	Order Code
050 TKS 050 AD	50	50	1,2	0,945	3002027
050 TKS 075 AD	50	75	1,2	1,138	3002029
075 TKS 075 AD	75	75	1,2	1,354	3002031
075 TKS 100 AD	75	100	1,2	1,588	3002033
100 TKS 100 AD	100	100	1,2	1,790	3002035
100 TKS 150 AD	100	150	1,2	2,900	3002037
100 TKS 200 AD	100	200	1,5	3,676	3002039
150 TKS 150 AD	150	150	1,5	3,410	3002041



►► TKS "+" CONNECTION MODULE R=50

Hot Dip Galvanized After Fabrication (TS EN ISO 1461)

Description	H (mm)	ABCD (mm)	T (mm)	Weight (kg/pc)	Order Code
050 TKS 050 AD	50	50	1,2	1,040	3002026
050 TKS 075 AD	50	75	1,2	1,252	3002028
075 TKS 075 AD	75	75	1,2	1,489	3002030
075 TKS 100 AD	75	100	1,2	1,747	3002032
100 TKS 100 AD	100	100	1,2	1,969	3002034
100 TKS 150 AD	100	150	1,2	3,190	3002036
100 TKS 200 AD	100	200	1,5	4,044	3002038
150 TKS 150 AD	150	150	1,5	3,751	3002040



H=050, H=075: single joint hole
 H=100 double joint holes
 H=150 triple joint holes

Sample Order:
 Height (H): 75 mm,
 Tray Width (A): 75 mm,
 Sheet Metal Thickness (T): 1,2 mm,
 Type of Coating (S): Hot Dip Galvanized,
 Module Type: "+" Connection Module

Description Order Code
075 TKS 075 AD - 3002030

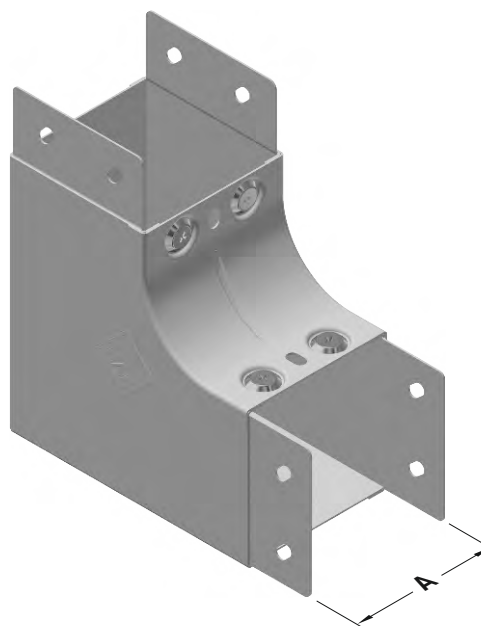


- In case of requested product can be produced as stainless steel.
- Please indicate order code in your orders.
- Please contact us for special modules.
- Material weights may vary by ± 10%

►► **TKS CONCAVE MODULE (90°) R=50**

Pre-galvanized (TS EN 10346 - TS EN 10143)

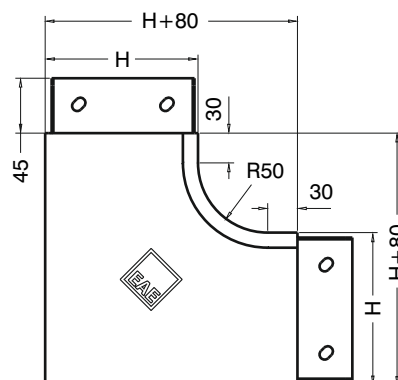
Description	H (mm)	A (mm)	T (mm)	Weight (kg/pc)	Order Code
050 TKS 050 ID	50	50	1,2	0,554	3002047
050 TKS 075 ID	50	75	1,2	0,641	3002049
075 TKS 075 ID	75	75	1,2	0,861	3002051
075 TKS 100 ID	75	100	1,2	0,914	3002053
100 TKS 100 ID	100	100	1,2	1,214	3002055
100 TKS 150 ID	100	150	1,2	1,556	3002057
100 TKS 200 ID	100	200	1,5	2,069	3002059
150 TKS 150 ID	150	150	1,5	2,209	3002061



►► **TKS CONCAVE MODULE (90°) R=50 ***

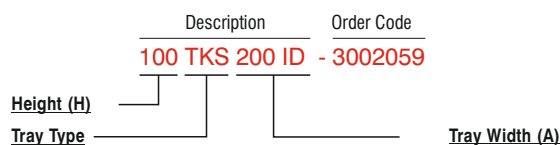
Hot Dip Galvanized After Fabrication (TS EN ISO 1461)

Description	H (mm)	A (mm)	T (mm)	Weight (kg/pc)	Order Code
050 TKS 050 ID	50	50	1,2	0,609	3002046
050 TKS 075 ID	50	75	1,2	0,705	3002048
075 TKS 075 ID	75	75	1,2	0,947	3002050
075 TKS 100 ID	75	100	1,2	1,005	3002052
100 TKS 100 ID	100	100	1,2	1,335	3002054
100 TKS 150 ID	100	150	1,2	1,712	3002056
100 TKS 200 ID	100	200	1,5	2,276	3002058
150 TKS 150 ID	150	150	1,5	2,430	3002060



H=050, H=075: single joint hole
 H=100 double joint holes
 H=150 triple joint holes

Sample Order:
 Height (H): 100 mm,
 Tray Width (A): 200 mm,
 Sheet Metal Thickness (T): 1,5 mm,
 Type of Coating (P): Pre-galvanized,
 Module Type: Concave Module 90°

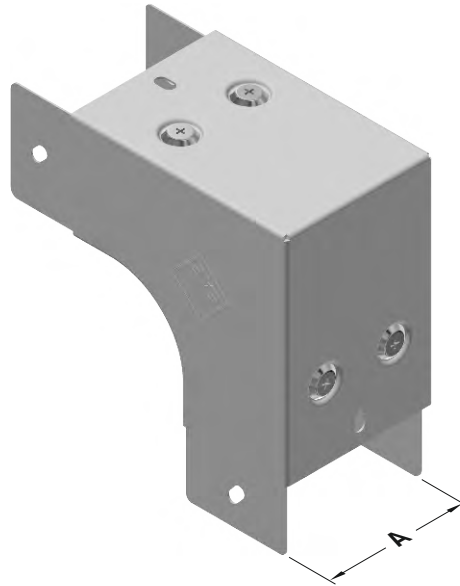


- In case of requested product can be produced as stainless steel.
- Please indicate order code in your orders.
- Please contact us for special modules.
- Material weights may vary by ± 10%



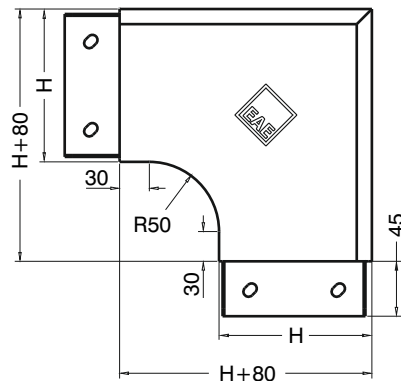
►► **TKS CONVEX MODULE (90°) R=50**
Pre-galvanized (TS EN 10346 - TS EN 10143)

Description	H (mm)	A (mm)	T (mm)	Weight (kg/pc)	Order Code
050 TKS 050 DD	50	50	1,2	0,571	3002067
050 TKS 075 DD	50	75	1,2	0,662	3002069
075 TKS 075 DD	75	75	1,2	0,889	3002071
075 TKS 100 DD	75	100	1,2	0,996	3002073
100 TKS 100 DD	100	100	1,2	1,254	3002075
100 TKS 150 DD	100	150	1,2	1,848	3002077
100 TKS 200 DD	100	200	1,5	2,130	3002079
150 TKS 150 DD	150	150	1,5	2,655	3002081



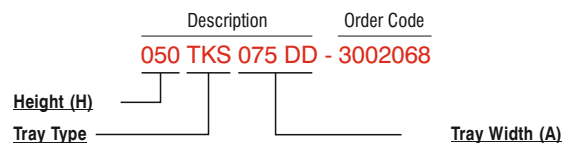
►► **TKS CONVEX MODULE (90°) R=50**
Hot Dip Galvanized After Fabrication (TS EN ISO 1461)

Description	H (mm)	A (mm)	T (mm)	Weight (kg/pc)	Order Code
050 TKS 050 DD	50	50	1,2	0,628	3002066
050 TKS 075 DD	50	75	1,2	0,728	3002068
075 TKS 075 DD	75	75	1,2	0,978	3002070
075 TKS 100 DD	75	100	1,2	1,096	3002072
100 TKS 100 DD	100	100	1,2	1,379	3002074
100 TKS 150 DD	100	150	1,2	2,033	3002076
100 TKS 200 DD	100	200	1,5	2,343	3002078
150 TKS 150 DD	150	150	1,5	2,921	3002080



H=050, H=075: single joint hole
H=100 double joint holes
H=150 triple joint holes

Sample Order:
Height (H): 200 mm,
Tray Width (A): 200 mm,
Sheet Metal Thickness (T): 1,2 mm,
Type of Coating (S): Hot Dip Galvanized,
Module Type: Convex Module 90°

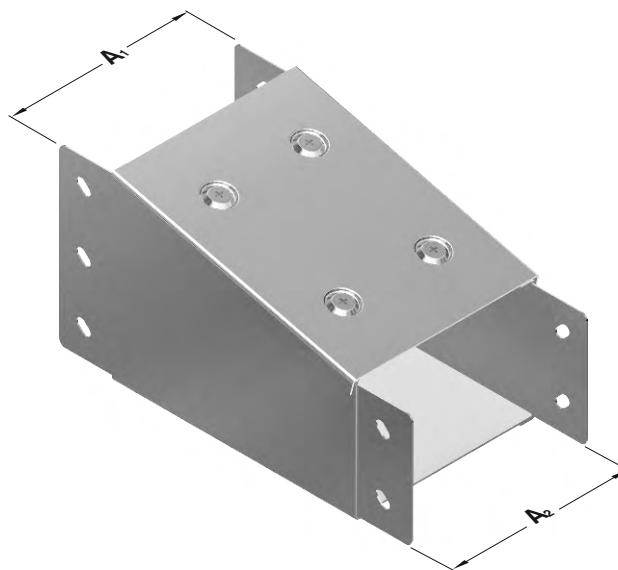


- In case of requested product can be produced as stainless steel.
- Please indicate order code in your orders.
- Please contact us for special modules.
- Material weights may vary by ± 10%

►► **TKS REDUCTION**

Pre-galvanized (TS EN 10346 - TS EN 10143)

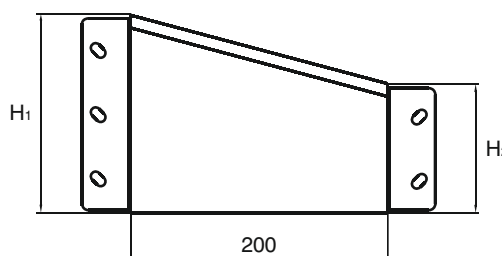
Description	H ₁ A ₁ (mm)	H ₂ A ₂ (mm)	T (mm)	Weight (kg/pc)	Order Code
TKS RD 1	50x75	50x50	1,2	0,611	3002151
TKS RD 2	75x75	50x75	1,2	0,715	3002149
TKS RD 3	75x100	50x75	1,2	0,766	3002147
TKS RD 4	75x100	75x75	1,2	0,847	3002145
TKS RD 5	100x100	75x75	1,2	0,916	3002143
TKS RD 6	100x100	75x100	1,2	0,963	3002141
TKS RD 7	100x150	75x100	1,2	1,058	3002139
TKS RD 8	100x150	100x100	1,2	1,124	3002137
TKS RD 9	100x200	100x100	1,5	1,227	3002135
TKS RD 10	100x200	100x150	1,5	1,634	3002133
TKS RD 11	150x150	100x150	1,5	1,781	3002131
TKS RD 12	150x150	100x200	1,5	1,802	3002129



►► **TKS REDUCTION ***

Hot Dip Galvanized After Fabrication (TS EN ISO 1461)

Description	H ₁ A ₁ (mm)	H ₂ A ₂ (mm)	T (mm)	Weight (kg/pc)	Order Code
TKS RD 1	50x75	50x50	1,2	0,672	3002150
TKS RD 2	75x75	50x75	1,2	0,787	3002148
TKS RD 3	75x100	50x75	1,2	0,843	3002146
TKS RD 4	75x100	75x75	1,2	0,932	3002144
TKS RD 5	100x100	75x75	1,2	1,008	3002142
TKS RD 6	100x100	75x100	1,2	1,059	3002140
TKS RD 7	100x150	75x100	1,2	1,164	3002138
TKS RD 8	100x150	100x100	1,2	1,236	3002136
TKS RD 9	100x200	100x100	1,5	1,350	3002134
TKS RD 10	100x200	100x150	1,5	1,797	3002132
TKS RD 11	150x150	100x150	1,5	1,959	3002130
TKS RD 12	150x150	100x200	1,5	1,982	3002128

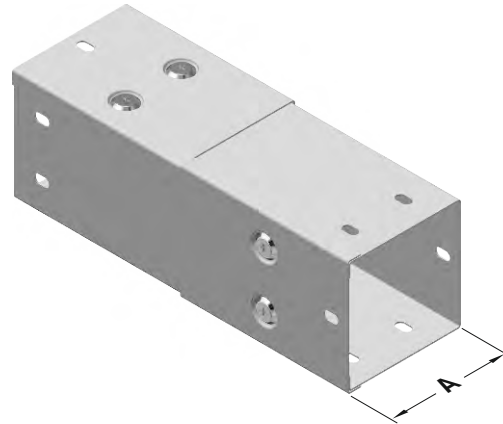


- In case of requested product can be produced as stainless steel.
- Please indicate order code in your orders.
- Please contact us for special modules.
- Material weights may vary by ± 10%

►► **TKS CHANGE FACE RIGHT**

Pre-galvanized (TS EN 10346 - TS EN 10143)

Description	H (mm)	A (mm)	T (mm)	Weight (kg/pc)	Order Code
050 TKS 050 YDM	50	50	1,2	0,666	3002153
075 TKS 075 YDM	75	75	1,2	0,960	3002155
100 TKS 100 YDM	100	100	1,2	1,246	3002157
150 TKS 150 YDM	150	150	1,5	2,224	3002159



►► **TKS CHANGE FACE RIGHT**

Hot Dip Galvanized After Fabrication (TS EN ISO 1461)

Description	H (mm)	A (mm)	T (mm)	Weight (kg/pc)	Order Code
050 TKS 050 YDM	50	50	1,2	0,733	3002152
075 TKS 075 YDM	75	75	1,2	1,056	3002154
100 TKS 100 YDM	100	100	1,2	1,371	3002156
150 TKS 150 YDM	150	150	1,5	2,446	3002158

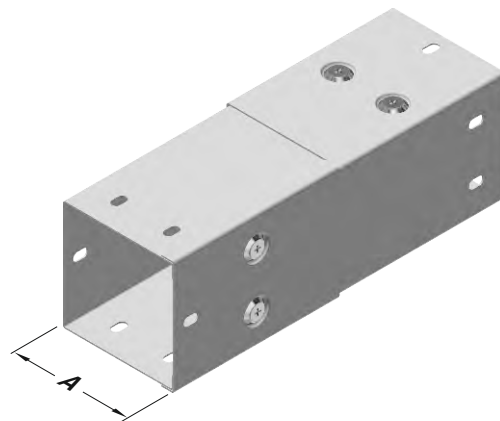


H=050, H=075: single joint hole
 H=100 double joint holes
 H=150 triple joint holes

►► **TKS CHANGE FACE LEFT**

Pre-galvanized (TS EN 10346 - TS EN 10143)

Description	H (mm)	A (mm)	T (mm)	Weight (kg/pc)	Order Code
050 TKS 050 YDM	50	50	1,2	0,706	3002163
075 TKS 075 YDM	75	75	1,2	1,009	3002165
100 TKS 100 YDM	100	100	1,2	1,299	3002167
150 TKS 150 YDM	150	150	1,5	1,850	3002169



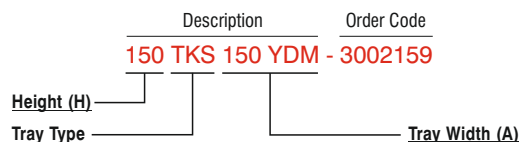
►► **TKS CHANGE FACE LEFT ***

Hot Dip Galvanized After Fabrication (TS EN ISO 1461)

Description	H (mm)	A (mm)	T (mm)	Weight (kg/pc)	Order Code
050 TKS 050 YDM	50	50	1,2	0,772	3002162
075 TKS 075 YDM	75	75	1,2	1,104	3002164
100 TKS 100 YDM	100	100	1,2	1,422	3002166
150 TKS 150 YDM	150	150	1,5	2,028	3002168

Sample Order:
 Height (H): 150 mm,
 Tray Width (A): 150 mm,
 Sheet Metal Thickness (T): 1,5 mm,
 Type of Coating (P): Pre-galvanized,
 Module Type: Change Face Right And Left

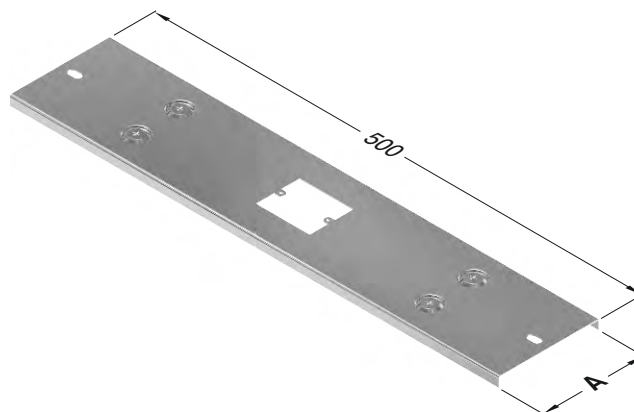
- In case of requested product can be produced as stainless steel.
- Please indicate order code in your orders.
- Please contact us for special modules.
- Material weights may vary by ± 10%



►► **TKS SOCKET PLATE**

Pre-galvanized (TS EN 10346 - TS EN 10143)

Description	A (mm)	T (mm)	Weight (kg/pc)	Order Code
TKS 050 PP	50	1,2	0,348	3002173
TKS 075 PP	75	1,2	0,477	3002175
TKS 100 PP	100	1,2	0,606	3002177
TKS 150 PP	150	1,5	0,842	3002179



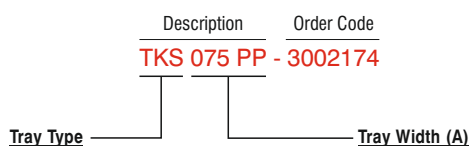
►► **TKS SOCKET PLATE ***

Hot Dip Galvanized After Fabrication (TS EN ISO 1461)

Description	A (mm)	T (mm)	Weight (kg/pc)	Order Code
TKS 050 PP	50	1,2	0,383	3002172
TKS 075 PP	75	1,2	0,525	3002174
TKS 100 PP	100	1,2	0,667	3002176
TKS 150 PP	150	1,5	0,926	3002178

Sample Order:

Tray Width (A): 75 mm,
 Sheet Metal Thickness (T): 1,2 mm,
 Type of Coating (S): Hot Dip Galvanized,
 Module Type: Socket Plate

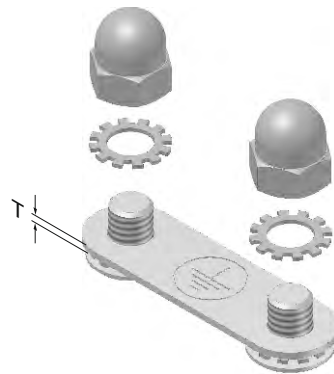


- In case of requested product can be produced as stainless steel.
- Please indicate order code in your orders.
- Please contact us for special modules.
- Material weights may vary by ± 10%

►► **TKS EARTHING LINK**

Copper (EN 1652)

Description	T (mm)	Weight (kg./set.)	Order Code
TKS EARTH LINE	1	0,022	3001730



►► **TKS PULL-OFF DOWEL**

Pre-galvanized (TS EN 10346 - TS EN 10143)

Description	Weight (kg./pc.)	Order Code
PULL-OFF DOWEL JACKETED M6	0,033	5000007



►► **TKS CABLE TRUNKING JOINT SET**

Pre-galvanized (TS EN 10346 - TS EN 10143)

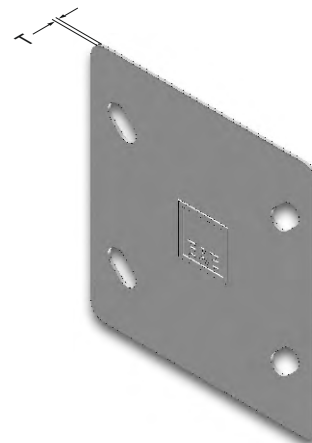
Description	Weight (kg./set.)	Order Code
JOINT SET M6x12 BOLT&NUT	0,009	1004314



►► **TKS JOINT FITTING**

Pre-galvanized (TS EN 10346 - TS EN 10143)

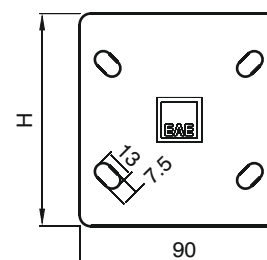
Description	H (mm)	T (mm)	Weight (kg./pc.)	Order Code
050 TKS JOINT FITTING	50	1,2	0,036	3002087
075 TKS JOINT FITTING	75	1,2	0,058	3002089
100 TKS JOINT FITTING	100	1,2	0,077	3002091
150 TKS JOINT FITTING	150	1,2	0,177	3002093



►► **TKS JOINT FITTING**

Hot Dip Galvanized After Fabrication (TS EN ISO 1461)

Description	H (mm)	T (mm)	Weight (kg./pc.)	Order Code
050 TKS JOINT FITTING	50	1,2	0,040	3002086
075 TKS JOINT FITTING	75	1,2	0,064	3002088
100 TKS JOINT FITTING	100	1,2	0,085	3002090
150 TKS JOINT FITTING	150	1,2	0,195	3002092



■ In case of requested product can be produced as stainless steel.

■ Please indicate order code in your orders.

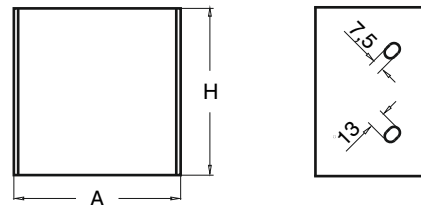
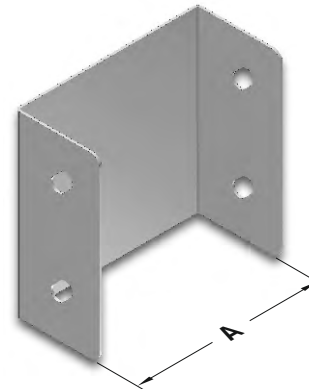
■ Please contact us for special size.

■ Material weights may vary by ± 10%

►► TKS BLIND END

Pre-galvanized (TS EN 10346 - TS EN 10143)

Description	H (mm)	A (mm)	T (mm)	Weight (kg/pc)	Order Code
050 TKS 050 SE	50	50	1,2	0,053	3002097
050 TKS 075 SE	50	75	1,2	0,064	3002099
075 TKS 075 SE	75	75	1,2	0,101	3002101
075 TKS 100 SE	75	100	1,2	0,117	3002103
100 TKS 100 SE	100	100	1,2	0,159	3002105
100 TKS 150 SE	100	150	1,2	0,203	3002107
100 TKS 200 SE	100	200	1,5	0,308	3002109
150 TKS 150 SE	150	150	1,5	0,387	3002111



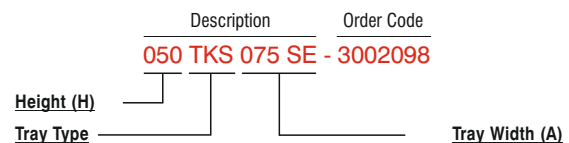
►► TKS BLIND END

Hot Dip Galvanized After Fabrication (TS EN ISO 1461)

Description	H (mm)	A (mm)	T (mm)	Weight (kg/pc)	Order Code
050 TKS 050 SE	50	50	1,2	0,058	3002096
050 TKS 075 SE	50	75	1,2	0,070	3002098
075 TKS 075 SE	75	75	1,2	0,111	3002100
075 TKS 100 SE	75	100	1,2	0,129	3002102
100 TKS 100 SE	100	100	1,2	0,175	3002104
100 TKS 150 SE	100	150	1,2	0,223	3002106
100 TKS 200 SE	100	200	1,5	0,339	3002108
150 TKS 150 SE	150	150	1,5	0,426	3002110

H=050, H=075: single joint hole
 H=100 double joint holes
 H=150 triple joint holes

Sample Order:
 Height (H): 50 mm,
 Tray Width (A): 75 mm,
 Sheet Metal Thickness (T): 1,2 mm,
 Type of Coating (S): Hot Dip Galvanized,
 Module Type: End Cap

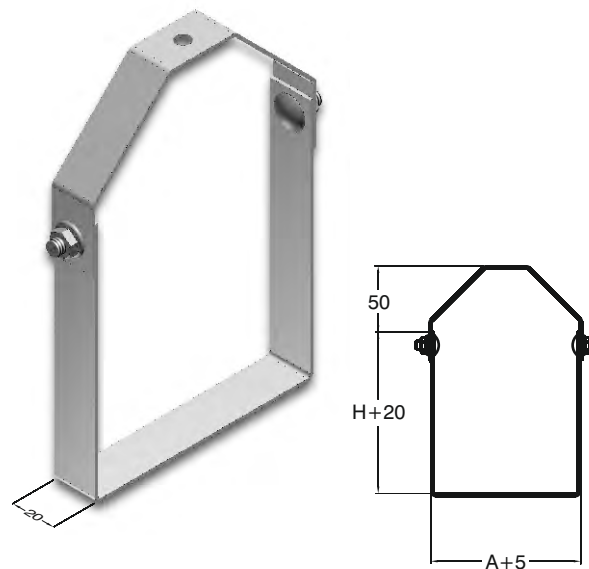


- In case of requested product can be produced as stainless steel.
- Please indicate order code in your orders.
- Please contact us for special size.
- Material weights may vary by $\pm 10\%$

►► **TKS FIXING ELEMENTS**

Pre-galvanized (TS EN 10346 - TS EN 10143)

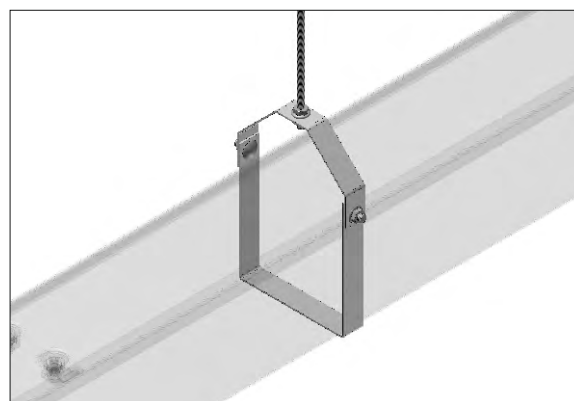
Description	H (mm)	A (mm)	T (mm)	Weight (kg/pc)	Order Code
050 TKS 050 FIXING	70	55	1,5	0,095	3002184
050 TKS 075 FIXING	70	80	1,5	0,103	3002186
075 TKS 075 FIXING	95	80	1,5	0,115	3002188
075 TKS 100 FIXING	95	105	1,5	0,124	3002190
100 TKS 100 FIXING	120	105	1,5	0,136	3002192
100 TKS 150 FIXING	120	155	1,5	0,157	3002194
100 TKS 200 FIXING	120	205	1,5	0,170	3002196
150 TKS 150 FIXING	170	155	1,5	0,180	3002258



►► **TKS FIXING ELEMENTS**

Hot Dip Galvanized After Fabrication (TS EN ISO 1461)

Description	H (mm)	A (mm)	T (mm)	Weight (kg/pc)	Order Code
050 TKS 050 FIXING	70	55	1,5	0,104	3002183
050 TKS 075 FIXING	70	80	1,5	0,113	3002185
075 TKS 075 FIXING	95	80	1,5	0,127	3002187
075 TKS 100 FIXING	95	105	1,5	0,136	3002189
100 TKS 100 FIXING	120	105	1,5	0,150	3002191
100 TKS 150 FIXING	120	155	1,5	0,173	3002193
100 TKS 200 FIXING	120	205	1,5	0,187	3002195
150 TKS 150 FIXING	170	155	1,5	0,198	3002257



■ In case of requested product can be produced as stainless steel.

■ Please indicate order code in your orders.

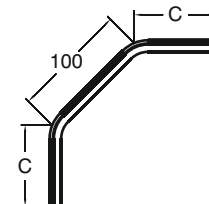
■ Please contact us for special size.

■ Material weights may vary by ± 10%

►► **TKS FIXING ELEMENTS 135°**

Pre-galvanized (TS EN 10346 - TS EN 10143)

Description	A (mm)	C (mm)	T (mm)	Weight (kg/pc)	Order Code
TKS 050 FIXING 135°	50	45	2	0,168	3002198
TKS 075 FIXING 135°	75	60	2	0,229	3002200
TKS 100 FIXING 135°	100	70	2	0,282	3002202
TKS 150 FIXING 135°	150	95	2	0,396	3002204



►► **TKS FIXING ELEMENTS 135°**

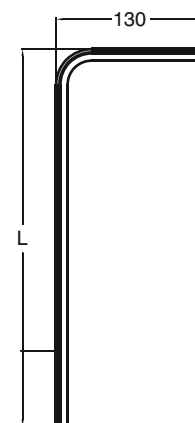
Hot Dip Galvanized After Fabrication (TS EN ISO 1461)

Description	A (mm)	C (mm)	T (mm)	Weight (kg/pc)	Order Code
TKS 050 FIXING 135°	50	45	2	0,185	3002197
TKS 075 FIXING 135°	75	60	2	0,252	3002199
TKS 100 FIXING 135°	100	70	2	0,310	3002201
TKS 150 FIXING 135°	150	95	2	0,436	3002203

►► **TKS FIXING ELEMENTS L**

Pre-galvanized (TS EN 10346 - TS EN 10143)

Description	L (mm)	T (mm)	Weight (kg/pc)	Order Code
TKS 050 FIXING L	50	2	0,186	3002248
TKS 075 FIXING L	75	2	0,215	3002250
TKS 100 FIXING L	100	2	0,243	3002252
TKS 150 FIXING L	150	2	0,300	3002254



►► **TKS FIXING ELEMENTS L**

Hot Dip Galvanized After Fabrication (TS EN ISO 1461)

Description	L (mm)	T (mm)	Weight (kg/pc)	Order Code
TKS 050 FIXING L	50	2	0,205	3002247
TKS 075 FIXING L	75	2	0,237	3002249
TKS 100 FIXING L	100	2	0,267	3002251
TKS 150 FIXING L	150	2	0,330	3002253

■ In case of requested product can be produced as stainless steel.

■ Please indicate order code in your orders.

■ Please contact us for special modules.

■ Material weights may vary by ± 10%

▶▶ **PROJECT DESIGN FORM**

Item	Component List Component	Quantity
Company : Project : Project No :		
Prepared by Name : Date : Signature:		
