

光伏3.0 2转1转接头(扣锁型)

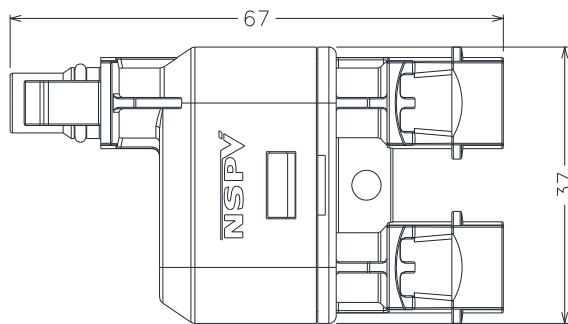
PV3.0 2 to 1 Branch Connector (With Buckle)

产品规格 Product Specifications

绝缘材料 Insulation material	PPE/PA	过压等级 Overvoltage category/Pollution degree	CATIII/2
额定电流 Rated current	30A	安全等级 Safety degree	II
额定电压 Rated voltage	1000VDC	阻燃等级 Flame class	UL94-V0
测试电压 Test voltage	6kV(50Hz,1min)	插入力/拔出力 Insertion force/Withdrawal force	≤50N / ≥50N
连接器接触电阻 Typical contact resistance	≤0.25 mΩ	环境温度范围 Ambient temperature range	-40℃...+85℃(IEC)
金属导体材料 Contact material	铜,镀锡 Copper,Tin plated	温度上限 Upper limiting temperature	110℃(IEC)
保护等级 Degree of protection	IP67		

图示: Drawing:

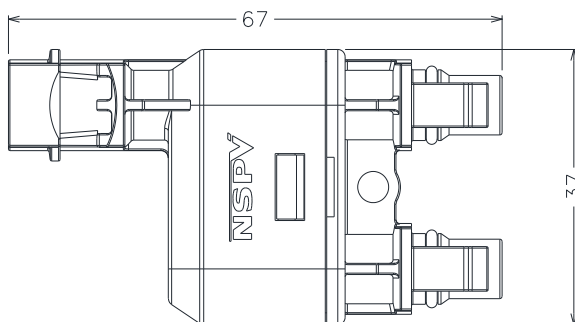
正极
Positive



2公转1母
2 Male to 1 Female

3B0000-002

负极
Negative



2母转1公
2 Female to 1 Male

3B0001-002