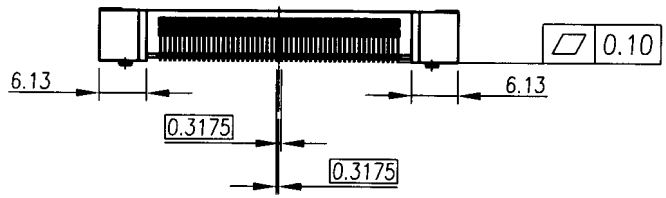
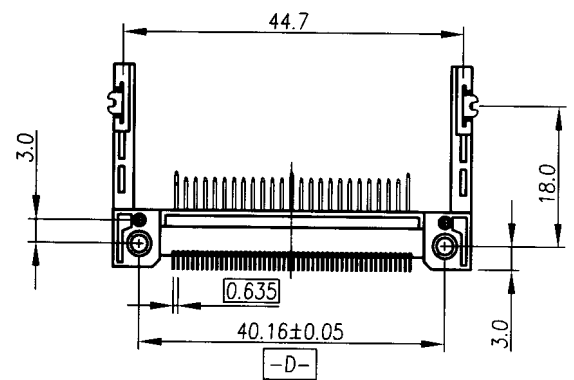
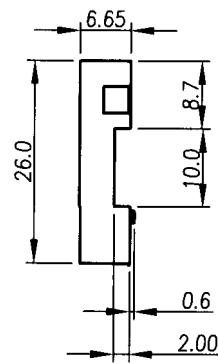
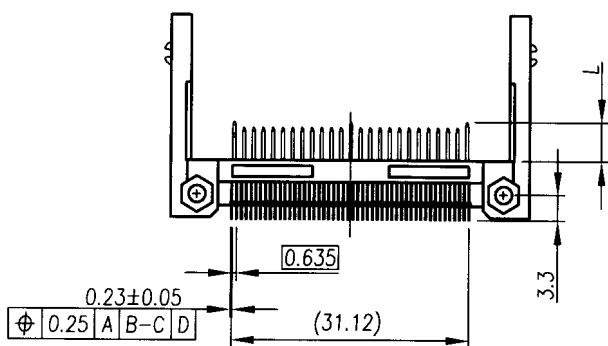
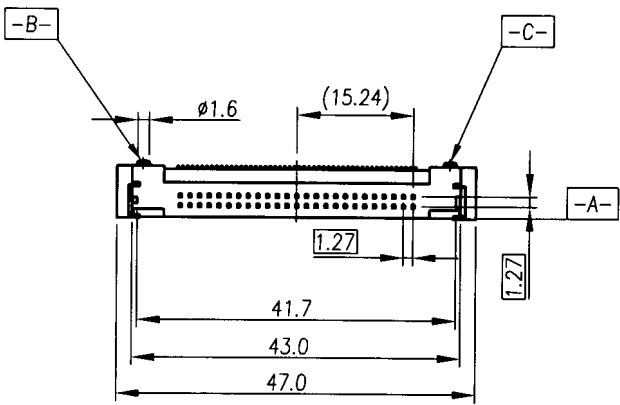
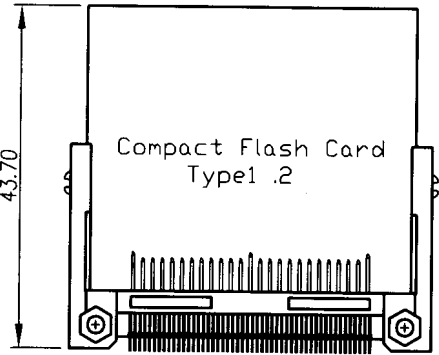


Pin Type	Interface Dim L	Pin Type	REV	MODIFICATION	DATE	DRAW
Detect	3.5 mm	25,26				
General	4.25 mm	All Other Pins				
Power	5.0 mm	1,13,38,50				

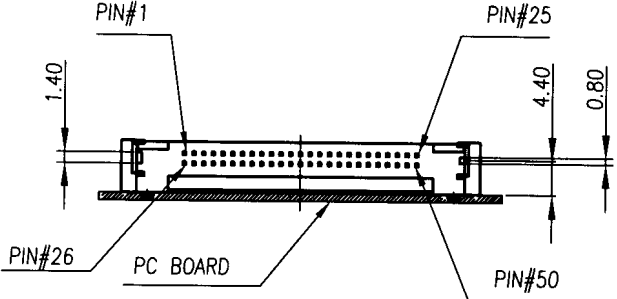


DIMENSION IN mm [Inch]		PROD. SPEC SP0028	KINGFONT PRECISION INDUSTRIAL CO., LTD.	
TOLERANCE UNLESS OTHERWISE SPECIFIED		PKG. SPEC PPP-CFC-004	CF CARD CONN. TYPE1,2	CUSTOMER DRAWING
.X±0.30	X'± 1'	APPROVE <i>Gamm</i>	TITLE STAND-OFF 2.0mm NORMAL TYPE	
.XX±0.20	.X'± 0.5'	CHECK <i>Gamm</i>	FILE NO. KFP-028	DWG NO. CFCMD-45TXXW103
.XXX±0.10	.XX'± 0.25'	DRAW <i>Jing</i>	SIZE A4	PROJ. SHEET 1 / 2
			SCALE 1:1	REV A

REV	MODIFICATION	DATE	DRAW



CARD INSERTION



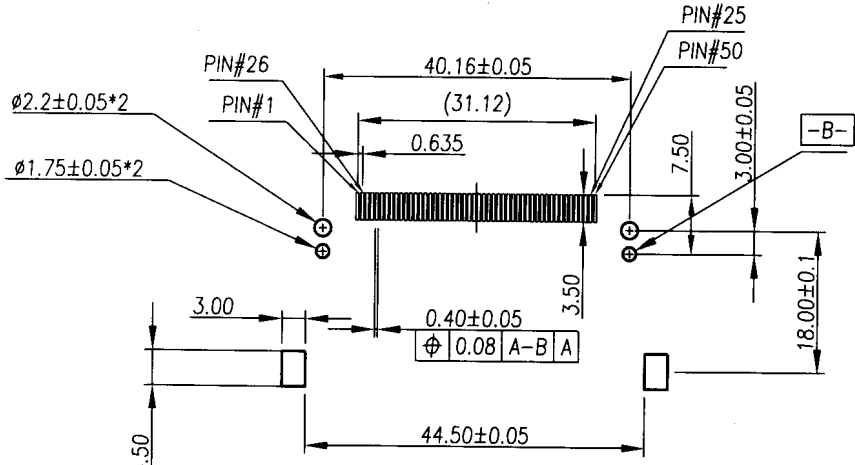
Ordering Information:

CFC M D -4 5 T 15 W 1 0 3
 TYPE 2
 Pin No. 50 Position
 T : Comply to RoHS
 Color: W--White.
 1 : STANDOFF 2.0mm
 DIM-A 3-40.16 WITHOUT POST
 0-NORMAL TYPE

Contact Area Plating:
 15--15U" Gold Plating.

SPECIFICATIONS:

- HOUSING : High Temperature Plastic, UL 94V-0
- CONTACT : Copper Alloys
- VOLTAGE RATING : 100VAC
- CURRENT RATING : 0.5A
- CONTACT RESISTANCE: 40 mΩ max.
- INSULATION RESISTANCE: 1000M Ω min.
- DIELECTRIC STRENGTH : 500VAC/1min
- OPERATION TEMPERATURE : -40°C~85°C



P.C.B Layout

DIMENSION IN mm [Inch]		PROD. SPEC. SP0028	KINGFONT PRECISION INDUSTRIAL CO., LTD.	
TOLERANCE UNLESS OTHERWISE SPECIFIED		PKG. SPEC. PPP-CFC-004	CF CARD CONN. TYPE1,2	CUSTOMER DRAWING
.X±0.30	.X'± 1"	APPROVE <i>Gamm</i>	STAND-OFF 2.0mm NORMAL TYPE	
.XX±0.20	.X'± 0.5"	CHECK <i>Gamm</i>	FILE NO. KFP-028	DWG NO. CFCMD-45T15W103
.XXX±0.10	.XX'± 0.25"	DRW <i>Fong 4/9</i>	SIZE A4	PROJ. SHEET 2 / 2
			SCALE 1:1	REV A