

E-LINE CT

CABLE TRAY SYSTEMS

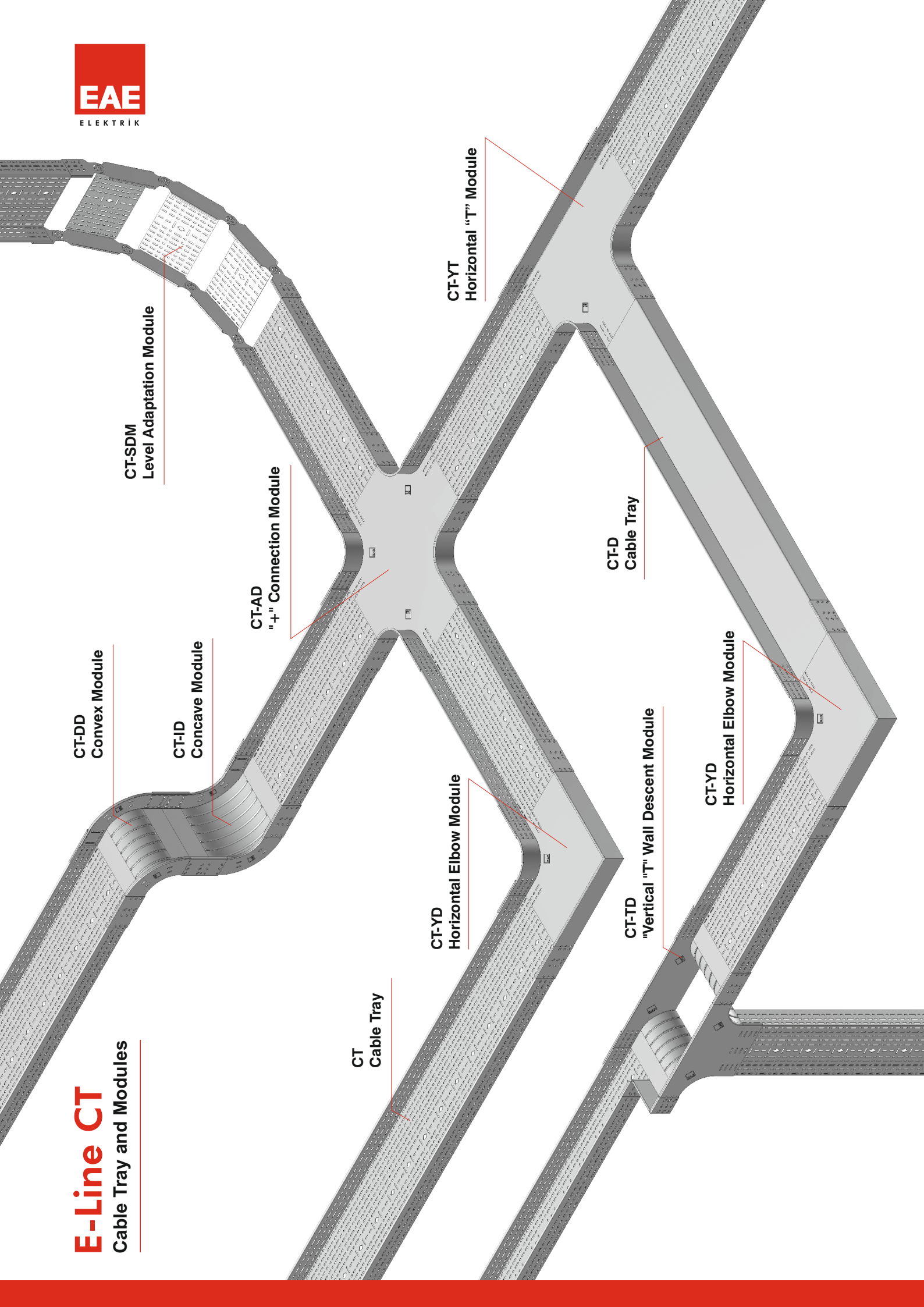


Hot Dip Galvanized After Fabrication
CTHF-E-CTN-CTH-CTA
Cable Tray Systems



E-Line CT

Cable Tray and Modules



CT-DD
Convex Module

CT-ID
Concave Module

CT-SDM
Level Adaptation Module

CT-AD
"+" Connection Module

CT-YD
Horizontal Elbow Module

CT
Cable Tray

CT-YT
Horizontal "T" Module

CT-D
Cable Tray

CT-TD
"Vertical" "T" Wall Descent Module

CT-YD
Horizontal Elbow Module

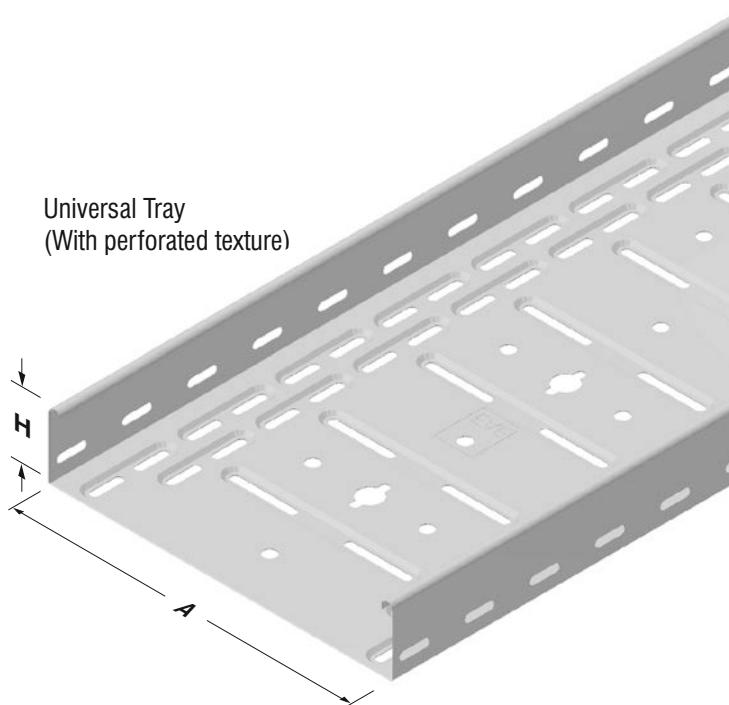
CONTENTS

2-3	CTHF-E Cable Tray and Joint Pieces
4-6	CTN Cable Tray and Joint Pieces
7	CTH Cable Tray
8	CTH-D Cable Tray
9-10	CTH Cable Tray
11-12	CTH-D Cable Tray
13-16	CTE Cable Tray Modules
17-22	CTH Cable Tray Modules
23-28	CTH Tray Cover, Module Cover and CTE Module Cover
29-30	CTA Cable Tray and Cover
31-32	CTA-D Cable Tray
33-72	CTA Cable Tray Modules and Module Covers
73-76	CT Cover Clamp, Joint Bolt Set, Joint Pieces, Expansion Set
77	CTE Cable Tray Modules
78	CT Flexible Elbow Module
79	CT Level Adaptation Module
80	CT Termination Module
81	CT Level Adaptation Joint, CT SDE Elbow Protection Plate
82	CT-KC-KM Flexible Joint, CT Separator
83	CTH-CTA Omega Clamp
84-85	CT Reduction

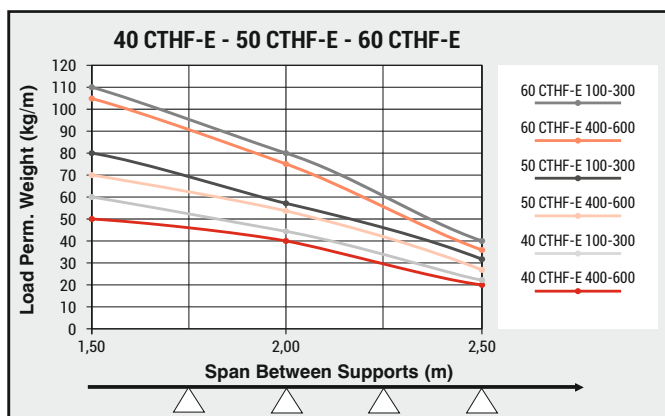
▶▶ CTHF-E CABLE TRAYS

Hot Dip Galvanized After Fabrication (TS EN ISO 1461)

Description	H (mm)	A (mm)	T (mm)	Weight (kg./m.)	Order Code
40 CTHF-E 100	40	100	0,7	1,111	3109046
40 CTHF-E 200	40	200	0,7	1,637	3109047
40 CTHF-E 300	40	300	0,7	2,234	3109048
40 CTHF-E 400	40	400	0,9	3,578	3125791
40 CTHF-E 500	40	500	0,9	4,309	3125792
40 CTHF-E 600	40	600	0,9	5,053	3125793
<hr/>					
50 CTHF-E 100	50	100	0,7	1,247	3109049
50 CTHF-E 200	50	200	0,7	1,758	3109050
50 CTHF-E 300	50	300	0,7	2,329	3109051
50 CTHF-E 400	50	400	0,9	3,734	3109052
50 CTHF-E 500	50	500	0,9	4,465	3109053
50 CTHF-E 600	50	600	0,9	5,208	3109054
<hr/>					
60 CTHF-E 100	60	100	0,7	1,415	3109055
60 CTHF-E 200	60	200	0,7	1,879	3109056
60 CTHF-E 300	60	300	0,7	2,450	3109057
60 CTHF-E 400	60	400	0,9	3,889	3109058
60 CTHF-E 500	60	500	0,9	4,621	3109059
60 CTHF-E 600	60	600	0,9	5,363	3109060



Universal Tray
(With perforated texture)



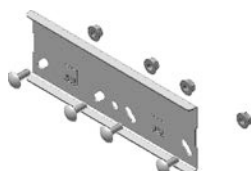
■ Load Perm. Weight may change +/- according to the sheet tolerance and hardness.

Please contact to your customer representative for detailed information.

▶▶ CTHF-E JOINT PIECE

Hot Dip Galvanized After Fabrication (TS EN ISO 1461)

Description	H (mm)	T (mm)	Weight (kg./pc.)	Order Code
040 CTHF-E JOINT PIECE	40	1,2	0,121	3127207
050 CTHF-E JOINT PIECE	50	1,2	0,153	3127208
060 CTHF-E JOINT PIECE	60	1,2	0,160	3127209



040 CTHF-E Joint Piece Assembly; 4 Units M6x12 Bolts, 4 Units M6 Bolt Nuts are used.

050 CTHF-E Joint Piece Assembly; 4 Units M6x12 Bolts, 4 Units M6 Bolt Nuts are used.

060 CTHF-E Joint Piece Assembly; 4 Units M6x12 Bolts, 4 Units M6 Bolt Nuts are used.

■ CTHF-E Trays:

Compatible with CTE Series Cable Tray Modules
(See Ct section pages between 13 and 21)

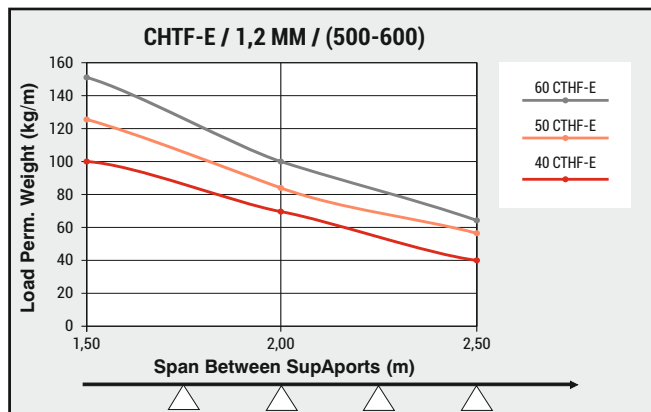
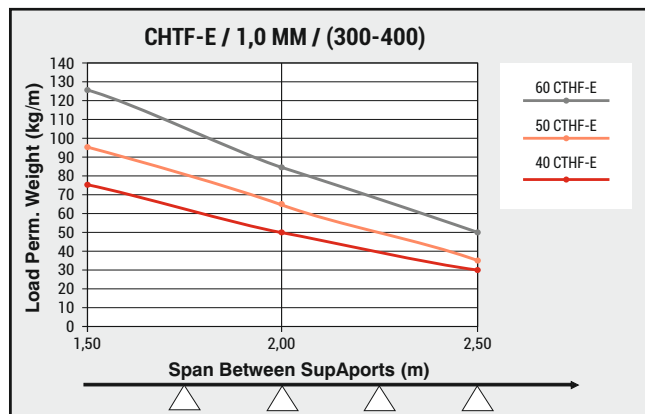
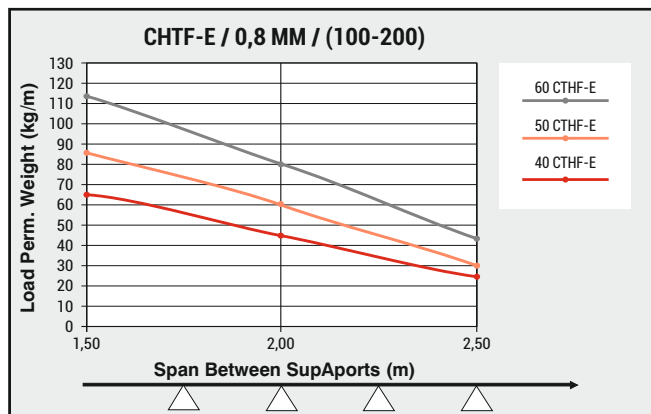
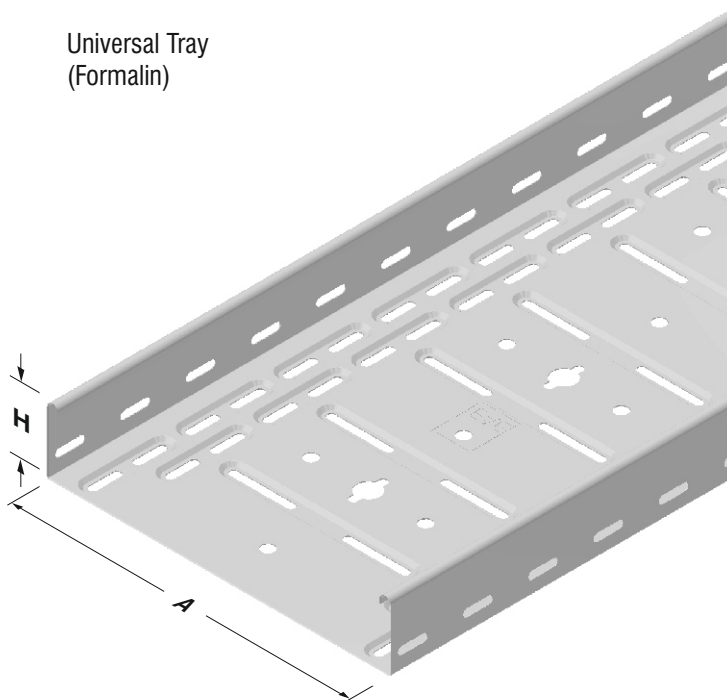
- Standard length is 3000 mm.
- Please indicate order code in your orders.
- Please contact us for special dimensions.
- Material weights may vary by ± 10%

▶▶ CTHF-E CABLE TRAYS

Hot Dip Galvanized After Fabrication (TS EN ISO 1461)

Description	H (mm)	A (mm)	T (mm)	Weight (kg./m.)	Order Code
40 CTHF-E 100	40	100	0,8	1,269	3127183
40 CTHF-E 200	40	200	0,8	1,871	3127184
40 CTHF-E 300	40	300	1	3,192	3127185
40 CTHF-E 400	40	400	1	3,976	3127186
40 CTHF-E 500	40	500	1,2	5,747	3127187
40 CTHF-E 600	40	600	1,2	6,737	3127188
<hr/>					
50 CTHF-E 100	50	100	0,8	1,426	3127189
50 CTHF-E 200	50	200	0,8	2,009	3127190
50 CTHF-E 300	50	300	1	3,328	3127191
50 CTHF-E 400	50	400	1	4,149	3127192
50 CTHF-E 500	50	500	1,2	5,954	3127193
50 CTHF-E 600	50	600	1,2	6,944	3127194
<hr/>					
60 CTHF-E 100	60	100	0,8	1,618	3127195
60 CTHF-E 200	60	200	0,8	2,147	3127196
60 CTHF-E 300	60	300	1	3,500	3127197
60 CTHF-E 400	60	400	1	4,321	3127198
60 CTHF-E 500	60	500	1,2	6,161	3127199
60 CTHF-E 600	60	600	1,2	7,151	3127200

Universal Tray (Formalin)



■ **CTHF-E Trays:**

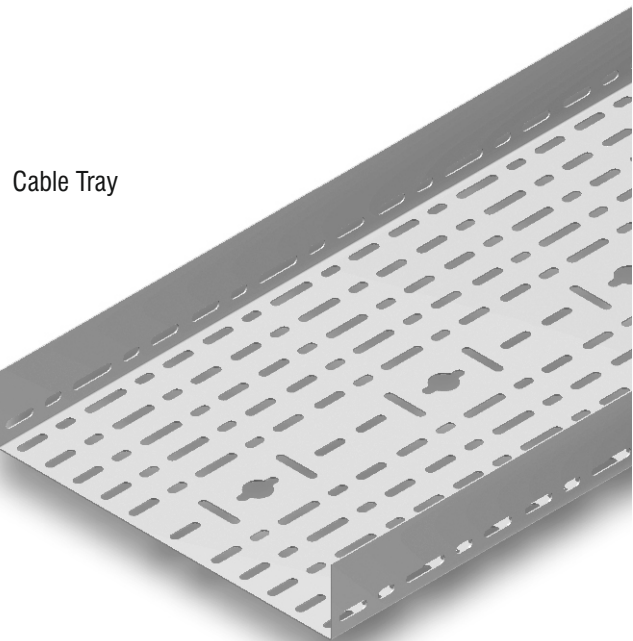
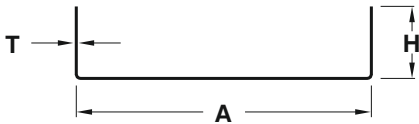
Compatible with CTE Series Cable Tray Modules
(See Ct section pages between 13 and 21)

- Standard length is 3000 mm.
- Please indicate order code in your orders.
- Please contact us for special dimensions.
- Material weights may vary by ± 10%

▶▶ CTN CABLE TRAYS

Hot Dip Galvanized After Fabrication (TS EN ISO 1461)

Description	H (mm)	A (mm)	T (mm)	Weight (kg./m)	Order Code
40 CTN 050	40	50	1	0,950	3000052
40 CTN 100	40	100	1	1,310	3000104
40 CTN 150	40	150	1	1,660	3000054
40 CTN 200	40	200	1	2,010	3000055
50 CTN 100	50	100	1	1,480	3000056
50 CTN 150	50	150	1	1,830	3000057
50 CTN 200	50	200	1	2,190	3000058
60 CTN 100	60	100	1	1,650	3000059
60 CTN 150	60	150	1	2,010	3000060
60 CTN 200	60	200	1	2,360	3000061

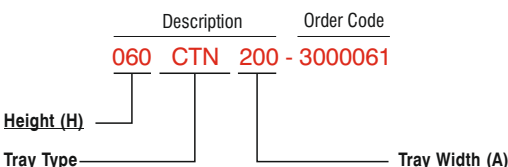


Cable Tray

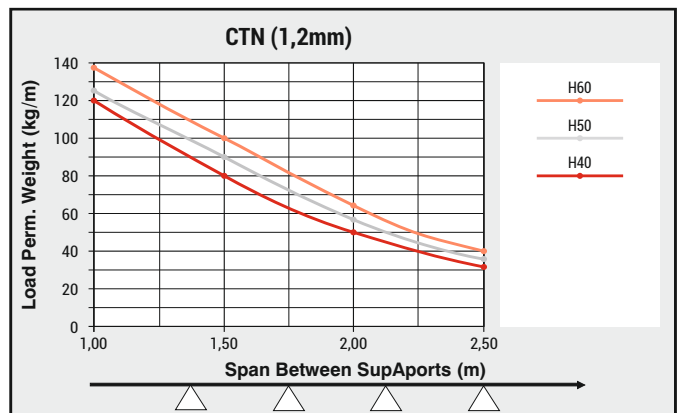
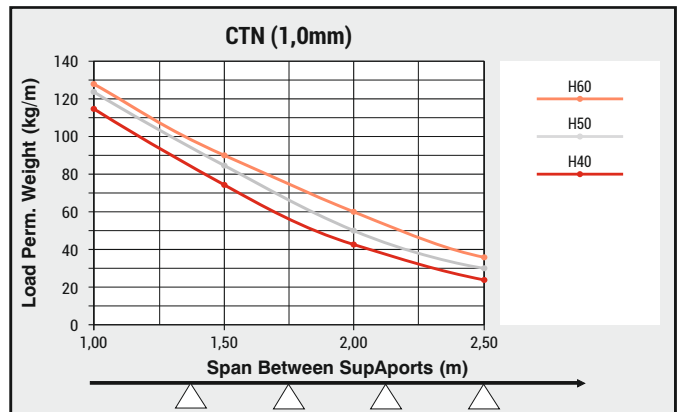
▶▶ CTN CABLE TRAYS

Hot Dip Galvanized After Fabrication (TS EN ISO 1461)

Description	H (mm)	A (mm)	T (mm)	Weight (kg./m)	Order Code
40 CTN 050	40	50	1,2	1,136	3000037
40 CTN 100	40	100	1,2	1,562	3000038
40 CTN 150	40	150	1,2	1,984	3000039
40 CTN 200	40	200	1,2	2,410	3000105
40 CTN 250	40	250	1,2	2,835	3000040
40 CTN 300	40	300	1,2	3,258	3000041
50 CTN 100	50	100	1,2	1,848	3000042
50 CTN 150	50	150	1,2	2,192	3000043
50 CTN 200	50	200	1,2	2,617	3000044
50 CTN 250	50	250	1,2	3,042	3000045
50 CTN 300	50	300	1,2	3,466	3000046
60 CTN 100	60	100	1,2	1,976	3000047
60 CTN 150	60	150	1,2	2,399	3000048
60 CTN 200	60	200	1,2	2,825	3000049
60 CTN 250	60	250	1,2	3,248	3000050
60 CTN 300	60	300	1,2	3,673	3000051



H=040, H=050, H=060 single line perforated



- Load Perm. Weight may change +/- according to the sheet tolerance and hardness. Please contact to your customer representative for detailed information.

■ CTN cable trays are compatible with all modules and accessories of CTH and CTA cable trays.

■ Please indicate order code in your orders.

■ Material weights may vary by ± 10%

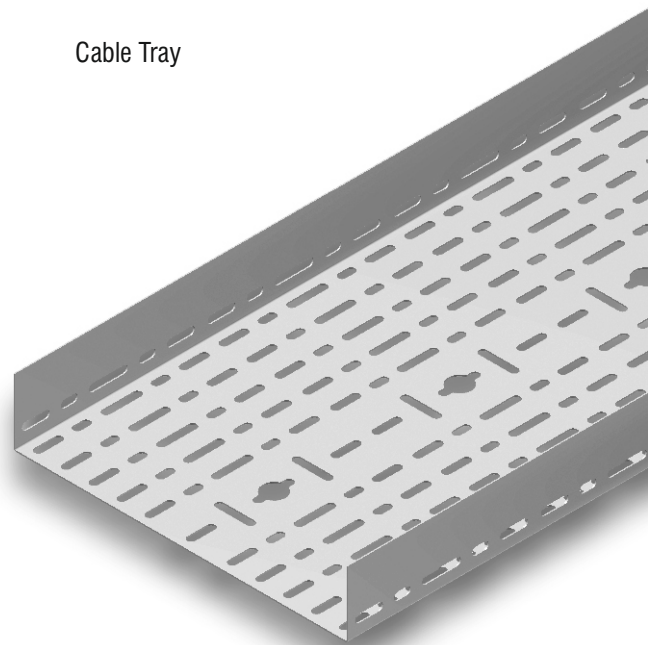
■ Standard length is 3000 mm.

■ Please contact us for special dimensions.

▶▶ CTN CABLE TRAYS

Hot Dip Galvanized After Fabrication (TS EN ISO 1461)

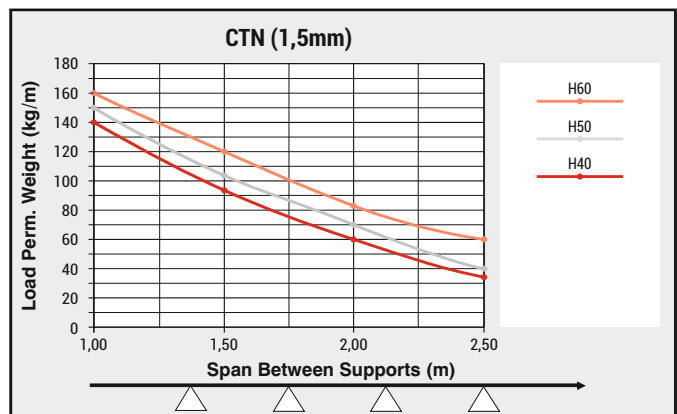
Description	H (mm)	A (mm)	T (mm)	Weight (kg./m)	Order Code
40 CTN 050	40	50	1,5	1,410	3000062
40 CTN 100	40	100	1,5	1,940	3000063
40 CTN 150	40	150	1,5	2,470	3000064
40 CTN 200	40	200	1,5	3,000	3000065
40 CTN 250	40	250	1,5	3,530	3000066
40 CTN 300	40	300	1,5	4,060	3000067
40 CTN 400	40	400	1,5	5,122	3000022
40 CTN 500	40	500	1,5	6,182	3000023
40 CTN 600	40	600	1,5	7,244	3000024
50 CTN 050	50	50	1,5	1,667	3000071
50 CTN 100	50	100	1,5	2,198	3000072
50 CTN 150	50	150	1,5	2,727	3000073
50 CTN 200	50	200	1,5	3,258	3000074
50 CTN 250	50	250	1,5	3,790	3000075
50 CTN 300	50	300	1,5	4,320	3000076
50 CTN 400	50	400	1,5	5,380	3000077
50 CTN 500	50	500	1,5	6,442	3000078
50 CTN 600	50	600	1,5	7,503	3000079
60 CTN 100	60	100	1,5	2,460	3000080
60 CTN 150	60	150	1,5	3,000	3000081
60 CTN 200	60	200	1,5	3,520	3000082
60 CTN 250	60	250	1,5	4,050	3000083
60 CTN 300	60	300	1,5	4,580	3000084
60 CTN 400	60	400	1,5	5,640	3000025
60 CTN 500	60	500	1,5	6,700	3000026
60 CTN 600	60	600	1,5	7,762	3000027



Cable Tray



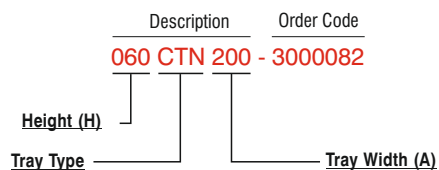
H=040, H=050, H=060 single line perforated



■ Load Perm. Weight may change +/- according to the sheet tolerance and hardness.

Please contact to your customer representative for detailed information.

Sample Order:
 Height (H): 60 mm,
 Tray Width (A): 200 mm,
 Sheet Metal Thickness (T): 1,5 mm,
 Type of Coating (S): Hot Dip Galvanized,
 Module Type: Cable Tray.



■ CTN cable trays are compatible with all modules and accessories of CTH and CTA cable trays.

■ Please indicate order code in your orders.

■ Material weights may vary by ± 10%

■ Standard length is 3000 mm.

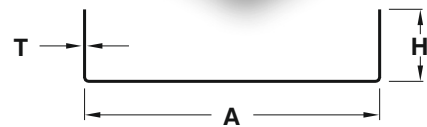
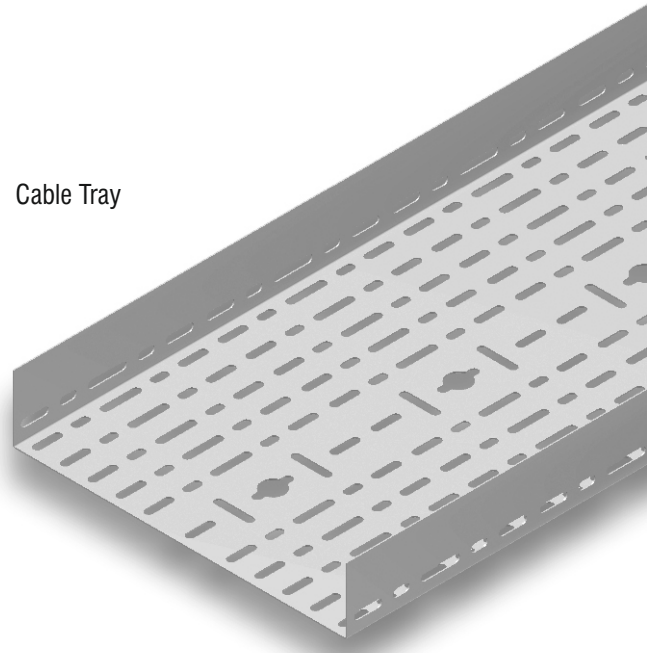
■ Please contact us for special dimensions.

▶▶ CTN CABLE TRAYS

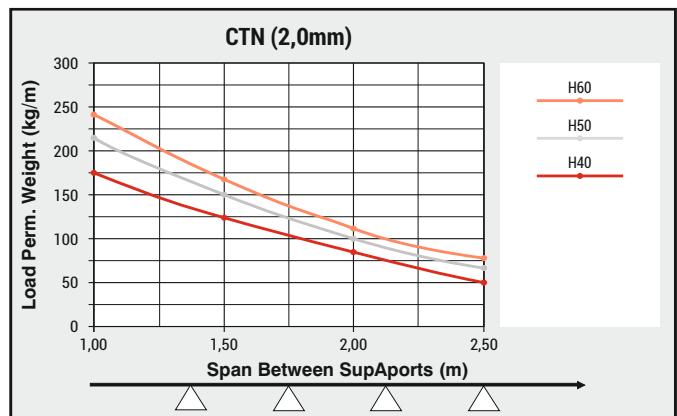
Hot Dip Galvanized After Fabrication (TS EN ISO 1461)

Description	H (mm)	A (mm)	T (mm)	Weight (kg./m)	Order Code
40 CTN 050	40	50	2	1,849	3000011
40 CTN 100	40	100	2	2,558	3000012
40 CTN 150	40	150	2	3,263	3000013
40 CTN 200	40	200	2	3,971	3000014
40 CTN 250	40	250	2	4,678	3000015
40 CTN 300	40	300	2	5,386	3000016
40 CTN 400	40	400	2	6,800	3000068
40 CTN 500	40	500	2	8,220	3000069
40 CTN 600	40	600	2	9,630	3000070
50 CTN 050	50	50	2	2,195	3000028
50 CTN 100	50	100	2	2,903	3000029
50 CTN 150	50	150	2	3,608	3000030
50 CTN 200	50	200	2	4,316	3000031
50 CTN 250	50	250	2	5,024	3000032
50 CTN 300	50	300	2	5,731	3000033
50 CTN 400	50	400	2	7,146	3000034
50 CTN 500	50	500	2	8,560	3000035
50 CTN 600	50	600	2	9,976	3000036
60 CTN 100	60	100	2	3,248	3000017
60 CTN 150	60	150	2	3,953	3000018
60 CTN 200	60	200	2	4,662	3000019
60 CTN 250	60	250	2	5,369	3000020
60 CTN 300	60	300	2	6,076	3000021
60 CTN 400	60	400	2	7,500	3000085
60 CTN 500	60	500	2	8,910	3000086
60 CTN 600	60	600	2	10,320	3000087

Cable Tray



H=040, H=050, H=060 single line perforated



■ Load Perm. Weight may change +/- according to the sheet tolerance and hardness.

Please contact to your customer representative for detailed information.

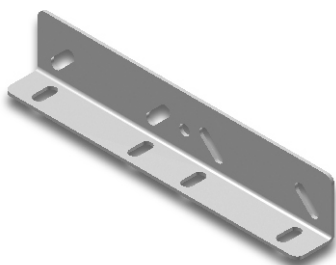
SampleOrder:

Height (H): 50 mm,
 Tray Width (A): 200 mm,
 Sheet Metal Thickness (T): 2 mm,
 Type of Coating (S): Hot Dip Galvanized,
 Module Type: Cable Tray

▶▶ CTN ADDITIONAL PIECE

Hot Dip Galvanized After Fabrication (TS EN ISO 1461)

Description	H (mm)	T (mm)	Weight (kg./m)	Order Code
CTN ADDITIONAL PIECE	40-50-60	1,5	0,146	3002182
CTN ADDITIONAL PIECE	40-50-60	2	0,191	3001965



Description Order Code
050 CTN 200 - 3000031



■ CTN cable trays are compatible with all modules and accessories of CTH and CTA cable trays.

■ Please indicate order code in your orders.

■ Material weights may vary by ± 10%

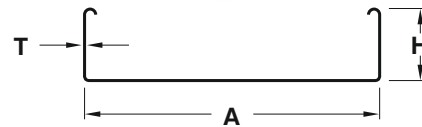
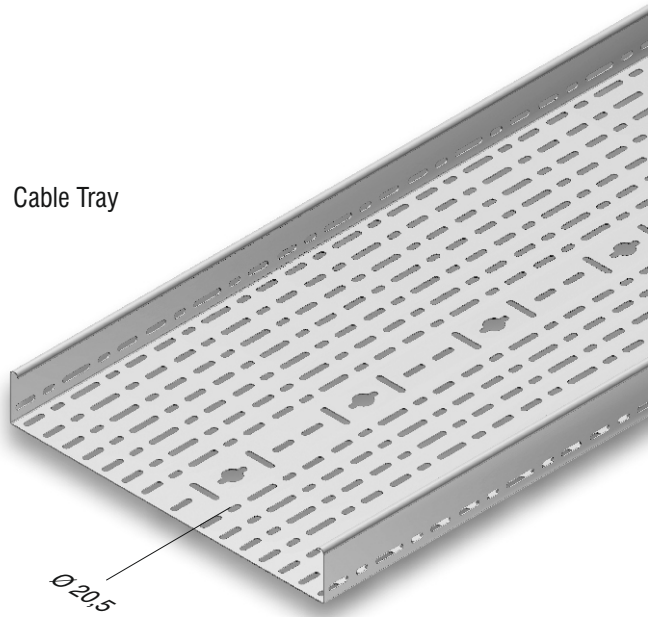
■ Standard length is 3000 mm.

■ Please contact us for special dimensions.

▶▶ CTH CABLE TRAYS

Hot Dip Galvanized After Fabrication (TS EN ISO 1461)

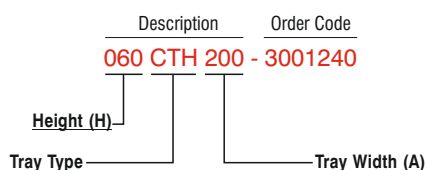
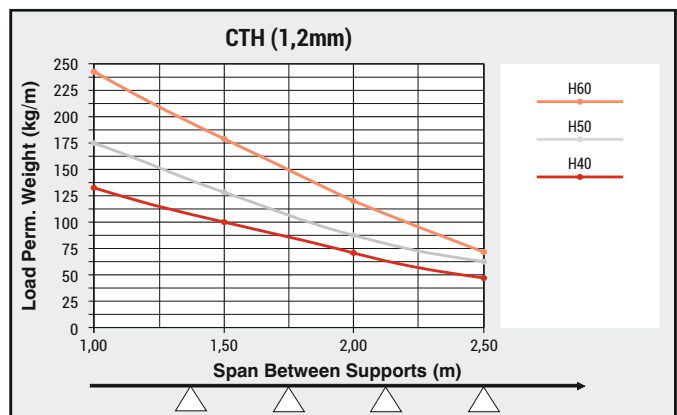
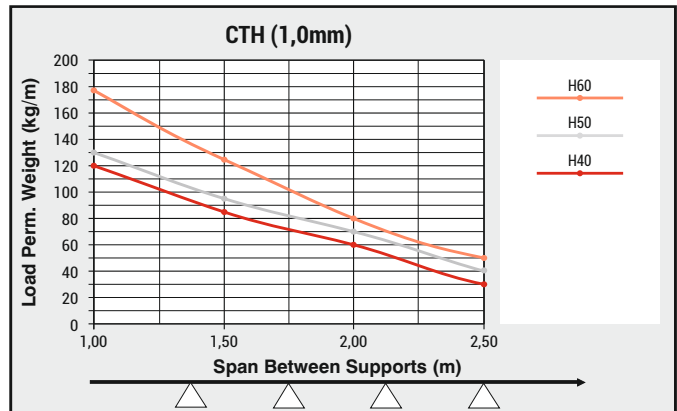
Description	H (mm)	A (mm)	T (mm)	Weight (kg./m)	Order Code
040 CTH 050	40	50	1	1,073	3001217
040 CTH 100	40	100	1	1,427	3001218
040 CTH 150	40	150	1	1,781	3001219
040 CTH 200	40	200	1	2,134	3001220
050 CTH 100	50	100	1	1,600	3001221
050 CTH 150	50	150	1	1,953	3001222
050 CTH 200	50	200	1	2,307	3001223
060 CTH 100	60	100	1	1,773	3001224
060 CTH 150	60	150	1	2,126	3001225
060 CTH 200	60	200	1	2,479	3001226



▶▶ CTH CABLE TRAYS

Hot Dip Galvanized After Fabrication (TS EN ISO 1461)

Description	H (mm)	A (mm)	T (mm)	Weight (kg./m)	Order Code
040 CTH 050	40	50	1,2	1,282	3001227
040 CTH 100	40	100	1,2	1,707	3001228
040 CTH 150	40	150	1,2	2,131	3001229
040 CTH 200	40	200	1,2	2,555	3001230
040 CTH 250	40	250	1,2	2,980	3001231
040 CTH 300	40	300	1,2	3,404	3001232
050 CTH 100	50	100	1,2	1,915	3001233
050 CTH 150	50	150	1,2	2,339	3001234
050 CTH 200	50	200	1,2	2,762	3001235
050 CTH 250	50	250	1,2	3,187	3001236
050 CTH 300	50	300	1,2	3,612	3001237
060 CTH 100	60	100	1,2	2,122	3001238
060 CTH 150	60	150	1,2	2,546	3001239
060 CTH 200	60	200	1,2	2,970	3001240
060 CTH 250	60	250	1,2	3,395	3001241
060 CTH 300	60	300	1,2	3,819	3001242



- Load Perm. Weight may change +/- according to the sheet tolerance and hardness. Please contact to your customer representative for detailed information.

- Please indicate order code in your orders.
- For special orders and specifications please contact us.
- Material weights may vary by ± 10%

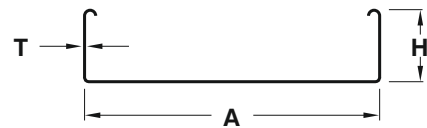
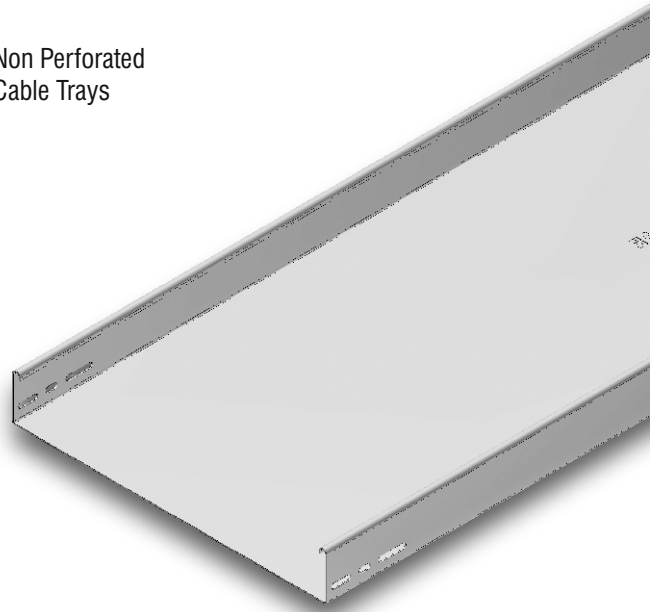
- Standard Length 3000 mm.

▶▶ CTH-D CABLE TRAYS

Hot Dip Galvanized After Fabrication (TS EN ISO 1461)

Description	H (mm)	A (mm)	T (mm)	Weight (kg./m)	Order Code
040 CTH-D 050	40	50	1	1,209	3001243
040 CTH-D 100	40	100	1	1,640	3001244
040 CTH-D 150	40	150	1	2,072	3001245
040 CTH-D 200	40	200	1	2,504	3001246
050 CTH-D 100	50	100	1	1,813	3001247
050 CTH-D 150	50	150	1	2,245	3001248
050 CTH-D 200	50	200	1	2,677	3001249
060 CTH-D 100	60	100	1	1,986	3001250
060 CTH-D 150	60	150	1	2,418	3001251
060 CTH-D 200	60	200	1	2,849	3001252

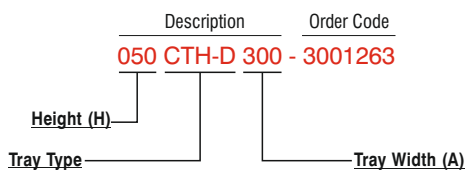
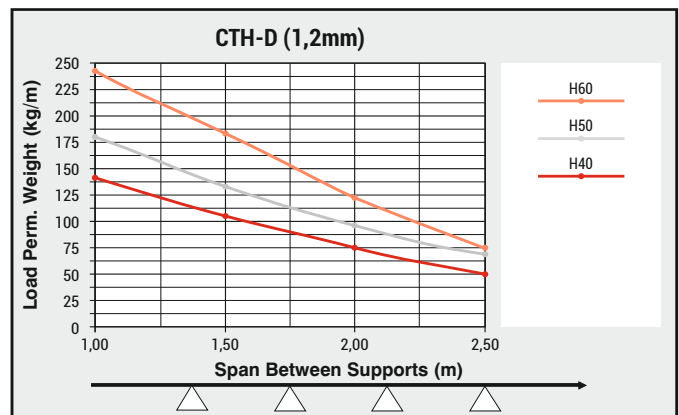
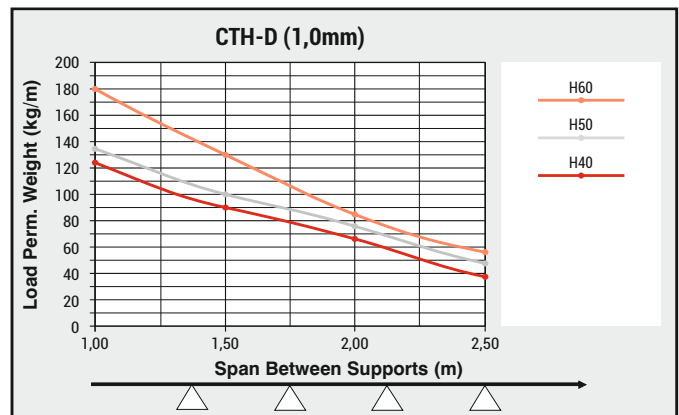
Non Perforated Cable Trays



▶▶ CTH-D CABLE TRAYS

Hot Dip Galvanized After Fabrication (TS EN ISO 1461)

Description	H (mm)	A (mm)	T (mm)	Weight (kg./m)	Order Code
040 CTH-D 050	40	50	1,2	1,445	3001253
040 CTH-D 100	40	100	1,2	1,963	3001254
040 CTH-D 150	40	150	1,2	2,481	3001255
040 CTH-D 200	40	200	1,2	2,999	3001256
040 CTH-D 250	40	250	1,2	3,517	3001257
040 CTH-D 300	40	300	1,2	4,036	3001258
050 CTH-D 100	50	100	1,2	2,170	3001259
050 CTH-D 150	50	150	1,2	2,688	3001260
050 CTH-D 200	50	200	1,2	3,207	3001261
050 CTH-D 250	50	250	1,2	3,746	3001262
050 CTH-D 300	50	300	1,2	4,243	3001263
060 CTH-D 100	60	100	1,2	2,377	3001264
060 CTH-D 150	60	150	1,2	2,896	3001265
060 CTH-D 200	60	200	1,2	3,414	3001266
060 CTH-D 250	60	250	1,2	3,932	3001267
060 CTH-D 300	60	300	1,2	4,450	3001268



- Please indicate order code in your orders.
- For special orders and specifications please contact us.
- Material weights may vary by ± 10%

- Load Perm. Weight may change +/- according to the sheet tolerance and hardness. Please contact to your customer representative for detailed information.

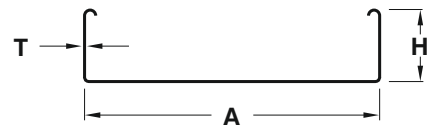
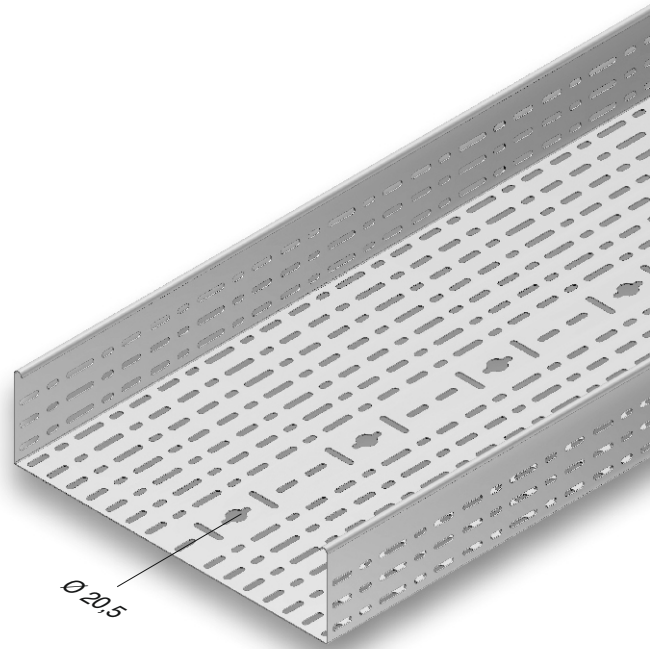
■ Standard Length 3000 mm.

▶▶ CTH CABLE TRAYS

Hot Dip Galvanized After Fabrication (TS EN ISO 1461)

Description	H (mm)	A (mm)	T (mm)	Weight (kg./m)	Order Code
040 CTH 050	40	50	1,5	1,631	3005826
040 CTH 100	40	100	1,5	2,163	3000169
040 CTH 150	40	150	1,5	2,692	3000167
040 CTH 200	40	200	1,5	3,262	3000165
040 CTH 250	40	250	1,5	3,792	3000163
040 CTH 300	40	300	1,5	4,323	3000161
040 CTH 400	40	400	1,5	5,384	3000159
040 CTH 500	40	500	1,5	6,444	3000157
040 CTH 600	40	600	1,5	7,506	3000155
050 CTH 050	50	50	1,5	1,865	3001155
050 CTH 100	50	100	1,5	2,435	3007920
050 CTH 150	50	150	1,5	2,965	3007324
050 CTH 200	50	200	1,5	3,520	3007918
050 CTH 250	50	250	1,5	4,051	3007322
050 CTH 300	50	300	1,5	4,582	3007916
050 CTH 400	50	400	1,5	5,643	3007914
050 CTH 500	50	500	1,5	6,703	3007912
050 CTH 600	50	600	1,5	7,765	3007910
060 CTH 100	60	100	1,5	2,694	3000153
060 CTH 150	60	150	1,5	3,223	3000151
060 CTH 200	60	200	1,5	3,780	3000149
060 CTH 250	60	250	1,5	4,310	3000147
060 CTH 300	60	300	1,5	4,841	3000145
060 CTH 400	60	400	1,5	5,902	3000143
060 CTH 500	60	500	1,5	6,963	3000141
060 CTH 600	60	600	1,5	8,024	3000139
075 CTH 100	75	100	1,5	2,965	3007320
075 CTH 150	75	150	1,5	3,521	3007318
075 CTH 200	75	200	1,5	4,051	3007908
075 CTH 250	75	250	1,5	4,582	3007316
075 CTH 300	75	300	1,5	5,112	3007906
075 CTH 400	75	400	1,5	6,173	3007904
075 CTH 500	75	500	1,5	7,234	3007902
075 CTH 600	75	600	1,5	8,296	3007900
100 CTH 100	100	100	1,5	3,522	3001156
100 CTH 150	100	150	1,5	4,052	3007314
100 CTH 200	100	200	1,5	4,582	3007898
100 CTH 250	100	250	1,5	5,113	3007312
100 CTH 300	100	300	1,5	5,643	3007896
100 CTH 400	100	400	1,5	6,704	3007894
100 CTH 500	100	500	1,5	7,765	3007892
100 CTH 600	100	600	1,5	8,826	3007890

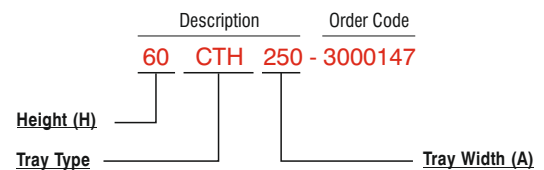
Cable Trays



H=040, H=050, H=060 single row perforated.
 H=075 two rows perforated.
 H=100 three rows perforated.
 H=125 four rows perforated.
 H=150 five rows perforated.

SampleOrder:

Height (H): 60 mm,
 Tray Width (A): 250 mm,
 Sheet Metal Thickness (T): 1,5 mm,
 Type of Coating (S): Hot Dip Galvanized,
 Module Type: Cable Tray



■ Please indicate order code in your orders.

■ Material weights may vary by ± 10%

■ Standard length is 3000 mm.

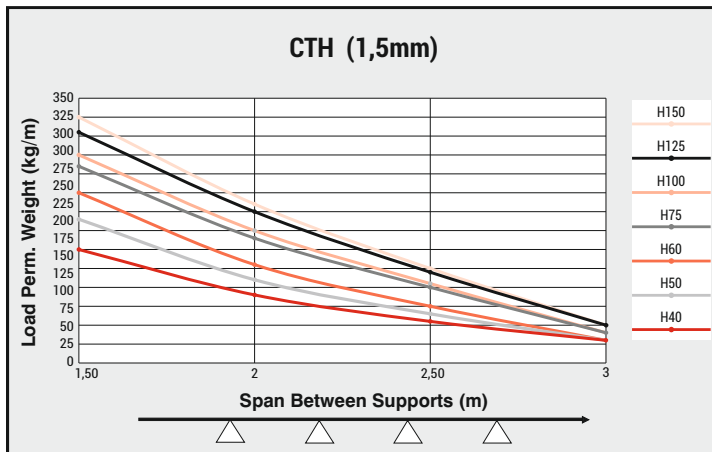
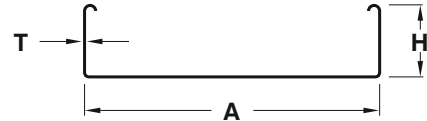
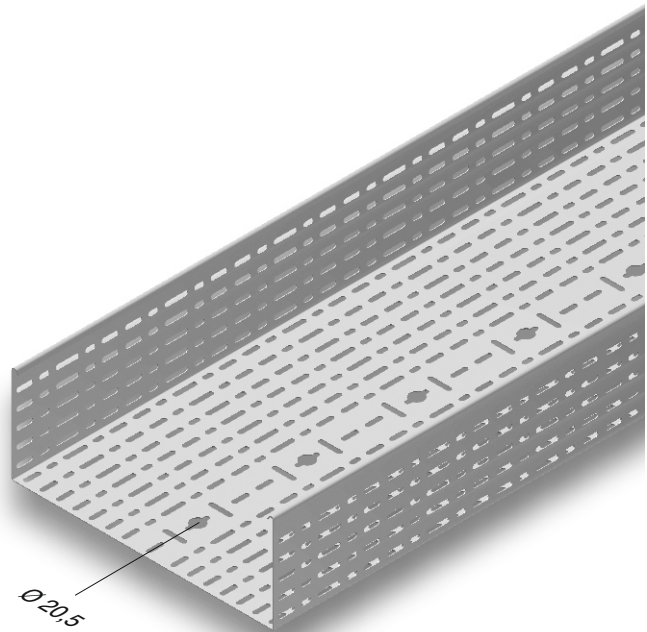
■ For special orders and specifications please contact us.

▶▶ CTH CABLE TRAYS

Hot Dip Galvanized After Fabrication (TS EN ISO 1461)

Description	H (mm)	A (mm)	T (mm)	Weight (kg./m)	Order Code
125 CTH 150	125	150	1,5	4,583	3003130
125 CTH 200	125	200	1,5	5,203	3003131
125 CTH 250	125	250	1,5	5,741	3003132
125 CTH 300	125	300	1,5	6,382	3003133
125 CTH 400	125	400	1,5	7,575	3003134
125 CTH 500	125	500	1,5	8,813	3003135
125 CTH 600	125	600	1,5	10,051	3003136
150 CTH 200	150	200	1,5	5,644	3003137
150 CTH 250	150	250	1,5	6,313	3003138
150 CTH 300	150	300	1,5	6,922	3003139
150 CTH 400	150	400	1,5	8,216	3003140
150 CTH 500	150	500	1,5	9,561	3003141
150 CTH 600	150	600	1,5	10,902	3003142

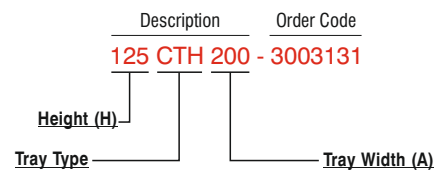
Cable Tray



H=040, H=050, H=060 single row perforated.
 H=075 two rows perforated. H=100 three rows perforated.
 H=125 four rows perforated. H=150 five rows perforated.

Sample Order:
 Height (H): 125 mm,
 Width (A): 200 mm,
 Sheet Thickness (T): 1,5 mm,
 Coating Type (S): Hot Dip Galvanized,
 Module Type: Cable Trays.

■ Load Perm. Weight may change +/- according to the sheet tolerance and hardness.
 Please contact to your customer representative for detailed information.



■ Please indicate order code in your orders.

■ Material weights may vary by ± 10%

■ Standard Length 3000 mm.

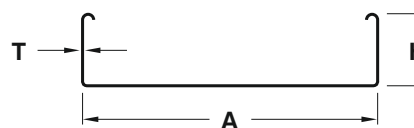
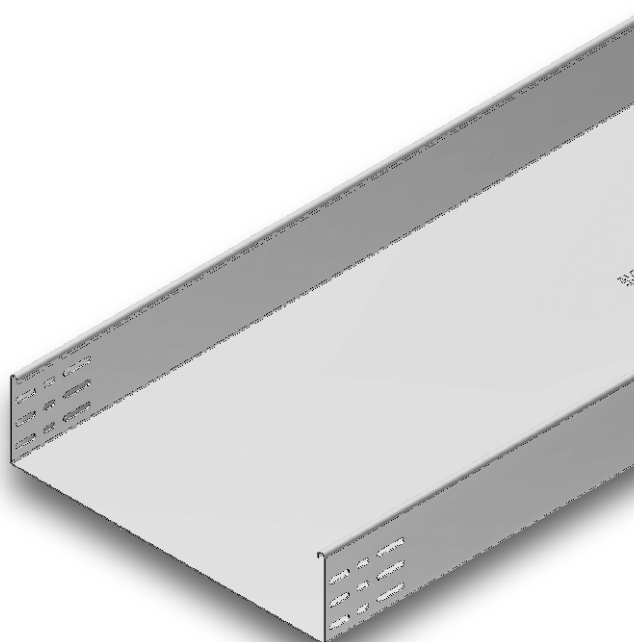
■ For special orders and specifications please contact us.

▶▶ CTH-D CABLE TRAYS

Hot Dip Galvanized After Fabrication (TS EN ISO 1461)

Description	H (mm)	A (mm)	T (mm)	Weight (kg./m)	Order Code
040 CTH-D 050	40	50	1,5	1,835	3001269
040 CTH-D 100	40	100	1,5	2,482	3001270
040 CTH-D 150	40	150	1,5	3,143	3001271
040 CTH-D 200	40	200	1,5	3,817	3001272
040 CTH-D 250	40	250	1,5	4,464	3001273
040 CTH-D 300	40	300	1,5	5,112	3001274
040 CTH-D 400	40	400	1,5	6,407	3001275
040 CTH-D 500	40	500	1,5	7,702	3001276
040 CTH-D 600	40	600	1,5	8,998	3001277
050 CTH-D 050	50	50	1,5	2,068	3001278
050 CTH-D 100	50	100	1,5	2,754	3001279
050 CTH-D 150	50	150	1,5	3,402	3001280
050 CTH-D 200	50	200	1,5	4,076	3001281
050 CTH-D 250	50	250	1,5	4,723	3001282
050 CTH-D 300	50	300	1,5	5,371	3001283
050 CTH-D 400	50	400	1,5	6,666	3001284
050 CTH-D 500	50	500	1,5	7,961	3001285
050 CTH-D 600	50	600	1,5	9,257	3001286
060 CTH-D 100	60	100	1,5	2,980	3001287
060 CTH-D 150	60	150	1,5	3,661	3001288
060 CTH-D 200	60	200	1,5	4,335	3001289
060 CTH-D 250	60	250	1,5	4,982	3001290
060 CTH-D 300	60	300	1,5	5,630	3001291
060 CTH-D 400	60	400	1,5	6,925	3001292
060 CTH-D 500	60	500	1,5	8,220	3001293
060 CTH-D 600	60	600	1,5	9,516	3001294
075 CTH-D 100	75	100	1,5	3,394	3001295
075 CTH-D 150	75	150	1,5	4,067	3001296
075 CTH-D 200	75	200	1,5	4,715	3001297
075 CTH-D 250	75	250	1,5	5,362	3001298
075 CTH-D 300	75	300	1,5	6,010	3001299
075 CTH-D 400	75	400	1,5	7,305	3001300
075 CTH-D 500	75	500	1,5	8,601	3001301
075 CTH-D 600	75	600	1,5	9,896	3001302
100 CTH-D 100	100	100	1,5	4,059	3001303
100 CTH-D 150	100	150	1,5	4,706	3001304
100 CTH-D 200	100	200	1,5	5,354	3001305
100 CTH-D 250	100	250	1,5	6,001	3001306
100 CTH-D 300	100	300	1,5	6,649	3001307
100 CTH-D 400	100	400	1,5	7,944	3001308
100 CTH-D 500	100	500	1,5	9,240	3001309
100 CTH-D 600	100	600	1,5	10,535	3001310

Non Perforated Cable Trays



H=040, H=050, H=060 single row perforated.
 H=075 two rows perforated.
 H=100 three rows perforated.

Sample Order:
 Height (H): 75 mm,
 Width (A): 500 mm,
 Sheet Thickness (T): 1,5 mm,
 Coating Type (S): Hot Dip Galvanized,
 Module Type: Non Perforated Cable Trays

- Please indicate order code in your orders.
- Material weights may vary by ± 10%

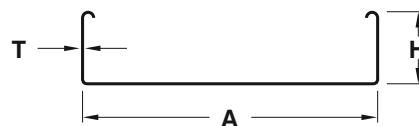
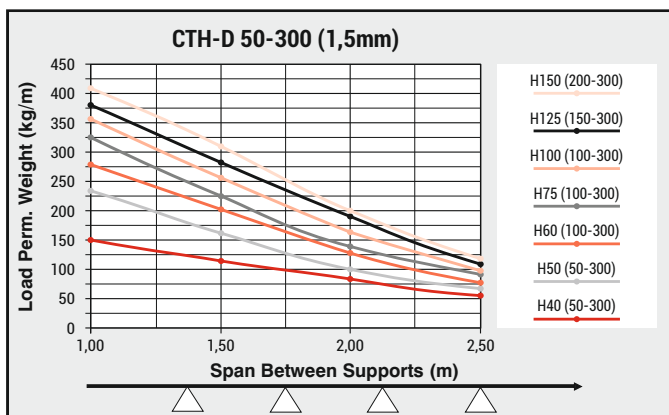
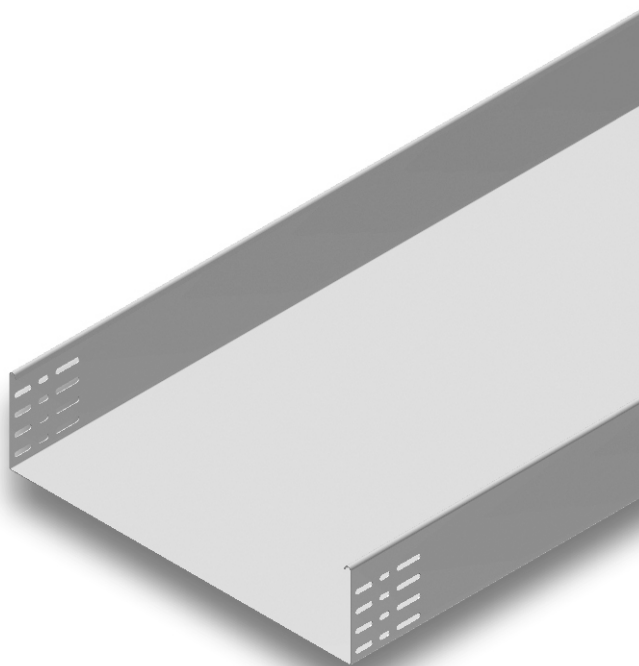
- Standard Length 3000 mm.
- For special orders and specifications please contact us.

▶▶ CTH-D CABLE TRAYS

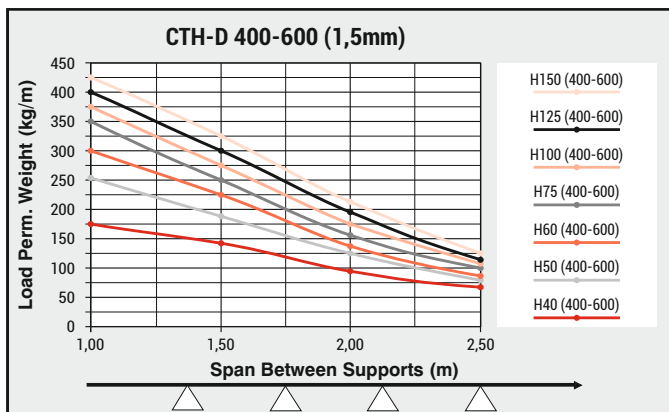
Hot Dip Galvanized After Fabrication (TS EN ISO 1461)

Description	H (mm)	A (mm)	T (mm)	Weight (kg./m)	Order Code
125 CTH-D 150	125	150	1,5	5,345	3003143
125 CTH-D 200	125	200	1,5	6,074	3003144
125 CTH-D 250	125	250	1,5	6,806	3003145
125 CTH-D 300	125	300	1,5	7,539	3003146
125 CTH-D 400	125	400	1,5	9,004	3003147
125 CTH-D 500	125	500	1,5	10,465	3003148
125 CTH-D 600	125	600	1,5	11,932	3003149
150 CTH-D 200	150	200	1,5	6,632	3003150
150 CTH-D 250	150	250	1,5	7,431	3003151
150 CTH-D 300	150	300	1,5	8,231	3003152
150 CTH-D 400	150	400	1,5	9,830	3003153
150 CTH-D 500	150	500	1,5	11,426	3003154
150 CTH-D 600	150	600	1,5	13,026	3003155

Non Perforated Cable Trays



H=125 four rows perforated.
H=150 five rows perforated



Sample Order:
Height (H): 125 mm,
Width (A): 500 mm,
Sheet Thickness (T): 1,5 mm,
Coating Type (S): Hot Dip Galvanized,
Module Type: Non Perforated Cable Trays

■ Load Perm. Weight may change +/- according to the sheet tolerance and hardness.
Please contact to your customer representative for detailed information.

■ Please indicate order code in your orders.

■ Material weights may vary by ± 10%

■ Standard Length 3000 mm.

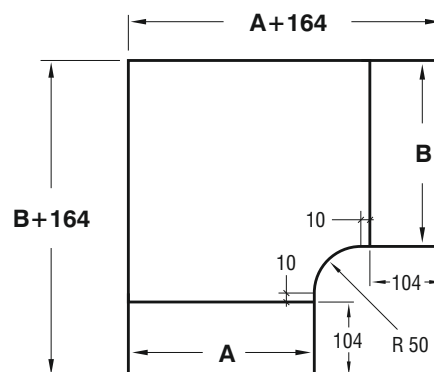
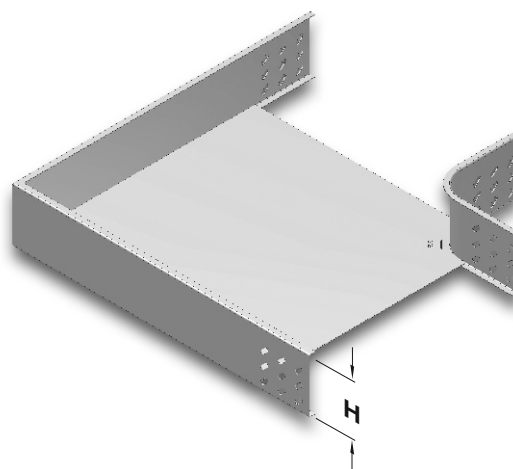
■ For special orders and specifications please contact us.

▶▶ CTE HORIZONTAL ELBOW MODULE (90°) R=50

Hot Dip Galvanized After Fabrication (TS EN ISO 1461)

Description	H (mm)	AB (mm)	T (mm)	Weight (kg./pc)	Order Code
040 CTE 050 YD	40	50	1,2	0,570	3000290
040 CTE 100 YD	40	100	1,2	0,779	3000291
040 CTE 150 YD	40	150	1,2	1,041	3000292
040 CTE 200 YD	40	200	1,2	1,359	3000293
040 CTE 250 YD	40	250	1,2	1,728	3000294
040 CTE 300 YD	40	300	1,5	2,492	3000295
040 CTE 400 YD	40	400	1,5	3,719	3000296
040 CTE 500 YD	40	500	1,5	5,216	3000297
040 CTE 600 YD	40	600	2	8,914	3000298
<hr/>					
050 CTE 050 YD	50	50	1,2	0,649	3000299
050 CTE 100 YD	50	100	1,2	0,868	3000300
050 CTE 150 YD	50	150	1,2	1,142	3000301
050 CTE 200 YD	50	200	1,2	1,469	3000302
050 CTE 250 YD	50	250	1,2	1,850	3000303
050 CTE 300 YD	50	300	1,5	2,623	3000304
050 CTE 400 YD	50	400	1,5	3,874	3000305
050 CTE 500 YD	50	500	1,5	5,391	3000306
050 CTE 600 YD	50	600	2	9,110	3000307
<hr/>					
060 CTE 100 YD	60	100	1,2	0,958	3000309
060 CTE 150 YD	60	150	1,2	1,242	3000310
060 CTE 200 YD	60	200	1,2	1,580	3000311
060 CTE 250 YD	60	250	1,2	1,971	3000312
060 CTE 300 YD	60	300	1,5	2,756	3000313
060 CTE 400 YD	60	400	1,5	4,027	3000314
060 CTE 500 YD	60	500	1,5	5,567	3000315
060 CTE 600 YD	60	600	2	9,307	3000316
<hr/>					
075 CTE 100 YD	75	100	1,2	1,092	3000317
075 CTE 150 YD	75	150	1,2	1,393	3000318
075 CTE 200 YD	75	200	1,2	1,747	3000319
075 CTE 250 YD	75	250	1,2	2,154	3000320
075 CTE 300 YD	75	300	1,5	2,955	3000321
075 CTE 400 YD	75	400	1,5	4,258	3000322
075 CTE 500 YD	75	500	1,5	5,830	3000323
075 CTE 600 YD	75	600	2	9,603	3000324
<hr/>					
100 CTE 100 YD	100	100	1,2	1,316	3000325
100 CTE 150 YD	100	150	1,2	1,643	3000326
100 CTE 200 YD	100	200	1,2	2,024	3000327
100 CTE 250 YD	100	250	1,2	2,459	3000328
100 CTE 300 YD	100	300	1,5	3,286	3000329
100 CTE 400 YD	100	400	1,5	4,643	3000330
100 CTE 500 YD	100	500	1,5	6,268	3000331
100 CTE 600 YD	100	600	2	10,095	3000332

YD



H=040, H=050, H=060 single line perforated.
 H=075 double line perforated.
 H=100 triple line perforated.
 H=125 four rows perforated.
 H=150 five rows perforated.

Description	H (mm)	AB (mm)	T (mm)	Weight (kg./pc)	Order Code
125 CTE 150 YD	125	150	1,5	2,264	3003194
125 CTE 200 YD	125	200	1,5	2,507	3003195
125 CTE 250 YD	125	250	1,5	3,336	3003196
125 CTE 300 YD	125	300	1,5	3,963	3003197
125 CTE 400 YD	125	400	1,5	5,413	3003198
125 CTE 500 YD	125	500	1,5	7,121	3003199
125 CTE 600 YD	125	600	2	10,198	3003200
<hr/>					
150 CTE 200 YD	150	200	1,5	3,098	3003201
150 CTE 250 YD	150	250	1,5	3,693	3003202
150 CTE 300 YD	150	300	1,5	4,354	3003203
150 CTE 400 YD	150	400	1,5	5,870	3003204
150 CTE 500 YD	150	500	1,5	7,644	3003205
150 CTE 600 YD	150	600	2	11,575	3003206

■ Please indicate order code in your orders.

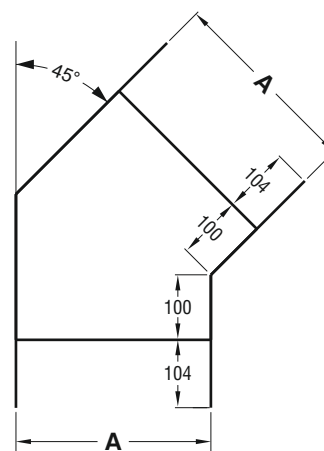
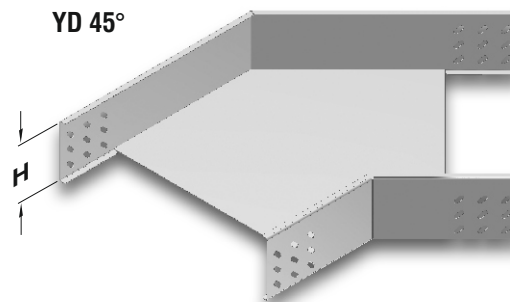
■ Material weights may vary by ± 10%

■ Please contact us for special size.

▶▶ CTE HORIZONTAL ELBOW MODULE (45°)

Hot Dip Galvanized After Fabrication (TS EN ISO 1461)

Description	H (mm)	A (mm)	T (mm)	Weight (kg./pc.)	Order Code
040 CTE 050 YD 45°	40	50	1,2	0,670	3000419
040 CTE 100 YD 45°	40	100	1,2	0,838	3000420
040 CTE 150 YD 45°	40	150	1,2	1,027	3000421
040 CTE 200 YD 45°	40	200	1,2	1,238	3000422
040 CTE 250 YD 45°	40	250	1,2	1,473	3000423
040 CTE 300 YD 45°	40	300	1,5	1,989	3000424
040 CTE 400 YD 45°	40	400	1,5	2,701	3000425
040 CTE 500 YD 45°	40	500	1,5	3,522	3000426
040 CTE 600 YD 45°	40	600	2	5,657	3000427
<hr/>					
050 CTE 050 YD 45°	50	50	1,2	0,761	3000428
050 CTE 100 YD 45°	50	100	1,2	0,935	3000429
050 CTE 150 YD 45°	50	150	1,2	1,128	3000430
050 CTE 200 YD 45°	50	200	1,2	1,343	3000431
050 CTE 250 YD 45°	50	250	1,2	1,583	3000432
050 CTE 300 YD 45°	50	300	1,5	2,103	3000433
050 CTE 400 YD 45°	50	400	1,5	2,823	3000434
050 CTE 500 YD 45°	50	500	1,5	3,653	3000435
050 CTE 600 YD 45°	50	600	2	5,798	3000436
<hr/>					
060 CTE 100 YD 45°	60	100	1,2	1,031	3000438
060 CTE 150 YD 45°	60	150	1,2	1,229	3000439
060 CTE 200 YD 45°	60	200	1,2	1,448	3000440
060 CTE 250 YD 45°	60	250	1,2	1,693	3000441
060 CTE 300 YD 45°	60	300	1,5	2,218	3000442
060 CTE 400 YD 45°	60	400	1,5	2,947	3000443
060 CTE 500 YD 45°	60	500	1,5	3,785	3000444
060 CTE 600 YD 45°	60	600	2	5,939	3000445
<hr/>					
075 CTE 100 YD 45°	75	100	1,2	1,176	3000446
075 CTE 150 YD 45°	75	150	1,2	1,380	3000447
075 CTE 200 YD 45°	75	200	1,2	1,606	3000448
075 CTE 250 YD 45°	75	250	1,2	1,858	3000449
075 CTE 300 YD 45°	75	300	1,5	2,289	3000450
075 CTE 400 YD 45°	75	400	1,5	3,131	3000451
075 CTE 500 YD 45°	75	500	1,5	3,983	3000452
075 CTE 600 YD 45°	75	600	2	6,150	3000453
<hr/>					
100 CTE 100 YD 45°	100	100	1,2	1,417	3000454
100 CTE 150 YD 45°	100	150	1,2	1,632	3000455
100 CTE 200 YD 45°	100	200	1,2	1,868	3000456
100 CTE 250 YD 45°	100	250	1,2	2,132	3000457
100 CTE 300 YD 45°	100	300	1,5	2,674	3000458
100 CTE 400 YD 45°	100	400	1,5	3,439	3000459
100 CTE 500 YD 45°	100	500	1,5	4,131	3000460
100 CTE 600 YD 45°	100	600	2	6,503	3000461



H=040, H=050, H=060 single line perforated.
 H=075 double line perforated.
 H=100 triple line perforated.
 H=125 four rows perforated.
 H=150 five rows perforated.

Description	H (mm)	A (mm)	T (mm)	Weight (kg./pc.)	Order Code
125 CTE 150 YD 45°	125	150	1,5	1,909	3003181
125 CTE 200 YD 45°	125	200	1,5	2,197	3003182
125 CTE 250 YD 45°	125	250	1,5	2,513	3003183
125 CTE 300 YD 45°	125	300	1,5	2,852	3003184
125 CTE 400 YD 45°	125	400	1,5	3,616	3003185
125 CTE 500 YD 45°	125	500	1,5	4,485	3003186
125 CTE 600 YD 45°	125	600	2	6,638	3003187
<hr/>					
150 CTE 200 YD 45°	150	200	1,5	2,461	3003188
150 CTE 250 YD 45°	150	250	1,5	2,781	3003189
150 CTE 300 YD 45°	150	300	1,5	3,132	3003190
150 CTE 400 YD 45°	150	400	1,5	3,920	3003191
150 CTE 500 YD 45°	150	500	1,5	4,811	3003192
150 CTE 600 YD 45°	150	600	2	6,972	3003193

■ Please indicate order code in your orders.

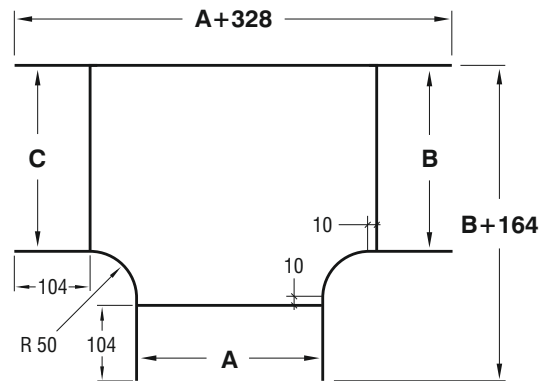
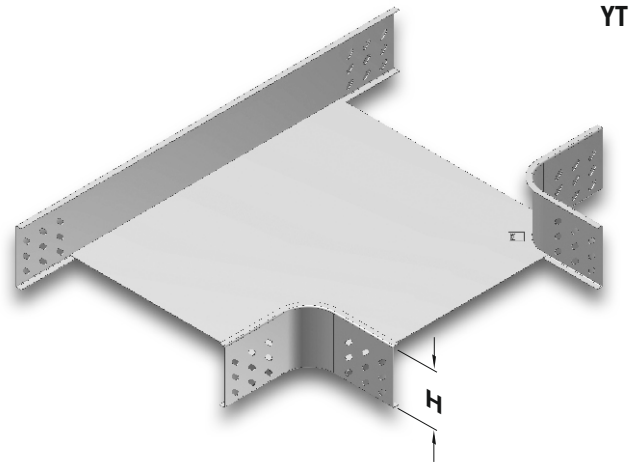
■ Material weights may vary by ± 10%

■ Please contact us for special size.

►► CTE "T" MODULE R=50

Hot Dip Galvanized After Fabrication (TS EN ISO 1461)

Description	H (mm)	ABC (mm)	T (mm)	Weight (kg./pc)	Order Code
040 CTE 050 YT	40	50	1,2	0,773	3000333
040 CTE 100 YT	40	100	1,2	0,982	3000334
040 CTE 150 YT	40	150	1,2	1,244	3000335
040 CTE 200 YT	40	200	1,2	1,561	3000336
040 CTE 250 YT	40	250	1,2	1,931	3000337
040 CTE 300 YT	40	300	1,5	2,744	3000338
040 CTE 400 YT	40	400	1,5	3,988	3000339
040 CTE 500 YT	40	500	1,5	5,501	3000340
040 CTE 600 YT	40	600	2	9,378	3000341
050 CTE 050 YT	50	50	1,2	0,879	3000342
050 CTE 100 YT	50	100	1,2	1,094	3000343
050 CTE 150 YT	50	150	1,2	1,362	3000344
050 CTE 200 YT	50	200	1,2	1,684	3000345
050 CTE 250 YT	50	250	1,2	2,059	3000346
050 CTE 300 YT	50	300	1,5	2,877	3000347
050 CTE 400 YT	50	400	1,5	4,132	3000348
050 CTE 500 YT	50	500	1,5	5,656	3000349
050 CTE 600 YT	50	600	2	9,544	3000350
060 CTE 100 YT	60	100	1,2	1,205	3000352
060 CTE 150 YT	60	150	1,2	1,479	3000353
060 CTE 200 YT	60	200	1,2	1,806	3000354
060 CTE 250 YT	60	250	1,2	2,187	3000355
060 CTE 300 YT	60	300	1,5	2,912	3000356
060 CTE 400 YT	60	400	1,5	4,277	3000357
060 CTE 500 YT	60	500	1,5	5,810	3000358
060 CTE 600 YT	60	600	2	9,709	3000359
075 CTE 100 YT	75	100	1,2	1,373	3000360
075 CTE 150 YT	75	150	1,2	1,654	3000361
075 CTE 200 YT	75	200	1,2	1,990	3000362
075 CTE 250 YT	75	250	1,2	2,378	3000363
075 CTE 300 YT	75	300	1,5	3,211	3000364
075 CTE 400 YT	75	400	1,5	4,492	3000365
075 CTE 500 YT	75	500	1,5	6,042	3000366
075 CTE 600 YT	75	600	2	9,957	3000367
100 CTE 100 YT	100	100	1,2	1,652	3000368
100 CTE 150 YT	100	150	1,2	1,947	3000369
100 CTE 200 YT	100	200	1,2	2,296	3000370
100 CTE 250 YT	100	250	1,2	2,698	3000371
100 CTE 300 YT	100	300	1,5	3,543	3000372
100 CTE 400 YT	100	400	1,5	4,851	3000373
100 CTE 500 YT	100	500	1,5	6,428	3000374
100 CTE 600 YT	100	600	2	10,370	3000375



H=040, H=050, H=060 single line perforated.
 H=075 double line perforated.
 H=100 triple line perforated.
 H=125 four rows perforated.
 H=150 five rows perforated.

Description	H (mm)	ABC (mm)	T (mm)	Weight (kg./pc)	Order Code
125 CTE 150 YT	125	150	1,5	2,673	3003207
125 CTE 200 YT	125	200	1,5	2,926	3003208
125 CTE 250 YT	125	250	1,5	3,623	3003209
125 CTE 300 YT	125	300	1,5	4,198	3003210
125 CTE 400 YT	125	400	1,5	5,532	3003211
125 CTE 500 YT	125	500	1,5	7,124	3003212
125 CTE 600 YT	125	600	2	11,541	3003213
150 CTE 200 YT	150	200	1,5	3,466	3003214
150 CTE 250 YT	150	250	1,5	3,988	3003215
150 CTE 300 YT	150	300	1,5	4,574	3003216
150 CTE 400 YT	150	400	1,5	5,941	3003217
150 CTE 500 YT	150	500	1,5	7,566	3003218
150 CTE 600 YT	150	600	2	11,950	3003219

■ Please indicate order code in your orders.

■ Material weights may vary by ± 10%

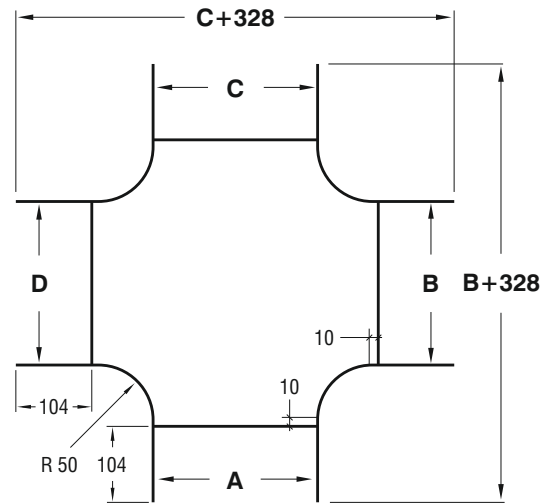
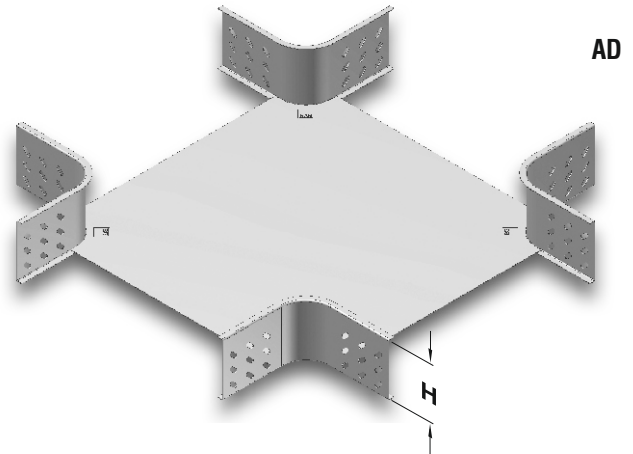
■ Please contact us for special size.

▶▶ CTE "+" CONNECTION MODULE R=50

Hot Dip Galvanized After Fabrication (TS EN ISO 1461)

Description	H (mm)	ABCD (mm)	T (mm)	Weight (kg./pc)	Order Code
040 CTE 050 AD	40	50	1,2	0,968	3000376
040 CTE 100 AD	40	100	1,2	1,177	3000377
040 CTE 150 AD	40	150	1,2	1,440	3000378
040 CTE 200 AD	40	200	1,2	1,756	3000379
040 CTE 250 AD	40	250	1,2	2,126	3000380
040 CTE 300 AD	40	300	1,5	2,990	3000381
040 CTE 400 AD	40	400	1,5	4,251	3000382
040 CTE 500 AD	40	500	1,5	5,779	3000383
040 CTE 600 AD	40	600	2	9,839	3000384
050 CTE 050 AD	50	50	1,2	1,099	3000385
050 CTE 100 AD	50	100	1,2	1,308	3000386
050 CTE 150 AD	50	150	1,2	1,571	3000387
050 CTE 200 AD	50	200	1,2	1,888	3000388
050 CTE 250 AD	50	250	1,2	2,258	3000389
050 CTE 300 AD	50	300	1,5	3,122	3000390
050 CTE 400 AD	50	400	1,5	4,383	3000391
050 CTE 500 AD	50	500	1,5	5,911	3000392
050 CTE 600 AD	50	600	2	9,970	3000393
060 CTE 100 AD	60	100	1,2	1,440	3000395
060 CTE 150 AD	60	150	1,2	1,703	3000396
060 CTE 200 AD	60	200	1,2	2,019	3000397
060 CTE 250 AD	60	250	1,2	2,390	3000398
060 CTE 300 AD	60	300	1,5	3,253	3000399
060 CTE 400 AD	60	400	1,5	4,513	3000400
060 CTE 500 AD	60	500	1,5	6,042	3000401
060 CTE 600 AD	60	600	2	10,101	3000402
075 CTE 100 AD	75	100	1,2	1,638	3000403
075 CTE 150 AD	75	150	1,2	1,900	3000404
075 CTE 200 AD	75	200	1,2	2,217	3000405
075 CTE 250 AD	75	250	1,2	2,586	3000406
075 CTE 300 AD	75	300	1,5	3,451	3000407
075 CTE 400 AD	75	400	1,5	4,711	3000408
075 CTE 500 AD	75	500	1,5	6,240	3000409
075 CTE 600 AD	75	600	2	10,299	3000410
100 CTE 100 AD	100	100	1,2	1,966	3000411
100 CTE 150 AD	100	150	1,2	2,229	3000412
100 CTE 200 AD	100	200	1,2	2,545	3000413
100 CTE 250 AD	100	250	1,2	2,915	3000414
100 CTE 300 AD	100	300	1,5	3,779	3000415
100 CTE 400 AD	100	400	1,5	5,040	3000416
100 CTE 500 AD	100	500	1,5	6,568	3000417
100 CTE 600 AD	100	600	2	10,628	3000418
125 CTE 150 AD	125	150	1,5	3,035	3003220
125 CTE 200 AD	125	200	1,5	3,531	3003221
125 CTE 250 AD	125	250	1,5	3,880	3003222
125 CTE 300 AD	125	300	1,5	4,391	3003223
125 CTE 400 AD	125	400	1,5	5,608	3003224
125 CTE 500 AD	125	500	1,5	7,085	3003225
125 CTE 600 AD	125	600	2	11,821	3003226
150 CTE 200 AD	150	200	1,5	3,795	3003227
150 CTE 250 AD	150	250	1,5	4,242	3003228
150 CTE 300 AD	150	300	1,5	4,753	3003229
150 CTE 400 AD	150	400	1,5	5,971	3003230
150 CTE 500 AD	150	500	1,5	7,447	3003231
150 CTE 600 AD	150	600	2	12,183	3003232

"+" Connection Module



H=040, H=050, H=060 single line perforated.
 H=075 double line perforated.
 H=100 triple line perforated.
 H=125 four rows perforated.
 H=150 five rows perforated.

Description	H (mm)	ABCD (mm)	T (mm)	Weight (kg./pc)	Order Code
125 CTE 150 AD	125	150	1,5	3,035	3003220
125 CTE 200 AD	125	200	1,5	3,531	3003221
125 CTE 250 AD	125	250	1,5	3,880	3003222
125 CTE 300 AD	125	300	1,5	4,391	3003223
125 CTE 400 AD	125	400	1,5	5,608	3003224
125 CTE 500 AD	125	500	1,5	7,085	3003225
125 CTE 600 AD	125	600	2	11,821	3003226
150 CTE 200 AD	150	200	1,5	3,795	3003227
150 CTE 250 AD	150	250	1,5	4,242	3003228
150 CTE 300 AD	150	300	1,5	4,753	3003229
150 CTE 400 AD	150	400	1,5	5,971	3003230
150 CTE 500 AD	150	500	1,5	7,447	3003231
150 CTE 600 AD	150	600	2	12,183	3003232

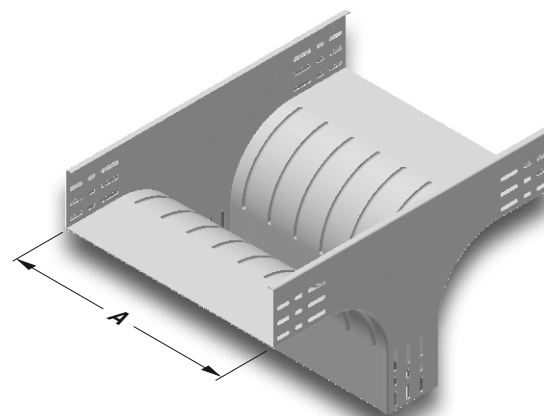
■ Please indicate order code in your orders.

■ Material weights may vary by ± 10%

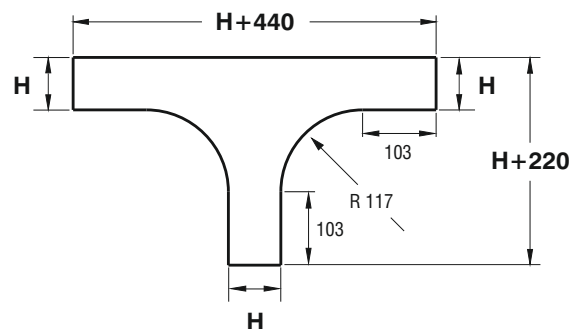
■ Please contact us for special size.

►► CTH "T" MIDDLE DESCENT MODULE $R=117$ Hot Dip Galvanized After Fabrication (TS EN ISO 1461)

Description	H (mm)	A (mm)	T (mm)	Weight (kg./pc)	Order Code
040 CTH 050 TO	40	50	1,5	1,645	3005814
040 CTH 100 TO	40	100	1,5	2,193	3005927
040 CTH 150 TO	40	150	1,5	2,701	3005925
040 CTH 200 TO	40	200	1,5	3,209	3005923
040 CTH 250 TO	40	250	1,5	3,718	3005921
040 CTH 300 TO	40	300	1,5	4,226	3005919
040 CTH 400 TO	40	400	1,5	5,242	3005720
040 CTH 500 TO	40	500	1,5	6,259	3005718
040 CTH 600 TO	40	600	1,5	7,275	3005716
050 CTH 050 TO	50	50	1,5	1,842	3001167
050 CTH 100 TO	50	100	1,5	2,350	3007546
050 CTH 150 TO	50	150	1,5	2,858	3007242
050 CTH 200 TO	50	200	1,5	3,367	3007544
050 CTH 250 TO	50	250	1,5	3,875	3007240
050 CTH 300 TO	50	300	1,5	4,383	3007542
050 CTH 400 TO	50	400	1,5	5,399	3007540
050 CTH 500 TO	50	500	1,5	6,416	3007538
050 CTH 600 TO	50	600	1,5	7,432	3007536
060 CTH 100 TO	60	100	1,5	2,591	3005911
060 CTH 150 TO	60	150	1,5	3,099	3005909
060 CTH 200 TO	60	200	1,5	3,608	3005907
060 CTH 250 TO	60	250	1,5	4,116	3005905
060 CTH 300 TO	60	300	1,5	4,624	3005903
060 CTH 400 TO	60	400	1,5	5,640	3005704
060 CTH 500 TO	60	500	1,5	6,653	3005702
060 CTH 600 TO	60	600	1,5	7,673	3005700
075 CTH 100 TO	75	100	1,5	2,865	3007238
075 CTH 150 TO	75	150	1,5	3,373	3007236
075 CTH 200 TO	75	200	1,5	3,881	3007534
075 CTH 250 TO	75	250	1,5	4,390	3007234
075 CTH 300 TO	75	300	1,5	4,898	3007532
075 CTH 400 TO	75	400	1,5	5,914	3007530
075 CTH 500 TO	75	500	1,5	6,931	3007528
075 CTH 600 TO	75	600	1,5	7,947	3007526
100 CTH 100 TO	100	100	1,5	3,372	3001168
100 CTH 150 TO	100	150	1,5	3,881	3007232
100 CTH 200 TO	100	200	1,5	4,390	3007524
100 CTH 250 TO	100	250	1,5	4,897	3007230
100 CTH 300 TO	100	300	1,5	5,405	3007522
100 CTH 400 TO	100	400	1,5	6,421	3007520
100 CTH 500 TO	100	500	1,5	7,438	3007518
100 CTH 600 TO	100	600	1,5	8,454	3007516



TO



H=040, H=050, H=060 single line perforated.
H=075 double line perforated.
H=100 triple line perforated.
H=125 four rows perforated.
H=150 five rows perforated.

Description	H (mm)	A (mm)	T (mm)	Weight (kg./pc)	Order Code
125 CTH 150 TO	125	150	1,5	4,461	3003233
125 CTH 200 TO	125	200	1,5	5,007	3003234
125 CTH 250 TO	125	250	1,5	5,612	3003235
125 CTH 300 TO	125	300	1,5	6,102	3003236
125 CTH 400 TO	125	400	1,5	7,195	3003237
125 CTH 500 TO	125	500	1,5	8,290	3003238
125 CTH 600 TO	125	600	1,5	9,383	3003239
150 CTH 200 TO	150	200	1,5	5,427	3003240
150 CTH 250 TO	150	250	1,5	5,675	3003241
150 CTH 300 TO	150	300	1,5	6,521	3003242
150 CTH 400 TO	150	400	1,5	7,615	3003243
150 CTH 500 TO	150	500	1,5	8,709	3003244
150 CTH 600 TO	150	600	1,5	10,511	3003245

■ Please indicate order code in your orders.

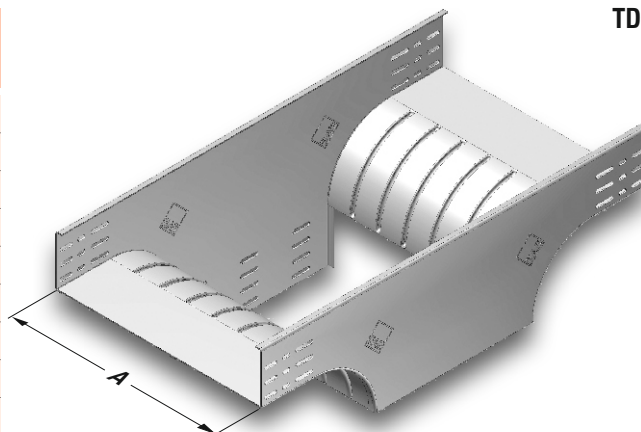
■ Material weights may vary by $\pm 10\%$

■ Please contact us for special size.

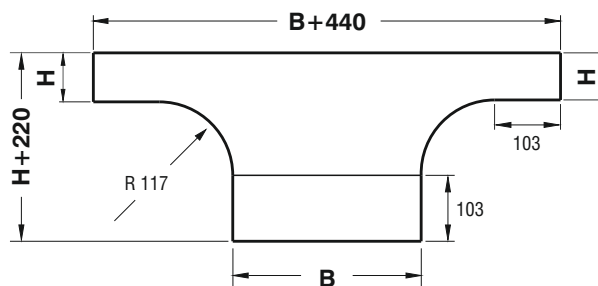
▶▶ CTH "T" WALL DESCENT MODULE **R=117**

Hot Dip Galvanized After Fabrication (TS EN ISO 1461)

Description	H (mm)	A (mm)	B (mm)	T (mm)	Weight (kg./pc.)	Order Code
040 CTH 050 TD	40	50	50	1,5	1,509	3005812
040 CTH 100 TD	40	100	100	1,5	2,201	3005959
040 CTH 150 TD	40	150	150	1,5	2,871	3005957
040 CTH 200 TD	40	200	200	1,5	3,544	3005955
040 CTH 250 TD	40	250	250	1,5	4,264	3005953
040 CTH 300 TD	40	300	300	1,5	4,943	3005951
040 CTH 400 TD	40	400	300	1,5	5,764	3005800
040 CTH 500 TD	40	500	300	1,5	6,585	3005798
040 CTH 600 TD	40	600	300	1,5	7,409	3005796
<hr/>						
050 CTH 050 TD	50	50	50	1,5	1,637	3001169
050 CTH 100 TD	50	100	100	1,5	2,341	3007482
050 CTH 150 TD	50	150	150	1,5	3,045	3007270
050 CTH 200 TD	50	200	200	1,5	3,738	3007480
050 CTH 250 TD	50	250	250	1,5	4,442	3007268
050 CTH 300 TD	50	300	300	1,5	5,135	3007478
050 CTH 400 TD	50	400	300	1,5	5,955	3007476
050 CTH 500 TD	50	500	300	1,5	6,776	3007474
050 CTH 600 TD	50	600	300	1,5	7,600	3007472
<hr/>						
060 CTH 100 TD	60	100	100	1,5	2,481	3005943
060 CTH 150 TD	60	150	150	1,5	3,199	3005941
060 CTH 200 TD	60	200	200	1,5	3,904	3005939
060 CTH 250 TD	60	250	250	1,5	4,621	3005937
060 CTH 300 TD	60	300	300	1,5	5,326	3005935
060 CTH 400 TD	60	400	300	1,5	6,148	3005766
060 CTH 500 TD	60	500	300	1,5	6,969	3005764
060 CTH 600 TD	60	600	300	1,5	7,791	3005762
<hr/>						
075 CTH 100 TD	75	100	100	1,5	2,665	3007266
075 CTH 150 TD	75	150	150	1,5	3,402	3007264
075 CTH 200 TD	75	200	200	1,5	4,127	3007470
075 CTH 250 TD	75	250	250	1,5	4,863	3007262
075 CTH 300 TD	75	300	300	1,5	5,588	3007468
075 CTH 400 TD	75	400	300	1,5	6,140	3007466
075 CTH 500 TD	75	500	300	1,5	7,230	3007464
075 CTH 600 TD	75	600	300	1,5	8,053	3007462
<hr/>						
100 CTH 100 TD	100	100	100	1,5	2,990	3001426
100 CTH 150 TD	100	150	150	1,5	3,759	3007260
100 CTH 200 TD	100	200	200	1,5	4,516	3007460
100 CTH 250 TD	100	250	250	1,5	5,284	3007258
100 CTH 300 TD	100	300	300	1,5	6,042	3007458
100 CTH 400 TD	100	400	300	1,5	6,863	3007456
100 CTH 500 TD	100	500	300	1,5	7,784	3007454
100 CTH 600 TD	100	600	300	1,5	8,507	3007452



TD



H=040, H=050, H=060 single line perforated.
 H=075 double line perforated.
 H=100 triple line perforated.
 H=125 four rows perforated.
 H=150 five rows perforated.

Description	H (mm)	A (mm)	B (mm)	T (mm)	Weight (kg./pc.)	Order Code
125 CTH 150 TD	125	150	150	1,5	4,115	3003246
125 CTH 200 TD	125	200	200	1,5	4,905	3003247
125 CTH 250 TD	125	250	250	1,5	5,706	3003248
125 CTH 300 TD	125	300	300	1,5	6,496	3003249
125 CTH 400 TD	125	400	300	1,5	7,317	3003250
125 CTH 500 TD	125	500	300	1,5	8,138	3003251
125 CTH 600 TD	125	600	300	1,5	8,961	3003252
<hr/>						
150 CTH 200 TD	150	200	200	1,5	5,293	3003253
150 CTH 250 TD	150	250	250	1,5	6,127	3003254
150 CTH 300 TD	150	300	300	1,5	6,950	3003255
150 CTH 400 TD	150	400	300	1,5	7,770	3003256
150 CTH 500 TD	150	500	300	1,5	8,591	3003257
150 CTH 600 TD	150	600	300	1,5	9,961	3003258

■ Please indicate order code in your orders.

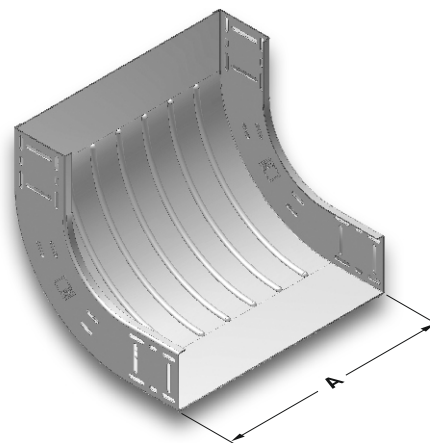
■ Material weights may vary by ± 10%

■ Please contact us for special size.

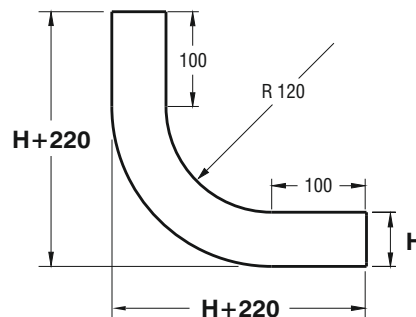
►► CTH CONCAVE MODULE (90°) R=120

Hot Dip Galvanized After Fabrication (TS EN ISO 1461)

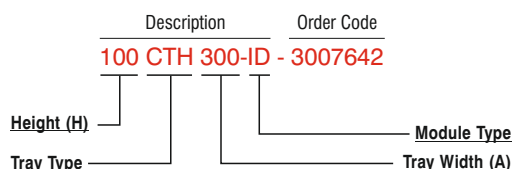
Description	H (mm)	A (mm)	T (mm)	Weight (kg./pc)	Order Code
040 CTH 050 ID	40	50	1,5	0,878	3005816
040 CTH 100 ID	40	100	1,5	1,169	3006125
040 CTH 150 ID	40	150	1,5	1,458	3006123
040 CTH 200 ID	40	200	1,5	1,749	3006121
040 CTH 250 ID	40	250	1,5	2,039	3006119
040 CTH 300 ID	40	300	1,5	2,329	3006117
040 CTH 400 ID	40	400	1,5	2,910	3006115
040 CTH 500 ID	40	500	1,5	3,491	3006113
040 CTH 600 ID	40	600	1,5	4,538	3006111
050 CTH 050 ID	50	50	1,5	1,057	3001165
050 CTH 100 ID	50	100	1,5	1,359	3007664
050 CTH 150 ID	50	150	1,5	1,705	3007188
050 CTH 200 ID	50	200	1,5	2,005	3007662
050 CTH 250 ID	50	250	1,5	2,305	3007186
050 CTH 300 ID	50	300	1,5	2,604	3007660
050 CTH 400 ID	50	400	1,5	3,220	3007658
050 CTH 500 ID	50	500	1,5	3,824	3007656
050 CTH 600 ID	50	600	1,5	4,428	3007654
060 CTH 100 ID	60	100	1,5	1,615	3006109
060 CTH 150 ID	60	150	1,5	1,918	3006107
060 CTH 200 ID	60	200	1,5	2,231	3006105
060 CTH 250 ID	60	250	1,5	2,543	3006103
060 CTH 300 ID	60	300	1,5	2,854	3006101
060 CTH 400 ID	60	400	1,5	3,479	3006099
060 CTH 500 ID	60	500	1,5	4,103	3006097
060 CTH 600 ID	60	600	1,5	4,728	3006095
075 CTH 100 ID	75	100	1,5	1,785	3007184
075 CTH 150 ID	75	150	1,5	2,113	3007182
075 CTH 200 ID	75	200	1,5	2,440	3007652
075 CTH 250 ID	75	250	1,5	2,885	3007180
075 CTH 300 ID	75	300	1,5	3,295	3006061
075 CTH 400 ID	75	400	1,5	3,990	3007650
075 CTH 500 ID	75	500	1,5	4,605	3007648
075 CTH 600 ID	75	600	1,5	5,535	3007646
100 CTH 100 ID	100	100	1,5	2,141	3001166
100 CTH 150 ID	100	150	1,5	2,493	3007178
100 CTH 200 ID	100	200	1,5	2,844	3007644
100 CTH 250 ID	100	250	1,5	3,195	3007176
100 CTH 300 ID	100	300	1,5	3,546	3007642
100 CTH 400 ID	100	400	1,5	4,248	3007640
100 CTH 500 ID	100	500	1,5	4,950	3007638
100 CTH 600 ID	100	600	1,5	5,652	3007636



ID



Sample Order:
 Height (H): 50 mm,
 Tray Width (A): 300 mm,
 Sheet Metal Thickness (T): 1,5 mm,
 Type of Coating (S): Hot Dip Galvanized,
 Module Type: Concave Module



■ Please indicate order code in your orders.

■ Material weights may vary by ± 10%

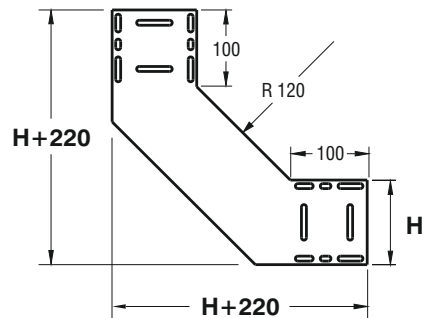
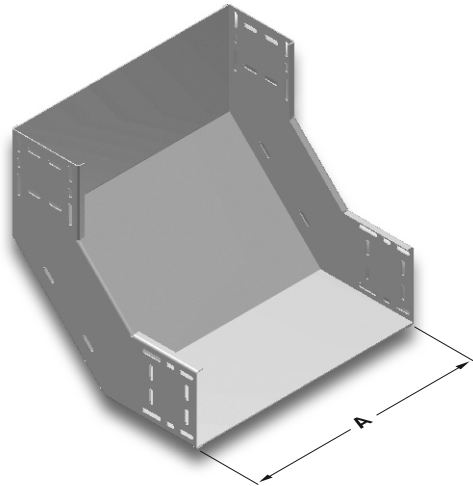
■ Please contact us for special size.

▶▶ CTH CONCAVE MODULE (90°) R=120

Hot Dip Galvanized After Fabrication (TS EN ISO 1461)

Description	H (mm)	A (mm)	T (mm)	Weight (kg./pc)	Order Code
125 CTH 150 ID	125	150	1,5	2,859	3003259
125 CTH 200 ID	125	200	1,5	3,237	3003260
125 CTH 250 ID	125	250	1,5	3,616	3003261
125 CTH 300 ID	125	300	1,5	3,994	3003262
125 CTH 400 ID	125	400	1,5	4,830	3003263
125 CTH 500 ID	125	500	1,5	5,509	3003264
125 CTH 600 ID	125	600	1,5	6,266	3003265
150 CTH 200 ID	150	200	1,5	3,742	3003266
150 CTH 250 ID	150	250	1,5	4,148	3003267
150 CTH 300 ID	150	300	1,5	4,554	3003268
150 CTH 400 ID	150	400	1,5	5,365	3003269
150 CTH 500 ID	150	500	1,5	6,177	3003270
150 CTH 600 ID	150	600	1,5	6,988	3003271

ID



Sample Order:

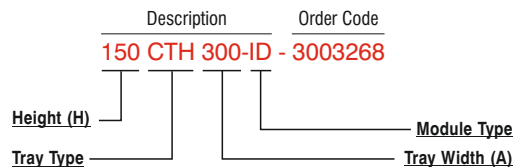
Height (H): 150 mm,

Tray Width (A): 300 mm,

Sheet Metal Thickness (T): 1,5 mm,

Type of Coating (S): Hot Dip Galvanized,

Module Type: Concave Module



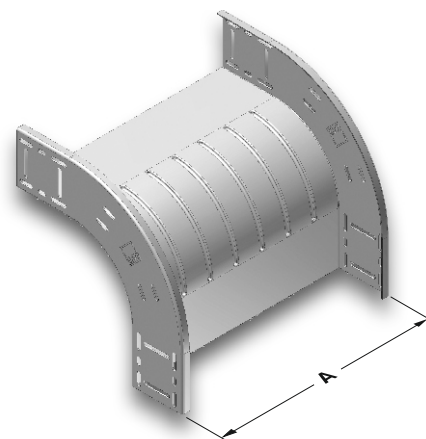
■ Please indicate order code in your orders.

■ Material weights may vary by ± 10%

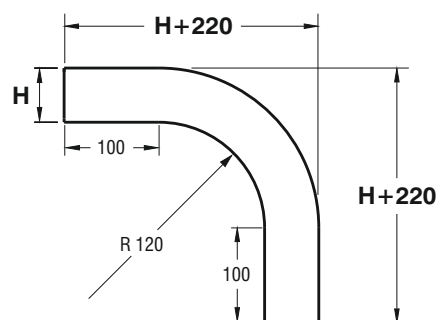
■ Please contact us for special size.

►► **CTH CONVEX MODULE (90°) R=120**
 Hot Dip Galvanized After Fabrication (TS EN ISO 1461)

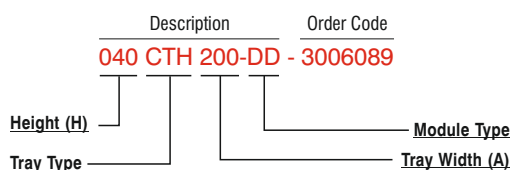
Description	H (mm)	A (mm)	T (mm)	Weight (kg./pc)	Order Code
040 CTH 050 DD	40	50	1,5	0,941	3005818
040 CTH 100 DD	40	100	1,5	1,196	3006093
040 CTH 150 DD	40	150	1,5	1,451	3006091
040 CTH 200 DD	40	200	1,5	1,707	3006089
040 CTH 250 DD	40	250	1,5	1,961	3006087
040 CTH 300 DD	40	300	1,5	2,216	3006085
040 CTH 400 DD	40	400	1,5	2,726	3005792
040 CTH 500 DD	40	500	1,5	3,237	3005790
040 CTH 600 DD	40	600	1,5	3,747	3005788
050 CTH 050 DD	50	50	1,5	1,014	3001163
050 CTH 100 DD	50	100	1,5	1,269	3007602
050 CTH 150 DD	50	150	1,5	1,525	3007214
050 CTH 200 DD	50	200	1,5	1,780	3007600
050 CTH 250 DD	50	250	1,5	2,035	3006964
050 CTH 300 DD	50	300	1,5	2,290	3006962
050 CTH 400 DD	50	400	1,5	2,801	3006960
050 CTH 500 DD	50	500	1,5	3,311	3006958
050 CTH 600 DD	50	600	1,5	3,821	3006956
060 CTH 100 DD	60	100	1,5	1,397	3006077
060 CTH 150 DD	60	150	1,5	1,652	3006075
060 CTH 200 DD	60	200	1,5	1,907	3006073
060 CTH 250 DD	60	250	1,5	2,163	3006071
060 CTH 300 DD	60	300	1,5	2,418	3006069
060 CTH 400 DD	60	400	1,5	2,928	3005750
060 CTH 500 DD	60	500	1,5	3,439	3005748
060 CTH 600 DD	60	600	1,5	3,949	3005746
075 CTH 100 DD	75	100	1,5	1,596	3007212
075 CTH 150 DD	75	150	1,5	1,851	3007210
075 CTH 200 DD	75	200	1,5	2,107	3007598
075 CTH 250 DD	75	250	1,5	2,362	3007208
075 CTH 300 DD	75	300	1,5	2,617	3007596
075 CTH 400 DD	75	400	1,5	3,127	3007594
075 CTH 500 DD	75	500	1,5	3,638	3007592
075 CTH 600 DD	75	600	1,5	4,148	3007590
100 CTH 100 DD	100	100	1,5	1,949	3001164
100 CTH 150 DD	100	150	1,5	2,204	3007206
100 CTH 200 DD	100	200	1,5	2,459	3007588
100 CTH 250 DD	100	250	1,5	2,714	3007204
100 CTH 300 DD	100	300	1,5	2,969	3007586
100 CTH 400 DD	100	400	1,5	3,479	3007584
100 CTH 500 DD	100	500	1,5	3,990	3007582
100 CTH 600 DD	100	600	1,5	4,500	3007580



DD



Sample Order:
 Height (H): 40 mm,
 Tray Width (A): 200 mm,
 Sheet Metal Thickness (T): 1,5 mm,
 Type of Coating (S): Hot Dip Galvanized,
 Module Type: Convex Module



■ Please indicate order code in your orders.

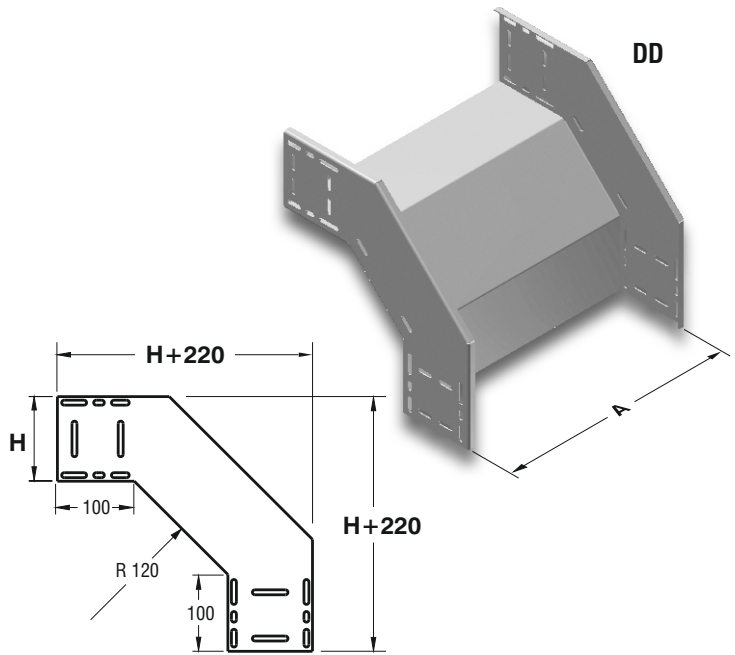
■ Material weights may vary by ± 10%

■ Please contact us for special size.

►► CTH CONVEX MODULE (90°) R=120

Hot Dip Galvanized After Fabrication (TS EN ISO 1461)

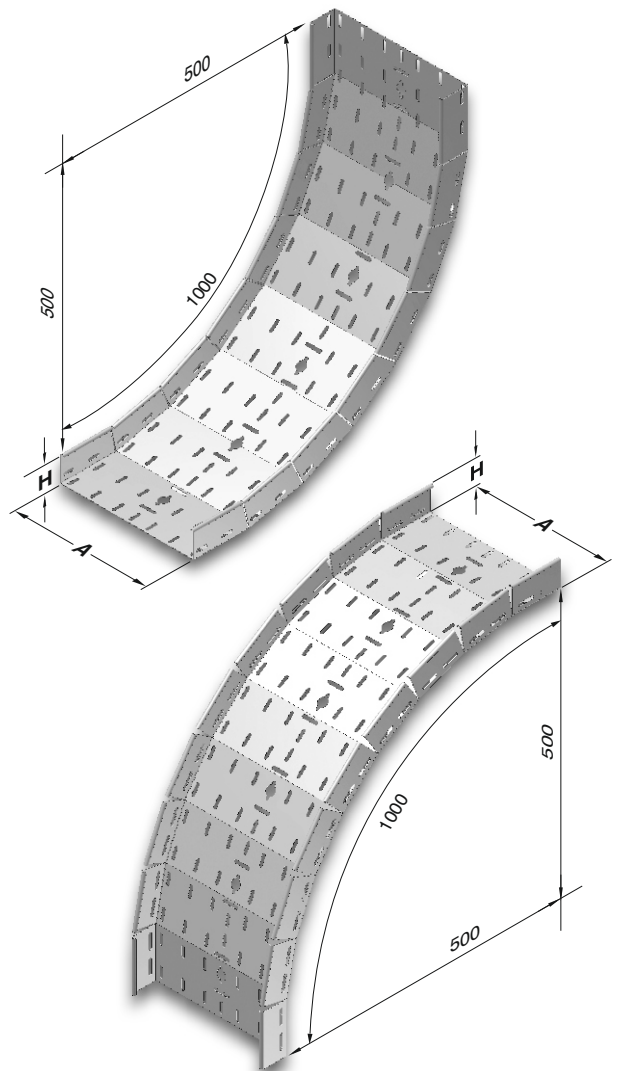
Description	H (mm)	A (mm)	T (mm)	Weight (kg./pc)	Order Code
125 CTH 150 DD	125	150	1,5	2,465	3003272
125 CTH 200 DD	125	200	1,5	2,716	3003273
125 CTH 250 DD	125	250	1,5	2,965	3003274
125 CTH 300 DD	125	300	1,5	3,216	3003275
125 CTH 400 DD	125	400	1,5	3,717	3003276
125 CTH 500 DD	125	500	1,5	4,217	3003277
125 CTH 600 DD	125	600	1,5	4,718	3003278
150 CTH 200 DD	150	200	1,5	3,121	3003279
150 CTH 250 DD	150	250	1,5	3,370	3003280
150 CTH 300 DD	150	300	1,5	3,621	3003281
150 CTH 400 DD	150	400	1,5	4,122	3003282
150 CTH 500 DD	150	500	1,5	4,622	3003283
150 CTH 600 DD	150	600	1,5	5,123	3003284



►► CTH ADJUSTABLE CONCAVE MODULE

Hot Dip Galvanized After Fabrication (TS EN ISO 1461)

Description	H (mm)	A (mm)	T (mm)	Weight (kg./pc)	Order Code
040 CTH 050 ADJ. CONCAVE	40	50	1	1,058	3004340
040 CTH 100 ADJ. CONCAVE	40	100	1	1,420	3004342
040 CTH 150 ADJ. CONCAVE	40	150	1	1,774	3004344
040 CTH 200 ADJ. CONCAVE	40	200	1,2	2,543	3004346
040 CTH 250 ADJ. CONCAVE	40	250	1,2	2,968	3004348
040 CTH 300 ADJ. CONCAVE	40	300	1,5	4,227	3004350
040 CTH 400 ADJ. CONCAVE	40	400	1,5	5,289	3004352
040 CTH 500 ADJ. CONCAVE	40	500	1,5	6,349	3004354
040 CTH 600 ADJ. CONCAVE	40	600	1,5	7,411	3004356
060 CTH 100 ADJ. CONCAVE	60	100	1	1,720	3004360
060 CTH 150 ADJ. CONCAVE	60	150	1	2,074	3004362
060 CTH 200 ADJ. CONCAVE	60	200	1,2	2,903	3004364
060 CTH 250 ADJ. CONCAVE	60	250	1,2	3,328	3004366
060 CTH 300 ADJ. CONCAVE	60	300	1,5	4,689	3004368
060 CTH 400 ADJ. CONCAVE	60	400	1,5	5,738	3004370
060 CTH 500 ADJ. CONCAVE	60	500	1,5	6,799	3004372
060 CTH 600 ADJ. CONCAVE	60	600	1,5	7,861	3004374



■ Please indicate order code in your orders.

■ Material weights may vary by ± 10%

■ Please contact us for special size.

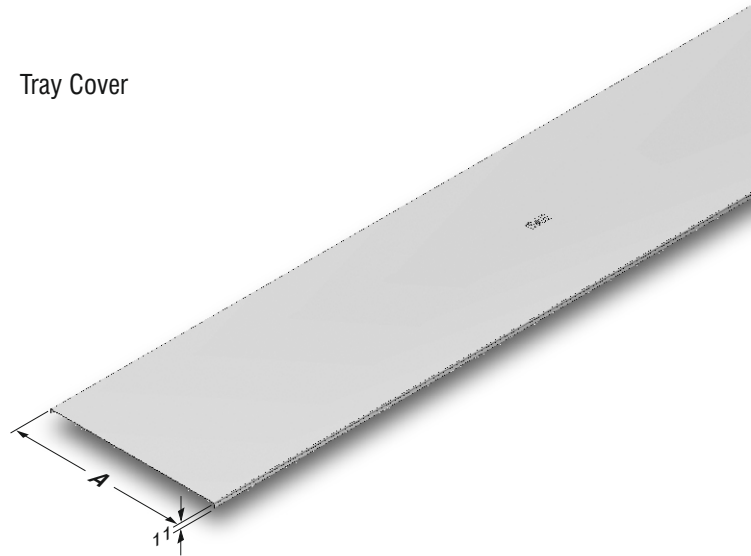
▶▶ CTH TRAY COVER

Hot Dip Galvanized After Fabrication (TS EN ISO 1461)

Description	A (mm)	T (mm)	Weight (kg./m.)	Order Code
CTH 050 COVER	55	1	0,624	3005426
CTH 100 COVER	105	1	1,059	3006907
CTH 150 COVER	155	1	1,492	3006905
CTH 200 COVER	205	1	1,927	3006903
CTH 250 COVER	255	1,5	3,540	3006901
CTH 300 COVER	305	1,5	4,191	3006899
CTH 400 COVER	405	1,5	5,493	3006897
CTH 500 COVER	505	1,5	6,795	3006895
CTH 600 COVER	605	1,5	8,097	3006893

■ Standard length is 3000 mm.

Tray Cover

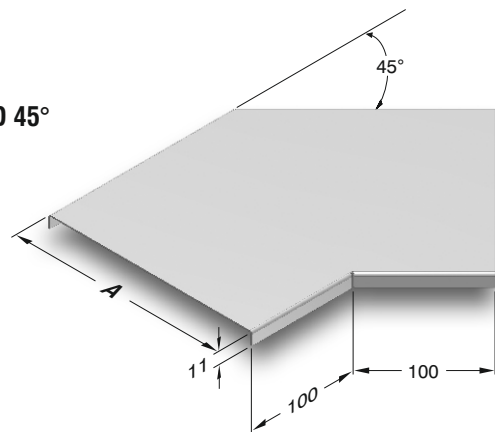


▶▶ CTE HORIZONTAL ELBOW MODULE COVER (45°)

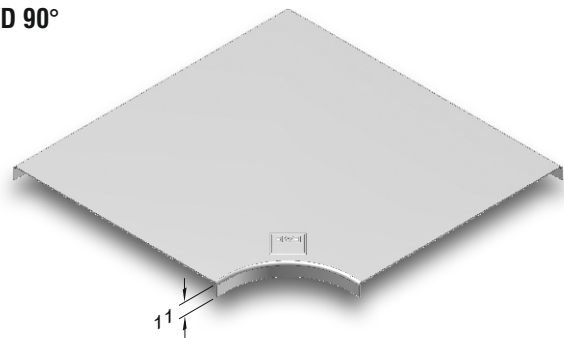
Hot Dip Galvanized After Fabrication (TS EN ISO 1461)

Description	A (mm)	T (mm)	Weight (kg./pc.)	Order Code
CTE 050 YD 45°	55	1,2	0,167	3000489
CTE 100 YD 45°	105	1,2	0,307	3000490
CTE 150 YD 45°	155	1,2	0,467	3000491
CTE 200 YD 45°	205	1,2	0,649	3000492
CTE 250 YD 45°	255	1,2	0,853	3000493
CTE 300 YD 45°	305	1,5	1,348	3000494
CTE 400 YD 45°	405	1,5	1,993	3000495
CTE 500 YD 45°	505	1,5	2,745	3000496
CTE 600 YD 45°	605	2	4,807	3000497

YD 45°



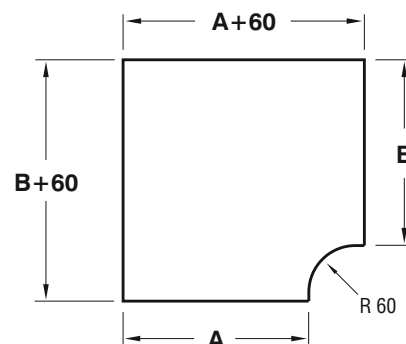
YD 90°



▶▶ CTE HORIZONTAL ELBOW MODULE COVER (90°)

Hot Dip Galvanized After Fabrication (TS EN ISO 1461)

Description	AB (mm)	T (mm)	Weight (kg./pc.)	Order Code
CTE 50 YD 90°	55	1,2	0,142	3000462
CTE 100 YD 90°	105	1,2	0,299	3000463
CTE 150 YD 90°	155	1,2	0,507	3000464
CTE 200 YD 90°	205	1,2	0,767	3000465
CTE 250 YD 90°	255	1,2	1,080	3000466
CTE 300 YD 90°	305	1,5	1,805	3000467
CTE 400 YD 90°	405	1,5	2,912	3000468
CTE 500 YD 90°	505	1,5	4,279	3000469
CTE 600 YD 90°	605	2	7,875	3000470



■ Please indicate order code in your orders.

■ Please contact us for special size.

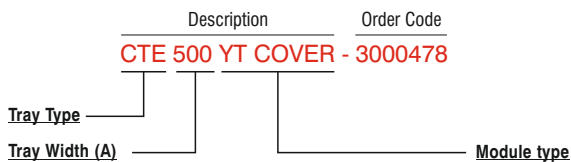
■ Material weights may vary by ± 10%

▶▶ CTE "T" MODULE COVER

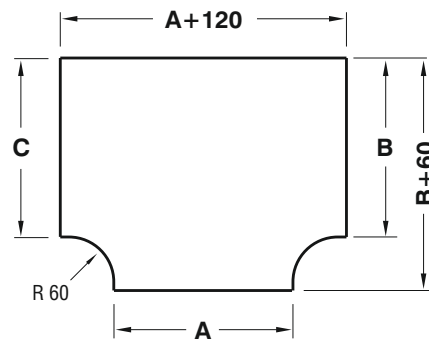
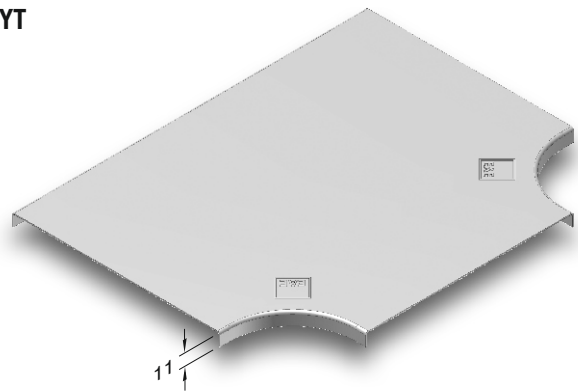
Hot Dip Galvanized After Fabrication (TS EN ISO 1461)

Description	ABC (mm)	T (mm)	Weight (kg/pc)	Order Code
CTE 50 YT	55	1,2	0,180	3000471
CTE 100 YT	105	1,2	0,360	3000472
CTE 150 YT	155	1,2	0,592	3000473
CTE 200 YT	205	1,2	0,876	3000474
CTE 250 YT	255	1,2	1,212	3000475
CTE 300 YT	305	1,5	1,999	3000476
CTE 400 YT	405	1,5	3,164	3000477
CTE 500 YT	505	1,5	4,590	3000478
CTE 600 YT	605	2	8,368	3000479

Sample Order:



YT

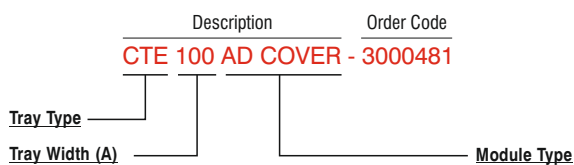


▶▶ CTE "+" CONNECTION MODULE COVER

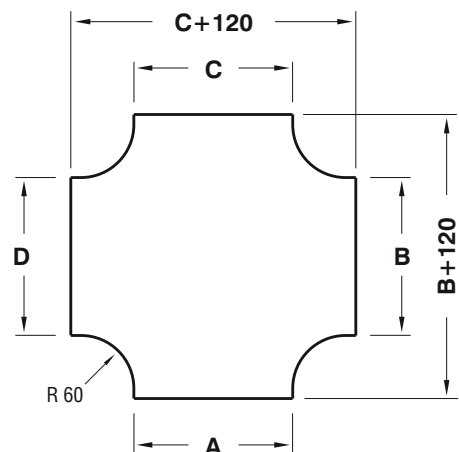
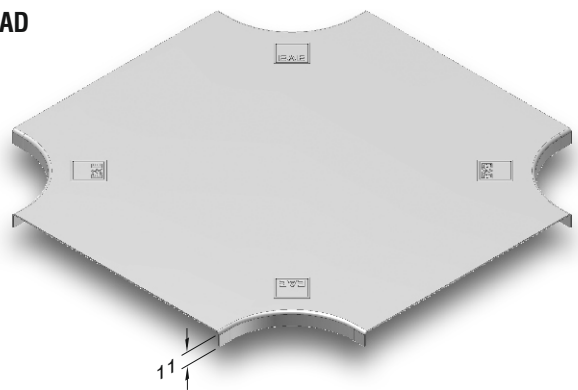
Hot Dip Galvanized After Fabrication (TS EN ISO 1461)

Description	ABCD (mm)	T (mm)	Weight (kg/pc)	Order Code
CTE 50 AD	55	1,2	0,235	3000480
CTE 100 AD	105	1,2	0,430	3000481
CTE 150 AD	155	1,2	0,701	3000482
CTE 200 AD	205	1,2	1,013	3000483
CTE 250 AD	255	1,2	1,376	3000484
CTE 300 AD	305	1,5	2,238	3000485
CTE 400 AD	405	1,5	3,469	3000486
CTE 500 AD	505	1,5	4,958	3000487
CTE 600 AD	605	2	8,944	3000488

Sample Order:



AD



■ Please indicate order code in your orders.

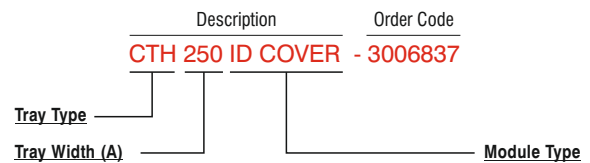
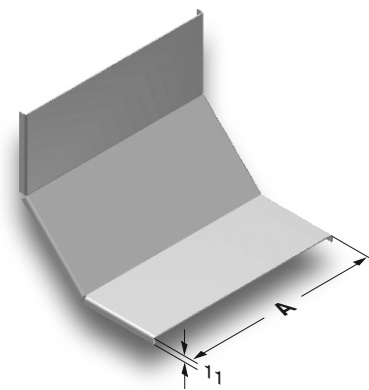
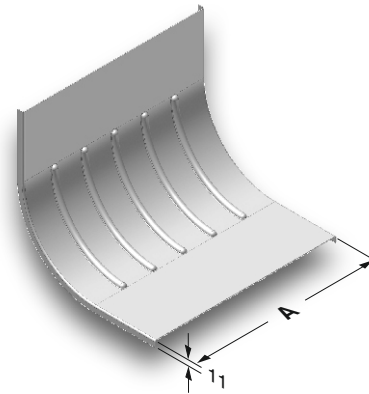
■ Please contact us for special size.

■ Material weights may vary by ± 10%

▶▶ CTH CONCAVE MODULE COVER (90°) Hot Dip Galvanized After Fabrication (TS EN ISO 1461)

Description	A (mm)	T (mm)	Weight (kg/pc)	Order Code
CTH 050 ID COVER	55	1,5	0,384	3005418
CTH 100 ID COVER	105	1,5	0,634	3006843
CTH 150 ID COVER	155	1,5	0,883	3006841
CTH 200 ID COVER	205	1,5	1,133	3006839
CTH 250 ID COVER	255	1,5	1,382	3006837
CTH 300 ID COVER	305	1,5	1,632	3006835
CTH 400 ID COVER	405	1,5	2,131	3006833
CTH 500 ID COVER	505	1,5	2,630	3006831
CTH 600 ID COVER	605	1,5	3,129	3006829
<hr/>				
125 CTH 150 ID COVER	155	1,5	0,861	3024363
125 CTH 200 ID COVER	205	1,5	1,109	3024364
125 CTH 250 ID COVER	255	1,5	1,356	3024365
125 CTH 300 ID COVER	305	1,5	1,604	3024366
125 CTH 400 ID COVER	405	1,5	2,100	3024367
125 CTH 500 ID COVER	505	1,5	2,595	3024368
125 CTH 600 ID COVER	605	1,5	3,091	3024369
<hr/>				
150 CTH 200 ID COVER	205	1,5	1,109	3024364
150 CTH 250 ID COVER	255	1,5	1,356	3024365
150 CTH 300 ID COVER	305	1,5	1,604	3024366
150 CTH 400 ID COVER	405	1,5	2,100	3024367
150 CTH 500 ID COVER	505	1,5	2,595	3024368
150 CTH 600 ID COVER	605	1,5	3,091	3024369

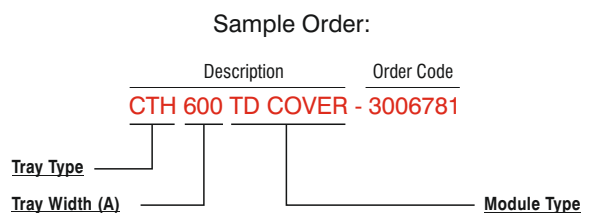
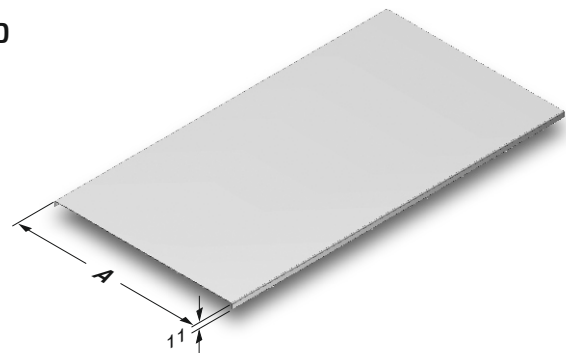
ID



▶▶ CTH "T" WALL DESCENT MODULE COVER Hot Dip Galvanized After Fabrication (TS EN ISO 1461)

Description	ABC (mm)	T (mm)	Weight (kg/pc)	Order Code
CTH 050 TD COVER	55	1,5	0,479	3005396
CTH 100 TD COVER	105	1,5	0,879	3006795
CTH 150 TD COVER	155	1,5	1,344	3006793
CTH 200 TD COVER	205	1,5	1,728	3006791
CTH 250 TD COVER	255	1,5	2,291	3006789
CTH 300 TD COVER	305	1,5	3,131	3006787
CTH 400 TD COVER	405	1,5	4,094	3006785
CTH 500 TD COVER	505	1,5	5,058	3006783
CTH 600 TD COVER	605	1,5	6,021	3006781

TD



- Please indicate order code in your orders.
- Material weights may vary by ± 10%

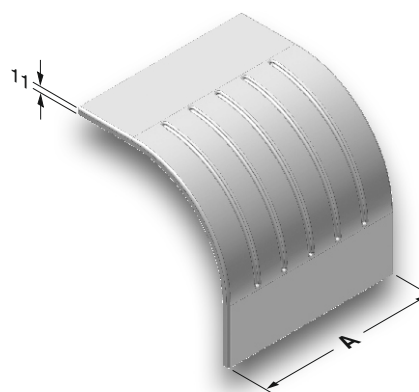
■ Please contact us for special size.

▶▶ CTH CONVEX MODULE COVER (90°)

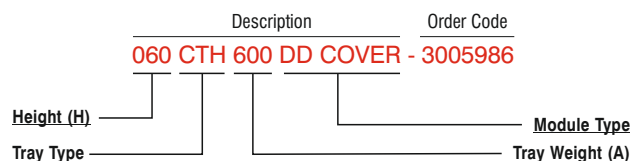
Hot Dip Galvanized After Fabrication (TS EN ISO 1461)

Description	A (mm)	T (mm)	Weight (kg/pc.)	Order Code
040 CTH 050 DD COVER	55	1,5	0,447	3005416
040 CTH 100 DD COVER	105	1,5	0,737	3006827
040 CTH 150 DD COVER	155	1,5	1,027	3006825
040 CTH 200 DD COVER	205	1,5	1,317	3006823
040 CTH 250 DD COVER	255	1,5	1,608	3006821
040 CTH 300 DD COVER	305	1,5	1,898	3006819
040 CTH 400 DD COVER	405	1,5	2,478	3006817
040 CTH 500 DD COVER	505	1,5	3,058	3006815
040 CTH 600 DD COVER	605	1,5	3,639	3006813
050 CTH 050 DD COVER	55	1,5	0,463	3001190
050 CTH 100 DD COVER	105	1,5	0,763	3006016
050 CTH 150 DD COVER	155	1,5	1,063	3006014
050 CTH 200 DD COVER	205	1,5	1,364	3006012
050 CTH 250 DD COVER	255	1,5	1,664	3006010
050 CTH 300 DD COVER	305	1,5	1,964	3006008
050 CTH 400 DD COVER	405	1,5	2,565	3006006
050 CTH 500 DD COVER	505	1,5	3,166	3006004
050 CTH 600 DD COVER	605	1,5	3,766	3006002
060 CTH 100 DD COVER	105	1,5	0,789	3006000
060 CTH 150 DD COVER	155	1,5	1,099	3005998
060 CTH 200 DD COVER	205	1,5	1,410	3005996
060 CTH 250 DD COVER	255	1,5	1,720	3005994
060 CTH 300 DD COVER	305	1,5	2,031	3005992
060 CTH 400 DD COVER	405	1,5	2,652	3005990
060 CTH 500 DD COVER	505	1,5	3,273	3005988
060 CTH 600 DD COVER	605	1,5	3,894	3005986
075 CTH 100 DD COVER	105	1,5	0,827	3005984
075 CTH 150 DD COVER	155	1,5	1,153	3005414
075 CTH 200 DD COVER	205	1,5	1,479	3005982
075 CTH 250 DD COVER	255	1,5	1,805	3005412
075 CTH 300 DD COVER	305	1,5	2,130	3005980
075 CTH 400 DD COVER	405	1,5	2,782	3005978
075 CTH 500 DD COVER	505	1,5	3,434	3005976
075 CTH 600 DD COVER	605	1,5	4,085	3005974
100 CTH 100 DD COVER	105	1,5	0,892	3001191
100 CTH 150 DD COVER	155	1,5	1,243	3005410
100 CTH 200 DD COVER	205	1,5	1,594	3005972
100 CTH 250 DD COVER	255	1,5	1,946	3005408
100 CTH 300 DD COVER	305	1,5	2,297	3005970
100 CTH 400 DD COVER	405	1,5	2,999	3005968
100 CTH 500 DD COVER	505	1,5	3,701	3005966
100 CTH 600 DD COVER	605	1,5	4,404	3005964

DD



Sample Order:



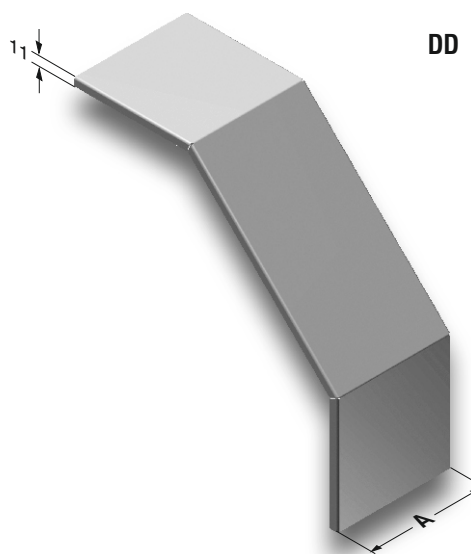
■ Please indicate order code in your orders.

■ Material weights may vary by ± 10%

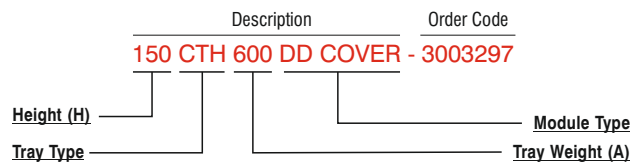
■ Please contact us for special size.

▶▶ CTH CONVEX MODULE COVER (90°) Hot Dip Galvanized After Fabrication (TS EN ISO 1461)

Description	A (mm)	T (mm)	Weight (kg/pc.)	Order Code
125 CTH 150 DD COVER	155	1,5	1,348	3003285
125 CTH 200 DD COVER	205	1,5	1,726	3003286
125 CTH 250 DD COVER	255	1,5	2,109	3003287
125 CTH 300 DD COVER	305	1,5	2,490	3003288
125 CTH 400 DD COVER	405	1,5	3,256	3003289
125 CTH 500 DD COVER	505	1,5	4,021	3003290
125 CTH 600 DD COVER	605	1,5	4,785	3003291
150 CTH 200 DD COVER	205	1,5	1,848	3003292
150 CTH 250 DD COVER	255	1,5	2,258	3003293
150 CTH 300 DD COVER	305	1,5	2,668	3003294
150 CTH 400 DD COVER	405	1,5	3,487	3003295
150 CTH 500 DD COVER	505	1,5	4,305	3003296
150 CTH 600 DD COVER	605	1,5	5,126	3003297



Sample Order:



■ Please indicate order code in your orders.

■ Material weights may vary by ± 10%

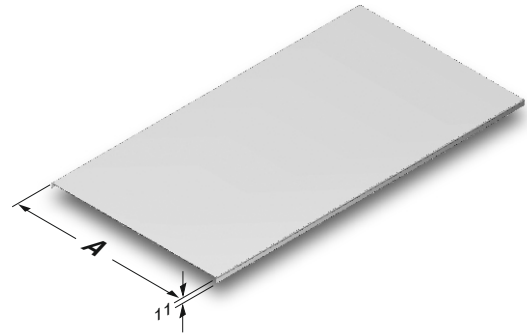
■ Please contact us for special size.

▶▶ CTH "T" MIDDLE DESCENT MODULE COVER

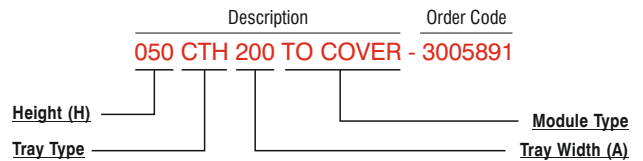
Hot Dip Galvanized After Fabrication (TS EN ISO 1461)

Description	A (mm)	T (mm)	Weight (kg./pc)	Order Code
040 CTH 050 TO COVER	55	1,5	0,469	3005406
040 CTH 100 TO COVER	105	1,5	0,781	3006811
040 CTH 150 TO COVER	155	1,5	1,093	3006809
040 CTH 200 TO COVER	205	1,5	1,406	3006807
040 CTH 250 TO COVER	255	1,5	1,718	3006805
040 CTH 300 TO COVER	305	1,5	2,031	3006803
040 CTH 400 TO COVER	405	1,5	2,655	3006801
040 CTH 500 TO COVER	505	1,5	3,280	3006799
040 CTH 600 TO COVER	605	1,5	3,906	3006797
050 CTH 050 TO COVER	55	1,5	0,479	3001188
050 CTH 100 TO COVER	105	1,5	0,798	3005895
050 CTH 150 TO COVER	155	1,5	1,117	3005893
050 CTH 200 TO COVER	205	1,5	1,436	3005891
050 CTH 250 TO COVER	255	1,5	1,755	3005889
050 CTH 300 TO COVER	305	1,5	2,074	3005887
050 CTH 400 TO COVER	405	1,5	2,712	3005885
050 CTH 500 TO COVER	505	1,5	3,350	3005883
050 CTH 600 TO COVER	605	1,5	3,986	3005881
060 CTH 100 TO COVER	105	1,5	0,814	3005879
060 CTH 150 TO COVER	155	1,5	1,140	3005877
060 CTH 200 TO COVER	205	1,5	1,464	3005875
060 CTH 250 TO COVER	255	1,5	1,790	3005873
060 CTH 300 TO COVER	305	1,5	2,115	3005871
060 CTH 400 TO COVER	405	1,5	2,767	3005869
060 CTH 500 TO COVER	505	1,5	3,418	3005867
060 CTH 600 TO COVER	605	1,5	4,068	3005865
075 CTH 100 TO COVER	105	1,5	0,838	3005863
075 CTH 150 TO COVER	155	1,5	1,174	3005404
075 CTH 200 TO COVER	205	1,5	1,508	3005861
075 CTH 250 TO COVER	255	1,5	1,844	3005402
075 CTH 300 TO COVER	305	1,5	2,179	3005859
075 CTH 400 TO COVER	405	1,5	2,849	3005857
075 CTH 500 TO COVER	505	1,5	3,520	3005855
075 CTH 600 TO COVER	605	1,5	4,190	3005853
100 CTH 100 TO COVER	105	1,5	0,879	3001189
100 CTH 150 TO COVER	155	1,5	1,230	3005400
100 CTH 200 TO COVER	205	1,5	1,582	3005851
100 CTH 250 TO COVER	255	1,5	1,933	3005398
100 CTH 300 TO COVER	305	1,5	2,285	3005849
100 CTH 400 TO COVER	405	1,5	2,988	3005847
100 CTH 500 TO COVER	505	1,5	3,691	3005845
100 CTH 600 TO COVER	605	1,5	4,393	3005843

TO



Sample Order:



Description	A (mm)	T (mm)	Weight (kg./pc)	Order Code
125 CTH 150 TO COVER	155	1,5	1,282	3003298
125 CTH 200 TO COVER	205	1,5	1,647	3003299
125 CTH 250 TO COVER	255	1,5	2,013	3003300
125 CTH 300 TO COVER	305	1,5	2,379	3003301
125 CTH 400 TO COVER	405	1,5	3,111	3003302
125 CTH 500 TO COVER	505	1,5	3,842	3003303
125 CTH 600 TO COVER	605	1,5	4,575	3003304
150 CTH 200 TO COVER	205	1,5	1,720	3003305
150 CTH 250 TO COVER	255	1,5	2,102	3003306
150 CTH 300 TO COVER	305	1,5	2,484	3003307
150 CTH 400 TO COVER	405	1,5	3,248	3003308
150 CTH 500 TO COVER	505	1,5	4,013	3003309
150 CTH 600 TO COVER	605	1,5	4,777	3003310

■ Please indicate order code in your orders.

■ Material weights may vary by ± 10%

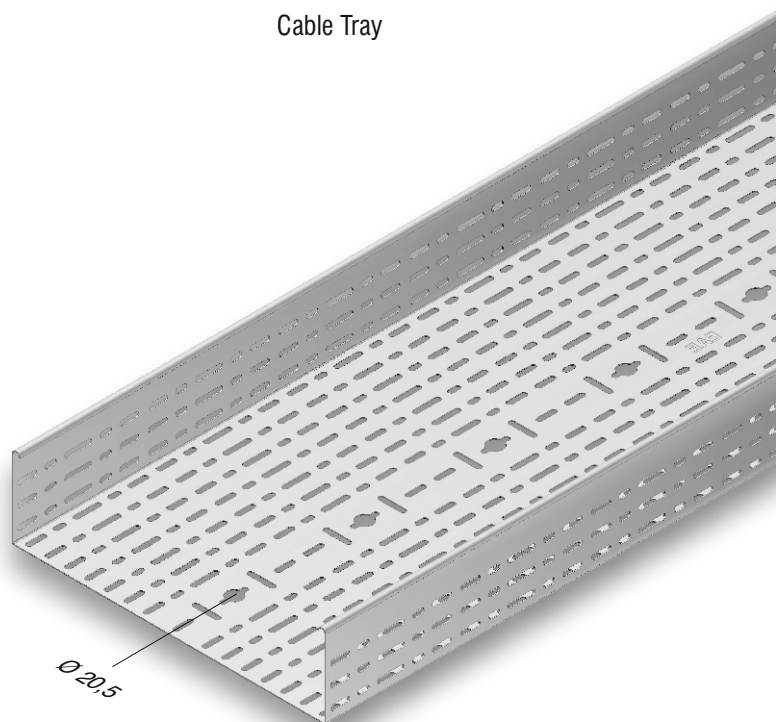
■ Please contact us for special size.

▶▶ CTA CABLE TRAYS

Hot Dip Galvanized After Fabrication (TS EN ISO 1461)

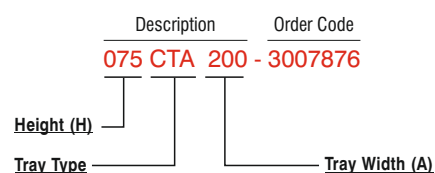
Description	H (mm)	A (mm)	T (mm)	Weight (kg./m)	Order Code
040 CTA 050	40	50	2	2,186	3005730
040 CTA 100	40	100	2	2,895	3000137
040 CTA 150	40	150	2	3,601	3000135
040 CTA 200	40	200	2	4,326	3000133
040 CTA 250	40	250	2	5,033	3000131
040 CTA 300	40	300	2	5,741	3000129
040 CTA 400	40	400	2	7,168	3000127
040 CTA 500	40	500	2	8,569	3000125
040 CTA 600	40	600	2	9,985	3000123
050 CTA 050	50	50	2	2,532	3001186
050 CTA 100	50	100	2	3,258	3007888
050 CTA 150	50	150	2	3,947	3007336
050 CTA 200	50	200	2	4,671	3007886
050 CTA 250	50	250	2	5,543	3007334
050 CTA 300	50	300	2	6,087	3007884
050 CTA 400	50	400	2	7,514	3007882
050 CTA 500	50	500	2	8,915	3007880
050 CTA 600	50	600	2	10,296	3007878
060 CTA 100	60	100	2	3,603	3000121
060 CTA 150	60	150	2	4,310	3000119
060 CTA 200	60	200	2	5,017	3000117
060 CTA 250	60	250	2	5,724	3000115
060 CTA 300	60	300	2	6,432	3000113
060 CTA 400	60	400	2	7,859	3000111
060 CTA 500	60	500	2	9,243	3000109
060 CTA 600	60	600	2	10,676	3000107
075 CTA 100	75	100	2	3,965	3007332
075 CTA 150	75	150	2	4,671	3007330
075 CTA 200	75	200	2	5,379	3007876
075 CTA 250	75	250	2	6,087	3007310
075 CTA 300	75	300	2	6,794	3007874
075 CTA 400	75	400	2	8,221	3007872
075 CTA 500	75	500	2	9,622	3007870
075 CTA 600	75	600	2	11,038	3007868
100 CTA 100	100	100	2	4,673	3001187
100 CTA 150	100	150	2	5,379	3007328
100 CTA 200	100	200	2	6,086	3007866
100 CTA 250	100	250	2	6,794	3007326
100 CTA 300	100	300	2	7,502	3007864
100 CTA 400	100	400	2	8,929	3007862
100 CTA 500	100	500	2	10,330	3007860
100 CTA 600	100	600	2	11,746	3007858

Cable Tray



H=040, H=050, H=060 single line perforated
 H=075 double line perforated
 H=100 triple line perforated

Sample Order:
 Height (H): 75 mm,
 Tray Width (A): 200 mm,
 Sheet Metal Thickness (T): 2 mm,
 Type of Coating (S): Hot Dip Galvanized,
 Module Type: Cable Tray.



- Please indicate order code in your orders.
- Material weights may vary by ± 10%

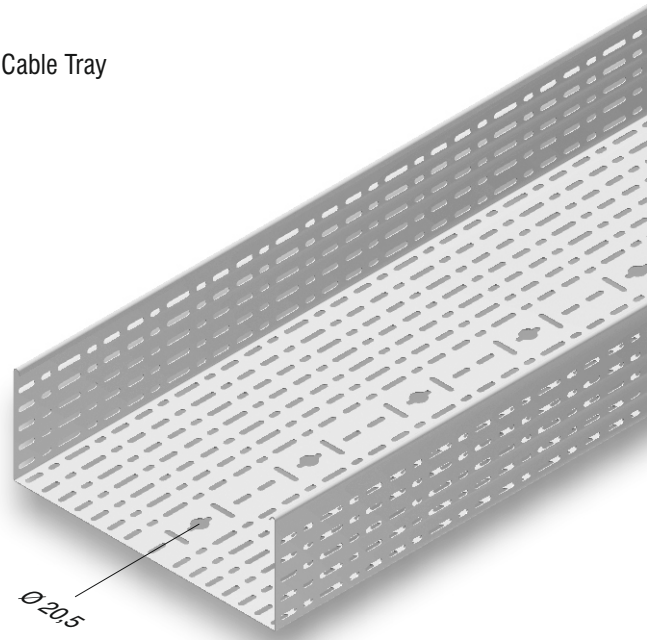
- Standard length is 3000 mm.
- Please contact us for special size.

▶▶ CTA CABLE TRAYS

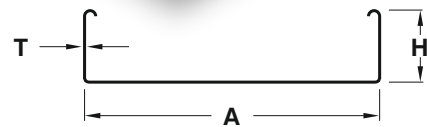
Hot Dip Galvanized After Fabrication (TS EN ISO 1461)

Description	H (mm)	A (mm)	T (mm)	Weight (kg./m)	Order Code
125 CTA 150	125	150	2	6,086	3003156
125 CTA 200	125	200	2	6,794	3003157
125 CTA 250	125	250	2	7,502	3003158
125 CTA 300	125	300	2	8,210	3003159
125 CTA 400	125	400	2	9,636	3003160
125 CTA 500	125	500	2	11,037	3003161
125 CTA 600	125	600	2	12,453	3003162
150 CTA 200	150	200	2	7,501	3003163
150 CTA 250	150	250	2	8,209	3003164
150 CTA 300	150	300	2	8,918	3003165
150 CTA 400	150	400	2	10,344	3003166
150 CTA 500	150	500	2	11,745	3003167
150 CTA 600	150	600	2	13,160	3007921

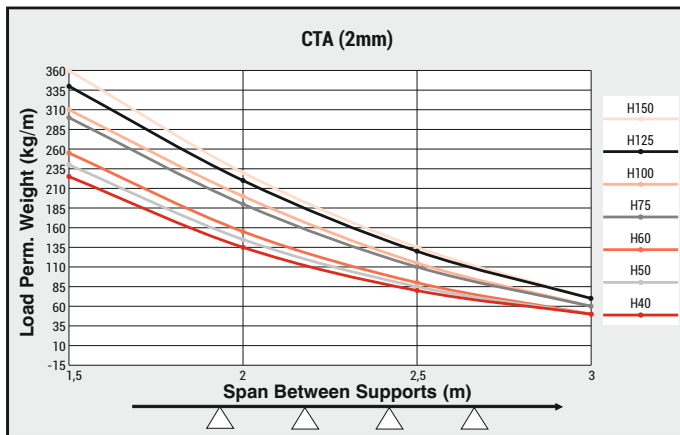
Cable Tray



Ø 20,5



H= 125 four rows perforated. H= 150 five rows perforated.



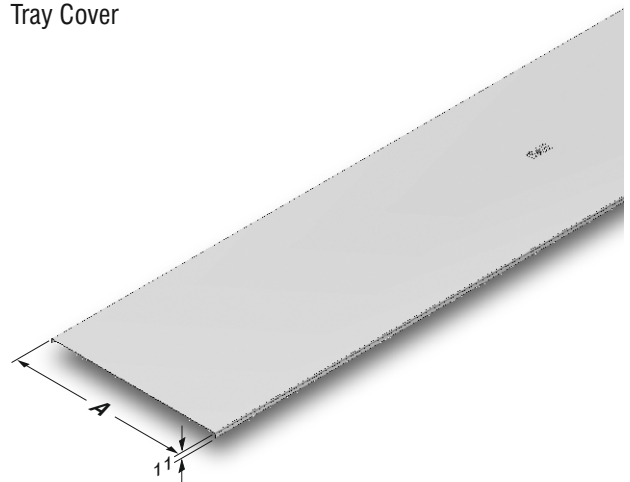
- Load Perm. Weight may change +/- according to the sheet tolerance and hardness. Please contact to your customer representative for detailed information.

▶▶ CTA TRAY COVER

Hot Dip Galvanized After Fabrication (TS EN ISO 1461)

Description	A (mm)	T (mm)	Weight (kg./m.)	Order Code
CTA 050 COVER	55	2	1,249	3005458
CTA 100 COVER	105	2	2,117	3005698
CTA 150 COVER	155	2	2,985	3005696
CTA 200 COVER	205	2	3,853	3005694
CTA 250 COVER	255	2	4,721	3005692
CTA 300 COVER	305	2	5,589	3005690
CTA 400 COVER	405	2	7,324	3005688
CTA 500 COVER	505	2	9,060	3005686
CTA 600 COVER	605	2	10,796	3005684

Tray Cover



- Please indicate order code in your orders.
- Material weights may vary by ± 10%

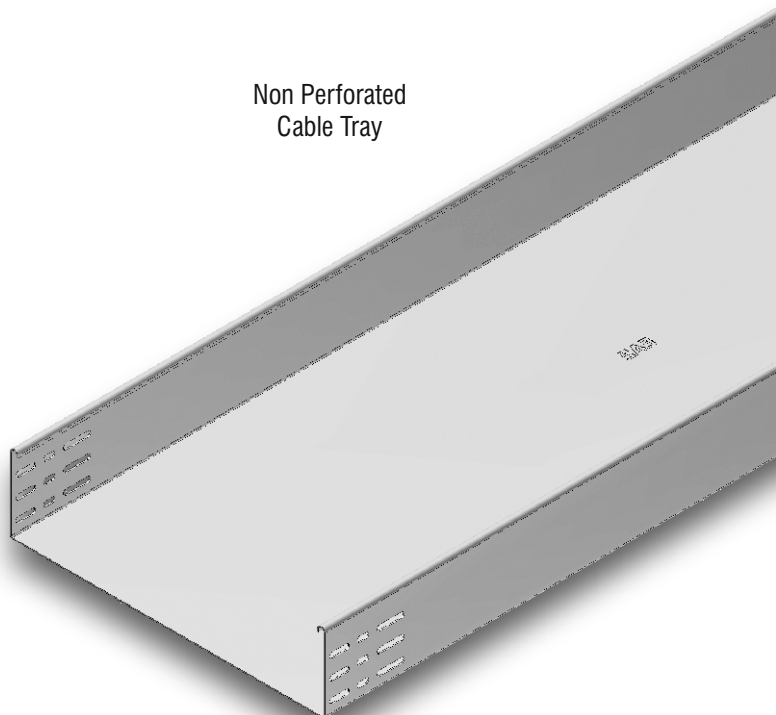
- Standard length is 3000 mm.
- Please contact us for special size.

▶▶ CTA-D CABLE TRAYS

Hot Dip Galvanized After Fabrication (TS EN ISO 1461)

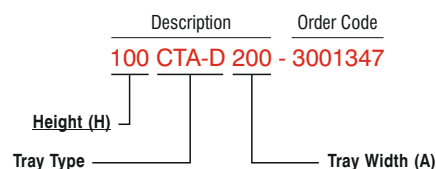
Description	H (mm)	A (mm)	T (mm)	Weight (kg./m)	Order Code
040 CTA-D 050	40	50	2	2,458	3001311
040 CTA-D 100	40	100	2	3,321	3001312
040 CTA-D 150	40	150	2	4,185	3001313
040 CTA-D 200	40	200	2	5,066	3001314
040 CTA-D 250	40	250	2	5,929	3001315
040 CTA-D 300	40	300	2	6,793	3001316
040 CTA-D 400	40	400	2	8,520	3001317
040 CTA-D 500	40	500	2	10,247	3001318
040 CTA-D 600	40	600	2	11,974	3001319
050 CTA-D 050	50	50	2	2,769	3001320
050 CTA-D 100	50	100	2	3,667	3001321
050 CTA-D 150	50	150	2	4,547	3001322
050 CTA-D 200	50	200	2	5,411	3001323
050 CTA-D 250	50	250	2	6,274	3001324
050 CTA-D 300	50	300	2	7,138	3001325
050 CTA-D 400	50	400	2	8,865	3001326
050 CTA-D 500	50	500	2	10,592	3001327
050 CTA-D 600	50	600	2	12,319	3001328
060 CTA-D 100	60	100	2	4,012	3001329
060 CTA-D 150	60	150	2	4,876	3001330
060 CTA-D 200	60	200	2	5,755	3001331
060 CTA-D 250	60	250	2	6,823	3001332
060 CTA-D 300	60	300	2	7,483	3001333
060 CTA-D 400	60	400	2	9,210	3001334
060 CTA-D 500	60	500	2	10,937	3001335
060 CTA-D 600	60	600	2	12,664	3001336
075 CTA-D 100	75	100	2	4,536	3001337
075 CTA-D 150	75	150	2	5,400	3001338
075 CTA-D 200	75	200	2	6,263	3001339
075 CTA-D 250	75	250	2	7,127	3001340
075 CTA-D 300	75	300	2	7,990	3001341
075 CTA-D 400	75	400	2	9,717	3001342
075 CTA-D 500	75	500	2	11,444	3001343
075 CTA-D 600	75	600	2	13,171	3001344
100 CTA-D 100	100	100	2	5,371	3001345
100 CTA-D 150	100	150	2	6,248	3001346
100 CTA-D 200	100	200	2	7,115	3001347
100 CTA-D 250	100	250	2	7,979	3001348
100 CTA-D 300	100	300	2	8,842	3001349
100 CTA-D 400	100	400	2	10,569	3001350
100 CTA-D 500	100	500	2	12,296	3001351
100 CTA-D 600	100	600	2	14,023	3001352

Non Perforated Cable Tray



H=040, H=050, H=060 single line perforated
 H=075 double line perforated
 H=100 triple line perforated

Sample Order:
 Height (H): 100 mm,
 Tray Width (A): 200 mm,
 Sheet Metal Thickness (T): 2 mm,
 Type of Coating (S): Hot Dip Galvanized,
 Module Type: Non Perforated Cable Tray.



- Please indicate order code in your orders.
- Material weights may vary by ± 10%

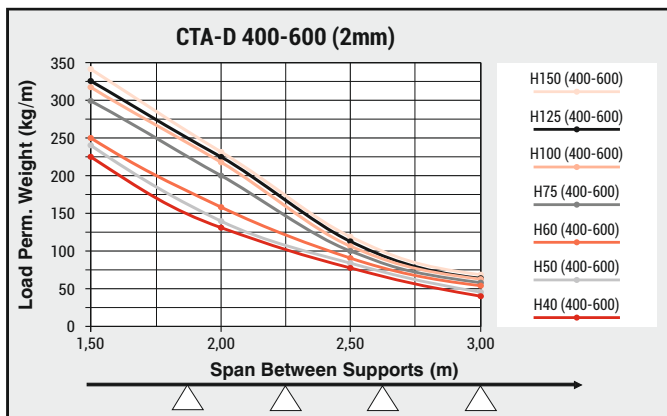
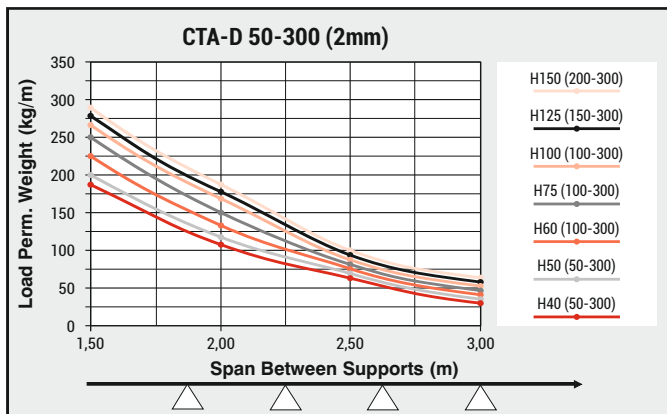
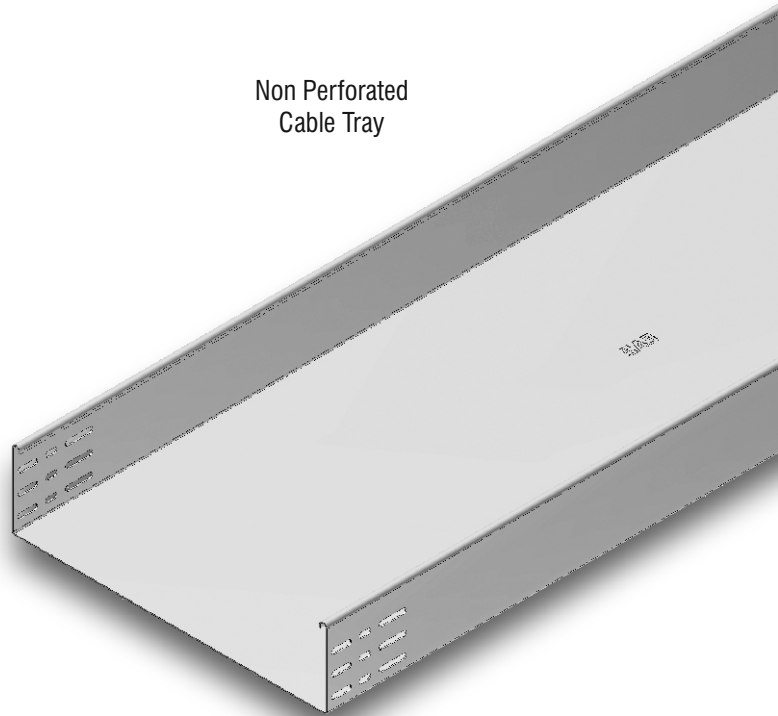
- Standard length is 3000 mm.
- Please contact us for special size.

▶▶ CTA-D CABLE TRAYS

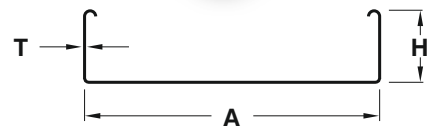
Hot Dip Galvanized (TS EN ISO 1461)

Description	H (mm)	A (mm)	T (mm)	Weight (kg./m.)	Order Code
125 CTA-D 150	125	150	2	7,014	3003168
125 CTA-D 200	125	200	2	7,877	3003169
125 CTA-D 250	125	250	2	8,741	3003170
125 CTA-D 300	125	300	2	9,604	3003171
125 CTA-D 400	125	400	2	11,331	3003172
125 CTA-D 500	125	500	2	13,058	3003173
125 CTA-D 600	125	600	2	14,785	3003174
150 CTA-D 200	150	200	2	8,707	3003175
150 CTA-D 250	150	250	2	9,570	3003176
150 CTA-D 300	150	300	2	10,434	3003177
150 CTA-D 400	150	400	2	12,161	3003178
150 CTA-D 500	150	500	2	13,888	3003179
150 CTA-D 600	150	600	2	15,615	3003180

Non Perforated Cable Tray



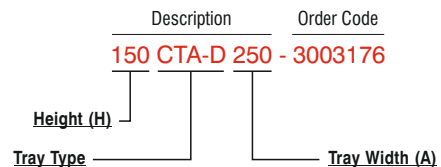
■ Load Perm. Weight may change +/- according to the sheet tolerance and hardness.
Please contact to your customer representative for detailed information.



H=040, H=050, H=060 single row perforated.
H=075 double rows perforated.
H=100 triple rows perforated.

Sample Order:

Height (H): 150 mm,
Tray Width (A): 250 mm,
Sheet Metal Thickness (T): 2 mm,
Type of Coating (S): Hot Dip Galvanized,
Module Type: Non Perforated Cable Tray.



■ Please indicate order code in your orders.

■ Material weights may vary by ± 10%

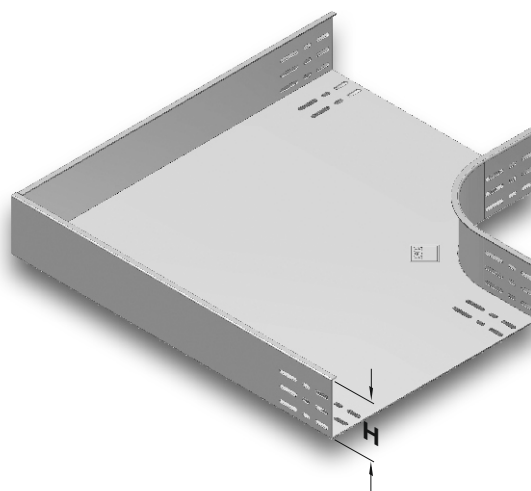
■ Standard length is 3000 mm.

■ Please contact us for special size.

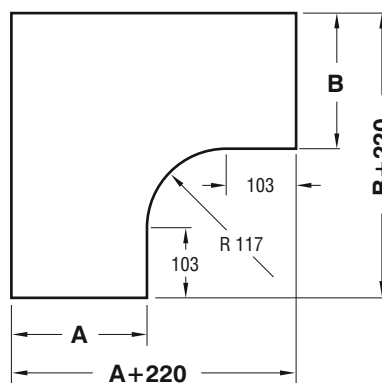
▶▶ CTA HORIZONTAL ELBOW MODULE (90°)

Hot Dip Galvanized (TS EN ISO 1461)

Description	H (mm)	AB (mm)	T (mm)	Weight (kg./pc.)	Order Code
040 CTA 050 YD	40	50	2	1,189	3005734
040 CTA 100 YD	40	100	2	1,775	3006295
040 CTA 150 YD	40	150	2	2,448	3006293
040 CTA 200 YD	40	200	2	3,207	3006291
040 CTA 250 YD	40	250	2	4,052	3006289
040 CTA 300 YD	40	300	2	4,984	3006287
040 CTA 400 YD	40	400	2	7,107	3006285
040 CTA 500 YD	40	500	2	9,574	3006283
040 CTA 600 YD	40	600	2	12,387	3006281
050 CTA 050 YD	50	50	2	1,302	3001184
050 CTA 100 YD	50	100	2	1,910	3007824
050 CTA 150 YD	50	150	2	2,604	3007118
050 CTA 200 YD	50	200	2	3,385	3007822
050 CTA 250 YD	50	250	2	4,253	3007116
050 CTA 300 YD	50	300	2	5,207	3007820
050 CTA 400 YD	50	400	2	7,378	3007818
050 CTA 500 YD	50	500	2	9,895	3007816
050 CTA 600 YD	50	600	2	12,759	3007814
060 CTA 100 YD	60	100	2	2,138	3006279
060 CTA 150 YD	60	150	2	2,850	3006277
060 CTA 200 YD	60	200	2	3,648	3006275
060 CTA 250 YD	60	250	2	4,534	3006273
060 CTA 300 YD	60	300	2	5,506	3006271
060 CTA 400 YD	60	400	2	7,710	3006269
060 CTA 500 YD	60	500	2	10,261	3006267
060 CTA 600 YD	60	600	2	13,161	3006265
075 CTA 100 YD	75	100	2	2,364	3007114
075 CTA 150 YD	75	150	2	3,103	3007112
075 CTA 200 YD	75	200	2	3,926	3007812
075 CTA 250 YD	75	250	2	4,838	3007110
075 CTA 300 YD	75	300	2	5,836	3007810
075 CTA 400 YD	75	400	2	8,092	3007808
075 CTA 500 YD	75	500	2	10,696	3007806
075 CTA 600 YD	75	600	2	13,647	3007804
100 CTA 100 YD	100	100	2	2,756	3001185
100 CTA 150 YD	100	150	2	3,537	3007108
100 CTA 200 YD	100	200	2	4,405	3007802
100 CTA 250 YD	100	250	2	5,360	3007106
100 CTA 300 YD	100	300	2	6,401	3007800
100 CTA 400 YD	100	400	2	8,744	3007798
100 CTA 500 YD	100	500	2	11,435	3007796
100 CTA 600 YD	100	600	2	14,472	3007794



YD



H=040, H=050, H=060 single row perforated.
 H=075 two rows perforated.
 H=100 three rows perforated.
 H=125 four rows perforated.
 H=150 five rows perforated.

Description	H (mm)	AB (mm)	T (mm)	Weight (kg./pc.)	Order Code
125 CTA 150 YD	125	150	2	3,861	3003412
125 CTA 200 YD	125	200	2	4,868	3003413
125 CTA 250 YD	125	250	2	5,860	3003414
125 CTA 300 YD	125	300	2	6,934	3003415
125 CTA 400 YD	125	400	2	9,354	3003416
125 CTA 500 YD	125	500	2	12,104	3003417
125 CTA 600 YD	125	600	2	15,222	3003418
150 CTA 200 YD	150	200	2	5,181	3003419
150 CTA 250 YD	150	250	2	6,398	3003420
150 CTA 300 YD	150	300	2	7,590	3003421
150 CTA 400 YD	150	400	2	9,669	3003422
150 CTA 500 YD	150	500	2	12,869	3003423
150 CTA 600 YD	150	600	2	16,062	3003424

■ Please indicate order code in your orders.

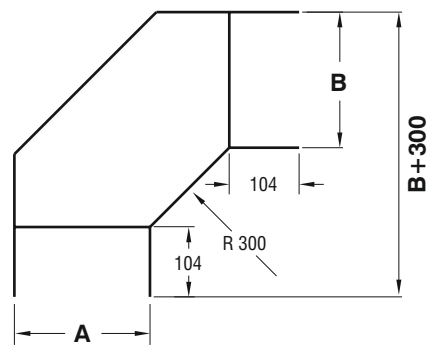
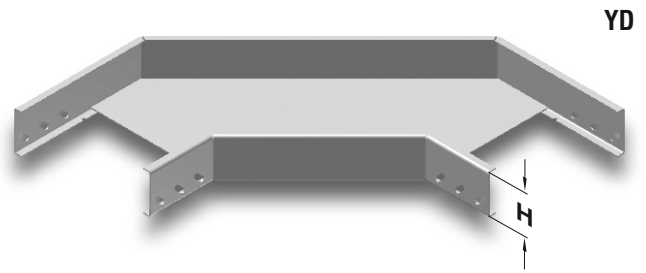
■ Material weights may vary by ± 10%

■ Please contact us for special size.

▶▶ CTA HORIZONTAL ELBOW MODULE (90°) R=300

Hot Dip Galvanized After Fabrication (TS EN ISO 1461)

Description	H (mm)	AB (mm)	T (mm)	Weight (kg./pc.)	Order Code
040 CTA 050 YD	40	50	2	1,289	3002500
040 CTA 100 YD	40	100	2	1,700	3002501
040 CTA 150 YD	40	150	2	2,182	3002502
040 CTA 200 YD	40	200	2	2,737	3002503
040 CTA 250 YD	40	250	2	3,363	3002504
040 CTA 300 YD	40	300	2	4,060	3002505
040 CTA 400 YD	40	400	2	5,669	3002506
040 CTA 500 YD	40	500	2	7,565	3002507
040 CTA 600 YD	40	600	2	9,746	3002508
050 CTA 050 YD	50	50	2	1,465	3002509
050 CTA 100 YD	50	100	2	1,890	3002510
050 CTA 150 YD	50	150	2	2,387	3002511
050 CTA 200 YD	50	200	2	2,956	3002512
050 CTA 250 YD	50	250	2	3,596	3002513
050 CTA 300 YD	50	300	2	4,308	3002514
050 CTA 400 YD	50	400	2	5,946	3002515
050 CTA 500 YD	50	500	2	7,860	3002516
050 CTA 600 YD	50	600	2	10,080	3002517
060 CTA 100 YD	60	100	2	2,077	3002518
060 CTA 150 YD	60	150	2	2,588	3002519
060 CTA 200 YD	60	200	2	3,171	3002520
060 CTA 250 YD	60	250	2	3,826	3002521
060 CTA 300 YD	60	300	2	4,552	3002522
060 CTA 400 YD	60	400	2	6,218	3002523
060 CTA 500 YD	60	500	2	8,171	3002524
060 CTA 600 YD	60	600	2	10,409	3002525
075 CTA 100 YD	75	100	2	2,331	3002526
075 CTA 150 YD	75	150	2	2,863	3002527
075 CTA 200 YD	75	200	2	3,467	3002528
075 CTA 250 YD	75	250	2	4,144	3002529
075 CTA 300 YD	75	300	2	4,891	3002530
075 CTA 400 YD	75	400	2	6,600	3002531
075 CTA 500 YD	75	500	2	8,597	3002532
075 CTA 600 YD	75	600	2	10,878	3002533
100 CTA 100 YD	100	100	2	2,771	3002534
100 CTA 150 YD	100	150	2	3,340	3002535
100 CTA 200 YD	100	200	2	3,980	3002536
100 CTA 250 YD	100	250	2	4,690	3002537
100 CTA 300 YD	100	300	2	5,474	3002538
100 CTA 400 YD	100	400	2	7,256	3002539
100 CTA 500 YD	100	500	2	9,323	3002540
100 CTA 600 YD	100	600	2	11,180	3002541



H=040, H=050, H=060 single row perforated.
 H=075 two rows perforated.
 H=100 three rows perforated.
 H=125 four rows perforated.
 H=150 five rows perforated.

Description	H (mm)	AB (mm)	T (mm)	Weight (kg./pc.)	Order Code
125 CTA 150 YD	125	150	2	3,815	3003425
125 CTA 200 YD	125	200	2	4,491	3003426
125 CTA 250 YD	125	250	2	5,238	3003427
125 CTA 300 YD	125	300	2	6,058	3003428
125 CTA 400 YD	125	400	2	7,910	3003429
125 CTA 500 YD	125	500	2	10,049	3003430
125 CTA 600 YD	125	600	2	12,473	3003431
150 CTA 200 YD	150	200	2	5,003	3003432
150 CTA 250 YD	150	250	2	5,786	3003433
150 CTA 300 YD	150	300	2	6,641	3003434
150 CTA 400 YD	150	400	2	8,565	3003435
150 CTA 500 YD	150	500	2	10,775	3003436
150 CTA 600 YD	150	600	2	13,272	3003437

■ Please indicate order code in your orders.

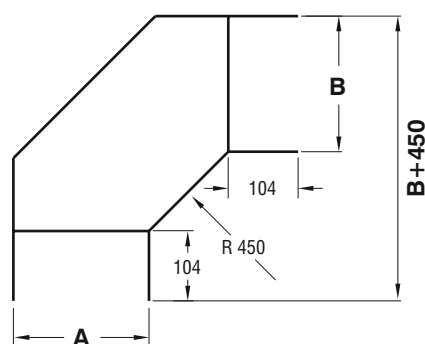
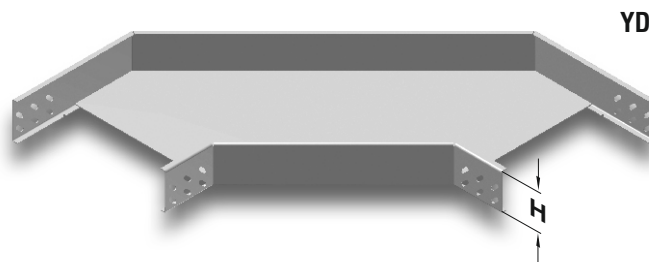
■ Material weights may vary by ± 10%

■ Please contact us for special size.

▶▶ CTA HORIZONTAL ELBOW MODULE (90°) R=450

Hot Dip Galvanized After Fabrication (TS EN ISO 1461)

Description	H (mm)	AB (mm)	T (mm)	Weight (kg./pc.)	Order Code
040 CTA 050 YD	40	50	2	1,668	3002542
040 CTA 100 YD	40	100	2	2,186	3002543
040 CTA 150 YD	40	150	2	2,776	3002544
040 CTA 200 YD	40	200	2	3,438	3002545
040 CTA 250 YD	40	250	2	4,171	3002546
040 CTA 300 YD	40	300	2	4,975	3002547
040 CTA 400 YD	40	400	2	6,799	3002548
040 CTA 500 YD	40	500	2	8,909	3002549
040 CTA 600 YD	40	600	2	11,306	3002550
050 CTA 050 YD	50	50	2	1,883	3002551
050 CTA 100 YD	50	100	2	2,416	3002552
050 CTA 150 YD	50	150	2	3,021	3002553
050 CTA 200 YD	50	200	2	3,696	3002554
050 CTA 250 YD	50	250	2	4,443	3002555
050 CTA 300 YD	50	300	2	5,262	3002556
050 CTA 400 YD	50	400	2	7,115	3002557
050 CTA 500 YD	50	500	2	9,253	3002558
050 CTA 600 YD	50	600	2	11,679	3002559
060 CTA 100 YD	60	100	2	2,646	3002560
060 CTA 150 YD	60	150	2	3,264	3002561
060 CTA 200 YD	60	200	2	3,955	3002562
060 CTA 250 YD	60	250	2	4,716	3002563
060 CTA 300 YD	60	300	2	5,550	3002564
060 CTA 400 YD	60	400	2	7,431	3002565
060 CTA 500 YD	60	500	2	9,598	3002566
060 CTA 600 YD	60	600	2	12,052	3002567
075 CTA 100 YD	75	100	2	2,958	3002568
075 CTA 150 YD	75	150	2	3,598	3002569
075 CTA 200 YD	75	200	2	4,310	3002570
075 CTA 250 YD	75	250	2	5,093	3002571
075 CTA 300 YD	75	300	2	5,948	3002572
075 CTA 400 YD	75	400	2	7,872	3002573
075 CTA 500 YD	75	500	2	10,082	3002574
075 CTA 600 YD	75	600	2	12,577	3002575
100 CTA 100 YD	100	100	2	3,510	3002576
100 CTA 150 YD	100	150	2	4,187	3002577
100 CTA 200 YD	100	200	2	4,934	3002578
100 CTA 250 YD	100	250	2	5,753	3002579
100 CTA 300 YD	100	300	2	6,643	3002580
100 CTA 400 YD	100	400	2	8,639	3002581
100 CTA 500 YD	100	500	2	10,921	3002582
100 CTA 600 YD	100	600	2	13,488	3002583



H=H=040, H=050, H=060 single row perforated.
 H=075 two rows perforated.
 H=100 three rows perforated.
 H=125 four rows perforated.
 H=150 five rows perforated.

Description	H (mm)	AB (mm)	T (mm)	Weight (kg./pc.)	Order Code
125 CTA 150 YD	125	150	2	4,761	3003438
125 CTA 200 YD	125	200	2	5,544	3003439
125 CTA 250 YD	125	250	2	6,399	3003440
125 CTA 300 YD	125	300	2	7,325	3003441
125 CTA 400 YD	125	400	2	9,393	3003442
125 CTA 500 YD	125	500	2	11,746	3003443
125 CTA 600 YD	125	600	2	14,385	3003444
150 CTA 200 YD	150	200	2	6,172	3003445
150 CTA 250 YD	150	250	2	7,062	3003446
150 CTA 300 YD	150	300	2	8,025	3003447
150 CTA 400 YD	150	400	2	10,163	3003448
150 CTA 500 YD	150	500	2	12,587	3003449
150 CTA 600 YD	150	600	2	15,299	3003450

■ Please indicate order code in your orders.

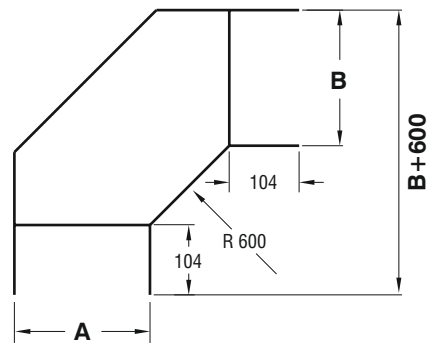
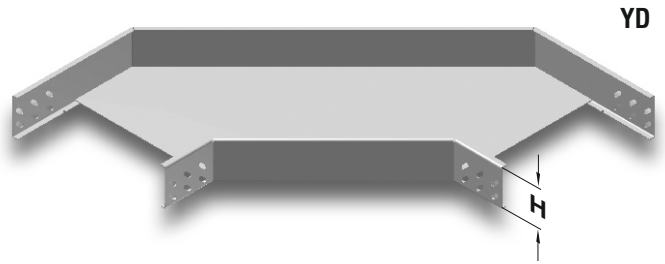
■ Material weights may vary by ± 10%

■ Please contact us for special size.

▶▶ CTA HORIZONTAL ELBOW MODULE (90°) R=600

Hot Dip Galvanized After Fabrication (TS EN ISO 1461)

Description	H (mm)	AB (mm)	T (mm)	Weight (kg./pc.)	Order Code
040 CTA 050 YD	40	50	2	2,039	3002584
040 CTA 100 YD	40	100	2	2,665	3002585
040 CTA 150 YD	40	150	2	3,363	3002586
040 CTA 200 YD	40	200	2	4,132	3002587
040 CTA 250 YD	40	250	2	4,972	3002588
040 CTA 300 YD	40	300	2	5,884	3002589
040 CTA 400 YD	40	400	2	7,922	3002590
040 CTA 500 YD	40	500	2	10,157	3002591
040 CTA 600 YD	40	600	2	12,858	3002592
050 CTA 050 YD	50	50	2	2,301	3002593
050 CTA 100 YD	50	100	2	2,941	3002594
050 CTA 150 YD	50	150	2	3,653	3002595
050 CTA 200 YD	50	200	2	4,436	3002596
050 CTA 250 YD	50	250	2	5,291	3002597
050 CTA 300 YD	50	300	2	6,217	3002598
050 CTA 400 YD	50	400	2	8,284	3002599
050 CTA 500 YD	50	500	2	10,534	3002600
050 CTA 600 YD	50	600	2	13,277	3002601
060 CTA 100 YD	60	100	2	3,214	3002602
060 CTA 150 YD	60	150	2	3,940	3002603
060 CTA 200 YD	60	200	2	4,738	3002604
060 CTA 250 YD	60	250	2	5,607	3002605
060 CTA 300 YD	60	300	2	6,547	3002606
060 CTA 400 YD	60	400	2	8,643	3002607
060 CTA 500 YD	60	500	2	10,907	3002608
060 CTA 600 YD	60	600	2	13,693	3002609
075 CTA 100 YD	75	100	2	3,590	3002610
075 CTA 150 YD	75	150	2	4,337	3002611
075 CTA 200 YD	75	200	2	5,157	3002612
075 CTA 250 YD	75	250	2	6,047	3002613
075 CTA 300 YD	75	300	2	7,013	3002614
075 CTA 400 YD	75	400	2	9,143	3002615
075 CTA 500 YD	75	500	2	11,433	3002616
075 CTA 600 YD	75	600	2	14,284	3002617
100 CTA 100 YD	100	100	2	4,250	3002618
100 CTA 150 YD	100	150	2	5,034	3002619
100 CTA 200 YD	100	200	2	5,888	3002620
100 CTA 250 YD	100	250	2	6,815	3002621
100 CTA 300 YD	100	300	2	7,812	3002622
100 CTA 400 YD	100	400	2	10,023	3002623
100 CTA 500 YD	100	500	2	12,344	3002624
100 CTA 600 YD	100	600	2	15,302	3002625



H=H=040, H=050, H=060 single row perforated.
 H=075 two rows perforated.
 H=100 three rows perforated.
 H=125 four rows perforated.
 H=150 five rows perforated.

Description	H (mm)	AB (mm)	T (mm)	Weight (kg./pc.)	Order Code
125 CTA 150 YD	125	150	2	5,724	3003451
125 CTA 200 YD	125	200	2	6,724	3003452
125 CTA 250 YD	125	250	2	7,577	3003453
125 CTA 300 YD	125	300	2	8,611	3003454
125 CTA 400 YD	125	400	2	10,892	3003455
125 CTA 500 YD	125	500	2	13,250	3003456
125 CTA 600 YD	125	600	2	16,314	3003457
150 CTA 200 YD	150	200	2	7,332	3003458
150 CTA 250 YD	150	250	2	8,329	3003459
150 CTA 300 YD	150	300	2	9,398	3003460
150 CTA 400 YD	150	400	2	11,751	3003461
150 CTA 500 YD	150	500	2	14,145	3003462
150 CTA 600 YD	150	600	2	17,316	3003463

■ Please indicate order code in your orders.

■ Material weights may vary by ± 10%

■ Please contact us for special size.

►► **CTA HORIZONTAL RISER MODULE COVER (90°)R=117**
Hot Dip Galvanized After Fabrication (TS EN ISO 1461)

Description	AB (mm)	T (mm)	Weight (kg./pc.)	Order Code
CTA 050 YD COVER 90°	55	2	0,638	3005456
CTA 100 YD COVER 90°	105	2	1,172	3005682
CTA 150 YD COVER 90°	155	2	1,784	3005680
CTA 200 YD COVER 90°	205	2	2,487	3005678
CTA 250 YD COVER 90°	255	2	3,277	3005676
CTA 300 YD COVER 90°	305	2	4,154	3005674
CTA 400 YD COVER 90°	405	2	6,167	3005672
CTA 500 YD COVER 90°	505	2	8,527	3005670
CTA 600 YD COVER 90°	605	2	11,235	3005668

►► **CTA HORIZONTAL RISER MODULE COVER (90°)R=450**
Hot Dip Galvanized After Fabrication (TS EN ISO 1461)

Description	A (mm)	T (mm)	Weight (kg./pc.)	Order Code
CTA 050 YD 90° COVER	55	2	0,521	3005040
CTA 100 YD 90° COVER	105	2	0,970	3005041
CTA 150 YD 90° COVER	155	2	1,491	3005042
CTA 200 YD 90° COVER	205	2	2,083	3005043
CTA 250 YD 90° COVER	255	2	2,746	3005044
CTA 300 YD 90° COVER	305	2	3,481	3005045
CTA 400 YD 90° COVER	405	2	5,165	3005046
CTA 500 YD 90° COVER	505	2	7,136	3005047
CTA 600 YD 90° COVER	605	2	9,392	3005048

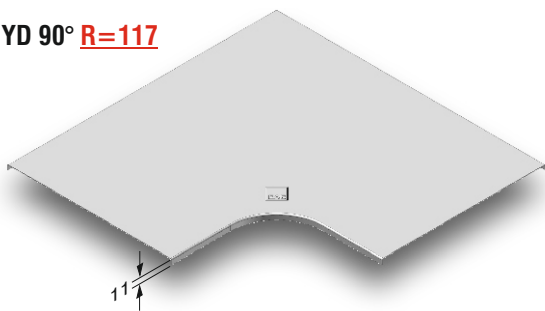
►► **CTA HORIZONTAL RISER MODULE COVER (90°)R=300**
Hot Dip Galvanized After Fabrication (TS EN ISO 1461)

Description	A (mm)	T (mm)	Weight (kg./pc.)	Order Code
CTA 050 YD 90° COVER	55	2	0,366	3005031
CTA 100 YD 90° COVER	105	2	0,708	3005032
CTA 150 YD 90° COVER	155	2	1,120	3005033
CTA 200 YD 90° COVER	205	2	1,606	3005034
CTA 250 YD 90° COVER	255	2	2,161	3005035
CTA 300 YD 90° COVER	305	2	2,789	3005036
CTA 400 YD 90° COVER	405	2	4,259	3005037
CTA 500 YD 90° COVER	505	2	6,015	3005038
CTA 600 YD 90° COVER	605	2	8,057	3005039

►► **CTA HORIZONTAL RISER MODULE COVER (90°)R=600**
Hot Dip Galvanized After Fabrication (TS EN ISO 1461)

Description	A (mm)	T (mm)	Weight (kg./pc.)	Order Code
CTA 050 YD 90° COVER	55	2	0,677	3005049
CTA 100 YD 90° COVER	105	2	1,233	3005050
CTA 150 YD 90° COVER	155	2	1,861	3005051
CTA 200 YD 90° COVER	205	2	2,560	3005052
CTA 250 YD 90° COVER	255	2	3,330	3005053
CTA 300 YD 90° COVER	305	2	4,173	3005054
CTA 400 YD 90° COVER	405	2	6,072	3005055
CTA 500 YD 90° COVER	505	2	8,257	3005056
CTA 600 YD 90° COVER	605	2	10,729	3005057

YD 90° **R=117**



YD 90° **R=300 / R=450 / R=600**



■ Please indicate order code in your orders.

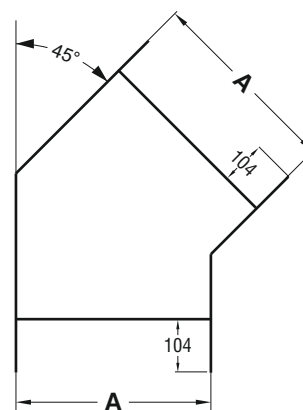
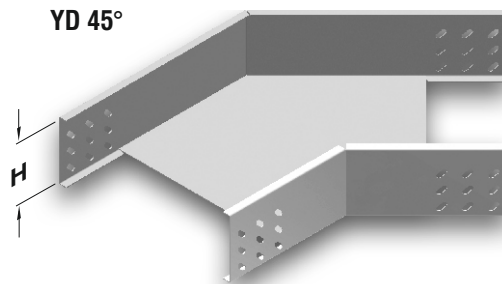
■ Material weights may vary by ± 10%

■ Please contact us for special size.

▶▶ CTA HORIZONTAL ELBOW MODULE (45°)

Hot Dip Galvanized After Fabrication (TS EN ISO 1461)

Description	H (mm)	A (mm)	T (mm)	Weight (kg./pc.)	Order Code
040 CTA 050 YD 45°	40	50	2	0,994	3001808
040 CTA 100 YD 45°	40	100	2	1,288	3001809
040 CTA 150 YD 45°	40	150	2	1,590	3001810
040 CTA 200 YD 45°	40	200	2	1,946	3001811
040 CTA 250 YD 45°	40	250	2	2,334	3001812
040 CTA 300 YD 45°	40	300	2	2,764	3001813
040 CTA 400 YD 45°	40	400	2	3,721	3001814
040 CTA 500 YD 45°	40	500	2	4,821	3001815
040 CTA 600 YD 45°	40	600	2	6,066	3001816
050 CTA 050 YD 45°	50	50	2	1,140	3001817
050 CTA 100 YD 45°	50	100	2	1,441	3001818
050 CTA 150 YD 45°	50	150	2	1,750	3001819
050 CTA 200 YD 45°	50	200	2	2,113	3001820
050 CTA 250 YD 45°	50	250	2	2,508	3001821
050 CTA 300 YD 45°	50	300	2	2,946	3001822
050 CTA 400 YD 45°	50	400	2	3,918	3001823
050 CTA 500 YD 45°	50	500	2	5,031	3001824
050 CTA 600 YD 45°	50	600	2	6,291	3001825
060 CTA 100 YD 45°	60	100	2	1,594	3001826
060 CTA 150 YD 45°	60	150	2	1,910	3001827
060 CTA 200 YD 45°	60	200	2	2,281	3001828
060 CTA 250 YD 45°	60	250	2	2,683	3001829
060 CTA 300 YD 45°	60	300	2	3,128	3001830
060 CTA 400 YD 45°	60	400	2	4,114	3001831
060 CTA 500 YD 45°	60	500	2	5,242	3001832
060 CTA 600 YD 45°	60	600	2	6,515	3001833
075 CTA 100 YD 45°	75	100	2	1,823	3001834
075 CTA 150 YD 45°	75	150	2	2,149	3001835
075 CTA 200 YD 45°	75	200	2	2,532	3001836
075 CTA 250 YD 45°	75	250	2	2,944	3001837
075 CTA 300 YD 45°	75	300	2	3,402	3001838
075 CTA 400 YD 45°	75	400	2	4,409	3001839
075 CTA 500 YD 45°	75	500	2	5,557	3001840
075 CTA 600 YD 45°	75	600	2	6,852	3001841
100 CTA 100 YD 45°	100	100	2	2,205	3001842
100 CTA 150 YD 45°	100	150	2	2,548	3001843
100 CTA 200 YD 45°	100	200	2	2,950	3001844
100 CTA 250 YD 45°	100	250	2	3,380	3001845
100 CTA 300 YD 45°	100	300	2	3,857	3001846
100 CTA 400 YD 45°	100	400	2	4,900	3001847
100 CTA 500 YD 45°	100	500	2	6,083	3001848
100 CTA 600 YD 45°	100	600	2	7,414	3001849



H=040, H=050, H=060 single row perforated.
 H=075 two rows perforated.
 H=100 three rows perforated.
 H=125 four rows perforated.
 H=150 five rows perforated.

Description	H (mm)	A (mm)	T (mm)	Weight (kg./pc.)	Order Code
125 CTA 150 YD 45°	125	150	2	2,831	3003360
125 CTA 200 YD 45°	125	200	2	3,277	3003361
125 CTA 250 YD 45°	125	250	2	3,761	3003362
125 CTA 300 YD 45°	125	300	2	4,296	3003363
125 CTA 400 YD 45°	125	400	2	5,464	3003364
125 CTA 500 YD 45°	125	500	2	6,790	3003365
125 CTA 600 YD 45°	125	600	2	8,265	3003366
150 CTA 200 YD 45°	150	200	2	3,625	3003367
150 CTA 250 YD 45°	150	250	2	4,166	3003368
150 CTA 300 YD 45°	150	300	2	4,762	3003369
150 CTA 400 YD 45°	150	400	2	6,062	3003370
150 CTA 500 YD 45°	150	500	2	7,534	3003371
150 CTA 600 YD 45°	150	600	2	9,169	3003372

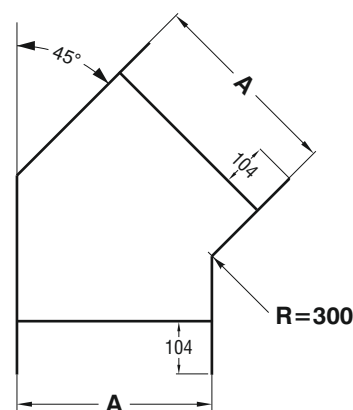
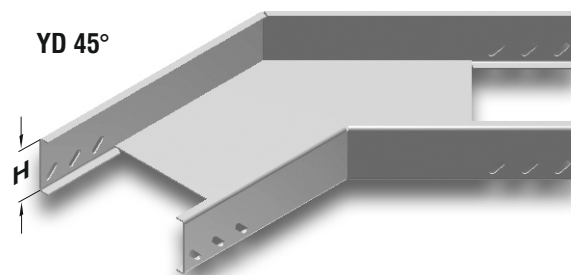
■ Please indicate order code in your orders.

■ Material weights may vary by ± 10%

■ Please contact us for special size.

▶▶ CTA HORIZONTAL ELBOW MODULE (45°) R=300 Hot Dip Galvanized After Fabrication (TS EN ISO 1461)

Description	H (mm)	A (mm)	T (mm)	Weight (kg./pc.)	Order Code
040 CTA 050 YD 45°	40	50	2	1,229	3006965
040 CTA 100 YD 45°	40	100	2	1,542	3006966
040 CTA 150 YD 45°	40	150	2	1,891	3006967
040 CTA 200 YD 45°	40	200	2	2,275	3006968
040 CTA 250 YD 45°	40	250	2	2,695	3006969
040 CTA 300 YD 45°	40	300	2	3,152	3006970
040 CTA 400 YD 45°	40	400	2	4,170	3006971
040 CTA 500 YD 45°	40	500	2	5,449	3006972
040 CTA 600 YD 45°	40	600	2	6,639	3006973
<hr/>					
050 CTA 050 YD 45°	50	50	2	1,394	3006974
050 CTA 100 YD 45°	50	100	2	1,714	3006975
050 CTA 150 YD 45°	50	150	2	2,070	3006976
050 CTA 200 YD 45°	50	200	2	2,462	3006977
050 CTA 250 YD 45°	50	250	2	2,889	3006978
050 CTA 300 YD 45°	50	300	2	3,352	3006979
050 CTA 400 YD 45°	50	400	2	4,386	3006980
050 CTA 500 YD 45°	50	500	2	5,578	3006981
050 CTA 600 YD 45°	50	600	2	6,882	3006982
<hr/>					
060 CTA 100 YD 45°	60	100	2	1,957	3006983
060 CTA 150 YD 45°	60	150	2	2,094	3006984
060 CTA 200 YD 45°	60	200	2	2,494	3006985
060 CTA 250 YD 45°	60	250	2	2,928	3006986
060 CTA 300 YD 45°	60	300	2	3,398	3006987
060 CTA 400 YD 45°	60	400	2	4,446	3006988
060 CTA 500 YD 45°	60	500	2	5,654	3006989
060 CTA 600 YD 45°	60	600	2	6,971	3006990
<hr/>					
075 CTA 100 YD 45°	75	100	2	2,126	3006991
075 CTA 150 YD 45°	75	150	2	2,500	3006992
075 CTA 200 YD 45°	75	200	2	2,910	3006993
075 CTA 250 YD 45°	75	250	2	3,355	3006994
075 CTA 300 YD 45°	75	300	2	3,836	3006995
075 CTA 400 YD 45°	75	400	2	4,906	3006996
075 CTA 500 YD 45°	75	500	2	6,45	3006997
075 CTA 600 YD 45°	75	600	2	7,473	3006998
<hr/>					
100 CTA 100 YD 45°	100	100	2	2,545	3006999
100 CTA 150 YD 45°	100	150	2	2,937	3007000
100 CTA 200 YD 45°	100	200	2	3,828	3007001
100 CTA 250 YD 45°	100	250	2	4,326	3007002
100 CTA 300 YD 45°	100	300	2	4,552	3007003
100 CTA 400 YD 45°	100	400	2	5,432	3007004
100 CTA 500 YD 45°	100	500	2	6,697	3007005
100 CTA 600 YD 45°	100	600	2	8,071	3007006



H=040, H=050, H=060 single row perforated.
 H=075 two rows perforated.
 H=100 three rows perforated.
 H=125 four rows perforated.
 H=150 five rows perforated.

Description	H (mm)	A (mm)	T (mm)	Weight (kg./pc.)	Order Code
125 CTA 150 YD 45°	125	150	2	3,357	3003373
125 CTA 200 YD 45°	125	200	2	3,802	3003374
125 CTA 250 YD 45°	125	250	2	4,283	3003375
125 CTA 300 YD 45°	125	300	2	4,799	3003376
125 CTA 400 YD 45°	125	400	2	5,941	3003377
125 CTA 500 YD 45°	125	500	2	7,225	3003378
125 CTA 600 YD 45°	125	600	2	8,652	3003379
<hr/>					
150 CTA 200 YD 45°	150	200	2	4,268	3003380
150 CTA 250 YD 45°	150	250	2	4,767	3003381
150 CTA 300 YD 45°	150	300	2	5,303	3003382
150 CTA 400 YD 45°	150	400	2	6,479	3003383
150 CTA 500 YD 45°	150	500	2	7,798	3003384
150 CTA 600 YD 45°	150	600	2	9,261	3003385

■ Please indicate order code in your orders.

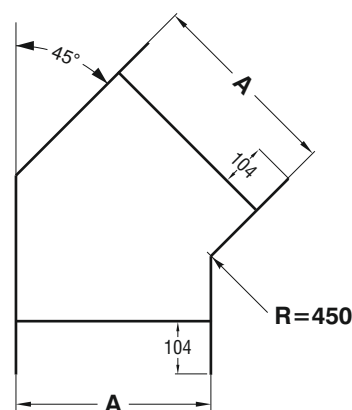
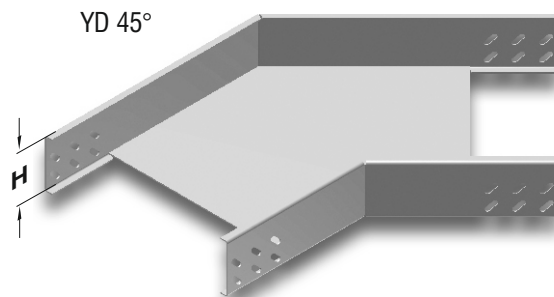
■ Material weights may vary by ± 10%

■ Please contact us for special size.

▶▶ CTA HORIZONTAL ELBOW MODULE (45°) R=450

Hot Dip Galvanized After Fabrication (TS EN ISO 1461)

Description	H (mm)	A (mm)	T (mm)	Weight (kg./pc.)	Order Code
040 CTA 050 YD 45°	40	50	2	1,400	3007007
040 CTA 100 YD 45°	40	100	2	1,685	3007008
040 CTA 150 YD 45°	40	150	2	2,481	3007009
040 CTA 200 YD 45°	40	200	2	2,972	3007010
040 CTA 250 YD 45°	40	250	2	3,499	3007011
040 CTA 300 YD 45°	40	300	2	4,063	3007012
040 CTA 400 YD 45°	40	400	2	5,297	3007013
040 CTA 500 YD 45°	40	500	2	6,674	3007014
040 CTA 600 YD 45°	40	600	2	8,194	3007015
050 CTA 050 YD 45°	50	50	2	1,470	3007016
050 CTA 100 YD 45°	50	100	2	1,895	3007017
050 CTA 150 YD 45°	50	150	2	2,538	3007018
050 CTA 200 YD 45°	50	200	2	3,036	3007019
050 CTA 250 YD 45°	50	250	2	3,571	3007020
050 CTA 300 YD 45°	50	300	2	4,142	3007021
050 CTA 400 YD 45°	50	400	2	5,389	3007022
050 CTA 500 YD 45°	50	500	2	6,780	3007023
050 CTA 600 YD 45°	50	600	2	8,315	3007024
060 CTA 100 YD 45°	60	100	2	1,862	3007025
060 CTA 150 YD 45°	60	150	2	2,729	3007026
060 CTA 200 YD 45°	60	200	2	3,235	3007027
060 CTA 250 YD 45°	60	250	2	3,776	3007028
060 CTA 300 YD 45°	60	300	2	4,355	3007029
060 CTA 400 YD 45°	60	400	2	5,617	3007030
060 CTA 500 YD 45°	60	500	2	7,022	3007031
060 CTA 600 YD 45°	60	600	2	8,571	3007032
075 CTA 100 YD 45°	75	100	2	2,355	3007033
075 CTA 150 YD 45°	75	150	2	3,014	3007034
075 CTA 200 YD 45°	75	200	2	3,531	3007035
075 CTA 250 YD 45°	75	250	2	4,084	3007036
075 CTA 300 YD 45°	75	300	2	4,672	3007037
075 CTA 400 YD 45°	75	400	2	5,957	3007038
075 CTA 500 YD 45°	75	500	2	7,383	3007039
075 CTA 600 YD 45°	75	600	2	8,953	3007040
100 CTA 100 YD 45°	100	100	2	3,106	3007041
100 CTA 150 YD 45°	100	150	2	3,785	3007042
100 CTA 200 YD 45°	100	200	2	4,320	3007043
100 CTA 250 YD 45°	100	250	2	4,498	3007044
100 CTA 300 YD 45°	100	300	2	5,496	3007045
100 CTA 400 YD 45°	100	400	2	6,816	3007046
100 CTA 500 YD 45°	100	500	2	8,279	3007047
100 CTA 600 YD 45°	100	600	2	9,885	3007048
125 CTA 150 YD 45°	125	150	2	4,311	3003386
125 CTA 200 YD 45°	125	200	2	4,864	3003387
125 CTA 250 YD 45°	125	250	2	5,453	3003388
125 CTA 300 YD 45°	125	300	2	6,076	3003389
125 CTA 400 YD 45°	125	400	2	7,432	3003390
125 CTA 500 YD 45°	125	500	2	8,931	3003391
125 CTA 600 YD 45°	125	600	2	10,572	3003392
150 CTA 200 YD 45°	150	200	2	5,437	3003393
150 CTA 250 YD 45°	150	250	2	6,043	3003394
150 CTA 300 YD 45°	150	300	2	6,686	3003395
150 CTA 400 YD 45°	150	400	2	8,077	3003396
150 CTA 500 YD 45°	150	500	2	9,612	3003397
150 CTA 600 YD 45°	150	600	2	11,288	3003398



H=040, H=050, H=060 single row perforated.
 H=075 two rows perforated.
 H=100 three rows perforated.
 H=125 four rows perforated.
 H=150 five rows perforated.

Description	H (mm)	A (mm)	T (mm)	Weight (kg./pc.)	Order Code
125 CTA 150 YD 45°	125	150	2	4,311	3003386
125 CTA 200 YD 45°	125	200	2	4,864	3003387
125 CTA 250 YD 45°	125	250	2	5,453	3003388
125 CTA 300 YD 45°	125	300	2	6,076	3003389
125 CTA 400 YD 45°	125	400	2	7,432	3003390
125 CTA 500 YD 45°	125	500	2	8,931	3003391
125 CTA 600 YD 45°	125	600	2	10,572	3003392
150 CTA 200 YD 45°	150	200	2	5,437	3003393
150 CTA 250 YD 45°	150	250	2	6,043	3003394
150 CTA 300 YD 45°	150	300	2	6,686	3003395
150 CTA 400 YD 45°	150	400	2	8,077	3003396
150 CTA 500 YD 45°	150	500	2	9,612	3003397
150 CTA 600 YD 45°	150	600	2	11,288	3003398

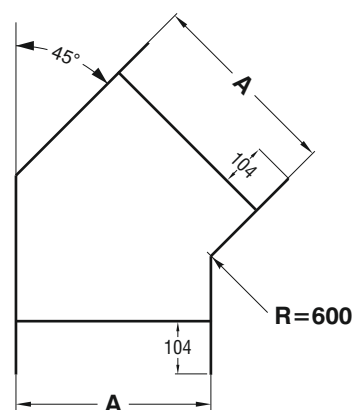
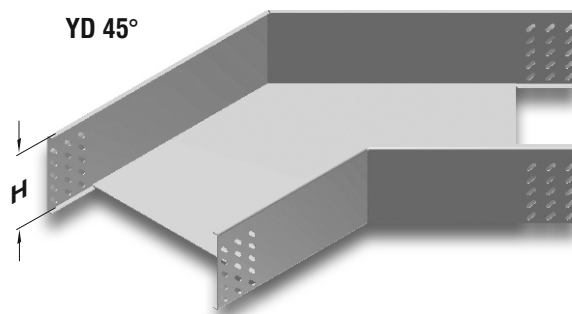
■ Please indicate order code in your orders.

■ Material weights may vary by ± 10%

■ Please contact us for special size.

▶▶ CTA HORIZONTAL ELBOW MODULE (45°) R=600 Hot Dip Galvanized After Fabrication (TS EN ISO 1461)

Description	H (mm)	A (mm)	T (mm)	Weight (kg./pc.)	Order Code
040 CTA 050 YD 45°	40	50	2	1,979	3007049
040 CTA 100 YD 45°	40	100	2	2,428	3007050
040 CTA 150 YD 45°	40	150	2	3,071	3007051
040 CTA 200 YD 45°	40	200	2	3,669	3007052
040 CTA 250 YD 45°	40	250	2	4,303	3007053
040 CTA 300 YD 45°	40	300	2	4,974	3007054
040 CTA 400 YD 45°	40	400	2	6,424	3007055
040 CTA 500 YD 45°	40	500	2	7,899	3007056
040 CTA 600 YD 45°	40	600	2	9,749	3007057
<hr/>					
050 CTA 050 YD 45°	50	50	2	2,229	3007058
050 CTA 100 YD 45°	50	100	2	2,764	3007059
050 CTA 150 YD 45°	50	150	2	3,335	3007060
050 CTA 200 YD 45°	50	200	2	3,941	3007061
050 CTA 250 YD 45°	50	250	2	4,583	3007062
050 CTA 300 YD 45°	50	300	2	5,261	3007063
050 CTA 400 YD 45°	50	400	2	6,724	3007064
050 CTA 500 YD 45°	50	500	2	8,330	3007065
050 CTA 600 YD 45°	50	600	2	10,078	3007066
<hr/>					
060 CTA 100 YD 45°	60	100	2	3,022	3007067
060 CTA 150 YD 45°	60	150	2	3,600	3007068
060 CTA 200 YD 45°	60	200	2	4,214	3007069
060 CTA 250 YD 45°	60	250	2	4,863	3007070
060 CTA 300 YD 45°	60	300	2	5,547	3007071
060 CTA 400 YD 45°	60	400	2	7,024	3007072
060 CTA 500 YD 45°	60	500	2	8,644	3007073
060 CTA 600 YD 45°	60	600	2	10,408	3007074
<hr/>					
075 CTA 100 YD 45°	75	100	2	3,385	3007075
075 CTA 150 YD 45°	75	150	2	3,974	3007076
075 CTA 200 YD 45°	75	200	2	4,598	3007077
075 CTA 250 YD 45°	75	250	2	5,258	3007078
075 CTA 300 YD 45°	75	300	2	5,954	3007079
075 CTA 400 YD 45°	75	400	2	7,452	3007080
075 CTA 500 YD 45°	75	500	2	9,093	3007081
075 CTA 600 YD 45°	75	600	2	10,879	3007082
<hr/>					
100 CTA 100 YD 45°	100	100	2	4,004	3007083
100 CTA 150 YD 45°	100	150	2	4,610	3007084
100 CTA 200 YD 45°	100	200	2	5,252	3007085
100 CTA 250 YD 45°	100	250	2	5,930	3007086
100 CTA 300 YD 45°	100	300	2	6,644	3007087
100 CTA 400 YD 45°	100	400	2	8,178	3007088
100 CTA 500 YD 45°	100	500	2	9,854	3007089
100 CTA 600 YD 45°	100	600	2	11,675	3007090



H=040, H=050, H=060 single row perforated.
H=075 two rows perforated.
H=100 three rows perforated.
H=125 four rows perforated.
H=150 five rows perforated.

Description	H (mm)	A (mm)	T (mm)	Weight (kg./pc.)	Order Code
125 CTA 150 YD 45°	125	150	2	5,266	3003399
125 CTA 200 YD 45°	125	200	2	5,926	3003400
125 CTA 250 YD 45°	125	250	2	6,622	3003401
125 CTA 300 YD 45°	125	300	2	7,352	3003402
125 CTA 400 YD 45°	125	400	2	8,923	3003403
125 CTA 500 YD 45°	125	500	2	10,636	3003404
125 CTA 600 YD 45°	125	600	2	12,493	3003405
<hr/>					
150 CTA 200 YD 45°	150	200	2	6,607	3003406
150 CTA 250 YD 45°	150	250	2	7,321	3003407
150 CTA 300 YD 45°	150	300	2	8,070	3003408
150 CTA 400 YD 45°	150	400	2	9,676	3003409
150 CTA 500 YD 45°	150	500	2	11,425	3003410
150 CTA 600 YD 45°	150	600	2	13,317	3003411

■ Please indicate order code in your orders.

■ Material weights may vary by ± 10%

■ Please contact us for special size.

▶▶ **CTA HORIZONTAL ELBOW MODULE COVER (45°) R=117**
Hot Dip Galvanized After Fabrication (TS EN ISO 1461)

Description	A (mm)	T (mm)	Weight (kg./pc)	Order Code
CTA 050 YD COVER 45°	55	2	0,550	3001935
CTA 100 YD COVER 45°	105	2	0,908	3001936
CTA 150 YD COVER 45°	155	2	1,417	3001937
CTA 200 YD COVER 45°	205	2	1,662	3001938
CTA 250 YD COVER 45°	255	2	2,415	3001939
CTA 300 YD COVER 45°	305	2	2,627	3001940
CTA 400 YD COVER 45°	405	2	3,723	3001941
CTA 500 YD COVER 45°	505	2	4,949	3001942
CTA 600 YD COVER 45°	605	2	6,305	3001943

▶▶ **CTA HORIZONTAL ELBOW MODULE COVER (45°) R=450**
Hot Dip Galvanized After Fabrication (TS EN ISO 1461)

Description	A (mm)	T (mm)	Weight (kg./pc)	Order Code
CTA 050 YD COVER 45°	55	2	0,494	3005013
CTA 100 YD COVER 45°	105	2	0,879	3005014
CTA 150 YD COVER 45°	155	2	1,300	3005015
CTA 200 YD COVER 45°	205	2	1,757	3005016
CTA 250 YD COVER 45°	255	2	2,250	3005017
CTA 300 YD COVER 45°	305	2	2,778	3005018
CTA 400 YD COVER 45°	405	2	3,942	3005019
CTA 500 YD COVER 45°	505	2	5,249	3005020
CTA 600 YD COVER 45°	605	2	6,700	3005021

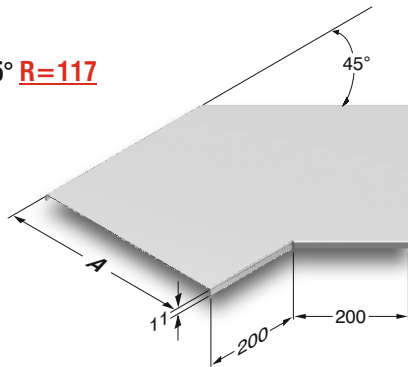
▶▶ **CTA HORIZONTAL ELBOW MODULE COVER (45°) R=300**
Hot Dip Galvanized After Fabrication (TS EN ISO 1461)

Description	A (mm)	T (mm)	Weight (kg./pc)	Order Code
CTA 050 YD COVER 45°	55	2	0,338	3005004
CTA 100 YD COVER 45°	105	2	0,623	3005005
CTA 150 YD COVER 45°	155	2	0,930	3005006
CTA 200 YD COVER 45°	205	2	1,279	3005007
CTA 250 YD COVER 45°	255	2	1,665	3005008
CTA 300 YD COVER 45°	305	2	2,086	3005009
CTA 400 YD COVER 45°	405	2	3,036	3005010
CTA 500 YD COVER 45°	505	2	4,128	3005011
CTA 600 YD COVER 45°	605	2	5,364	3005012

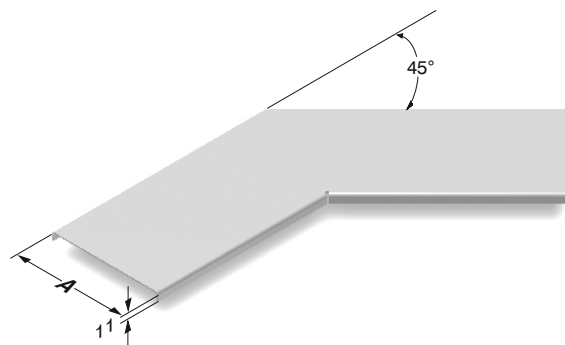
▶▶ **CTA HORIZONTAL ELBOW MODULE COVER (45°) R=600**
Hot Dip Galvanized After Fabrication (TS EN ISO 1461)

Description	A (mm)	T (mm)	Weight (kg./pc)	Order Code
CTA 050 YD COVER 45°	55	2	0,649	3005022
CTA 100 YD COVER 45°	105	2	1,142	3005023
CTA 150 YD COVER 45°	155	2	1,670	3005024
CTA 200 YD COVER 45°	205	2	2,234	3005025
CTA 250 YD COVER 45°	255	2	2,835	3005026
CTA 300 YD COVER 45°	305	2	3,469	3005027
CTA 400 YD COVER 45°	405	2	4,849	3005028
CTA 500 YD COVER 45°	505	2	6,370	3005029
CTA 600 YD COVER 45°	605	2	8,035	3005030

YD 45° R=117



YD 45° R=300 / R=450 / R=600



■ Please indicate order code in your orders.

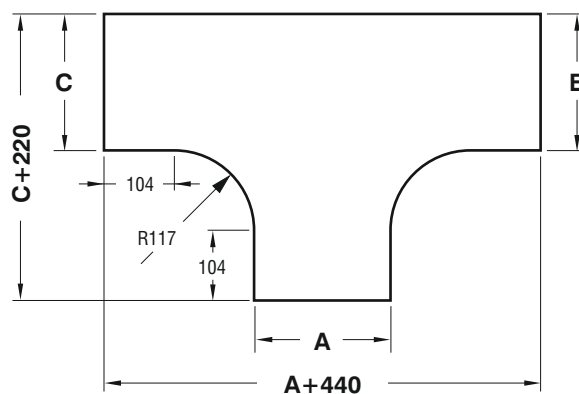
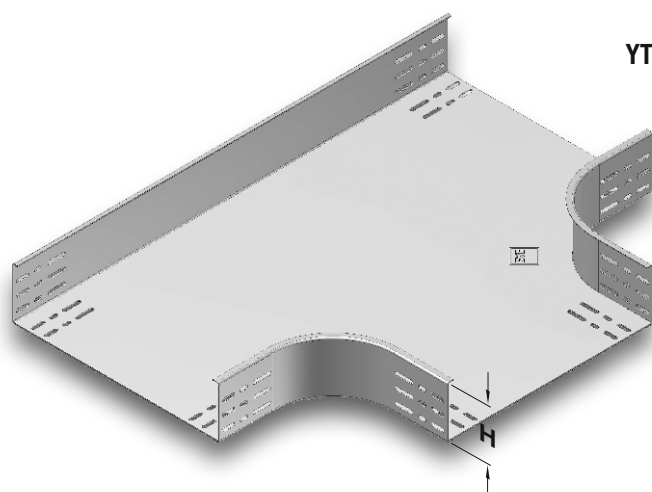
■ Material weights may vary by ± 10%

■ Please contact us for special size.

►► CTA "T" MODULE

Hot Dip Galvanized After Fabrication (TS EN ISO 1461)

Description	H (mm)	ABC (mm)	T (mm)	Weight (kg./pc)	Order Code
040 CTA 050 YT	40	50	2	1,771	3005744
040 CTA 100 YT	40	100	2	2,493	3006331
040 CTA 150 YT	40	150	2	3,268	3006329
040 CTA 200 YT	40	200	2	4,180	3006327
040 CTA 250 YT	40	250	2	5,178	3006321
040 CTA 300 YT	40	300	2	6,263	3006319
040 CTA 400 YT	40	400	2	8,692	3006317
040 CTA 500 YT	40	500	2	11,467	3006315
040 CTA 600 YT	40	600	2	14,587	3006313
050 CTA 050 YT	50	50	2	1,991	3001182
050 CTA 100 YT	50	100	2	2,713	3007760
050 CTA 150 YT	50	150	2	3,488	3007146
050 CTA 200 YT	50	200	2	4,400	3007758
050 CTA 250 YT	50	250	2	5,398	3007144
050 CTA 300 YT	50	300	2	6,483	3007756
050 CTA 400 YT	50	400	2	8,912	3007754
050 CTA 500 YT	50	500	2	11,687	3007752
050 CTA 600 YT	50	600	2	14,807	3007750
060 CTA 100 YT	60	100	2	2,933	3006311
060 CTA 150 YT	60	150	2	3,708	3006309
060 CTA 200 YT	60	200	2	4,620	3006307
060 CTA 250 YT	60	250	2	5,618	3006305
060 CTA 300 YT	60	300	2	6,703	3006303
060 CTA 400 YT	60	400	2	9,132	3006301
060 CTA 500 YT	60	500	2	11,907	3006299
060 CTA 600 YT	60	600	2	15,027	3006297
075 CTA 100 YT	75	100	2	3,343	3007142
075 CTA 150 YT	75	150	2	4,118	3007140
075 CTA 200 YT	75	200	2	5,030	3007748
075 CTA 250 YT	75	250	2	6,028	3007138
075 CTA 300 YT	75	300	2	7,113	3007746
075 CTA 400 YT	75	400	2	9,542	3007744
075 CTA 500 YT	75	500	2	12,317	3007742
075 CTA 600 YT	75	600	2	15,437	3007740
100 CTA 100 YT	100	100	2	3,755	3001183
100 CTA 150 YT	100	150	2	4,633	3007136
100 CTA 200 YT	100	200	2	5,596	3007738
100 CTA 250 YT	100	250	2	7,144	3007134
100 CTA 300 YT	100	300	2	8,324	3007736
100 CTA 400 YT	100	400	2	10,943	3007734
100 CTA 500 YT	100	500	2	13,908	3007732
100 CTA 600 YT	100	600	2	15,652	3007730



H=040, H=050, H=060 single row perforated.
 H=075 two rows perforated.
 H=100 three rows perforated.
 H=125 four rows perforated.
 H=150 five rows perforated.

Description	H (mm)	ABC (mm)	T (mm)	Weight (kg./pc)	Order Code
125 CTA 150 YT	125	150	2	4,272	3003464
125 CTA 200 YT	125	200	2	6,106	3003465
125 CTA 250 YT	125	250	2	7,179	3003466
125 CTA 300 YT	125	300	2	8,337	3003467
125 CTA 400 YT	125	400	2	10,912	3003468
125 CTA 500 YT	125	500	2	13,834	3003469
125 CTA 600 YT	125	600	2	17,100	3003470
150 CTA 200 YT	150	200	2	6,666	3003471
150 CTA 250 YT	150	250	2	7,761	3003472
150 CTA 300 YT	150	300	2	8,940	3003473
150 CTA 400 YT	150	400	2	11,559	3003474
150 CTA 500 YT	150	500	2	14,523	3003475
150 CTA 600 YT	150	600	2	17,833	3003476

■ Please indicate order code in your orders.

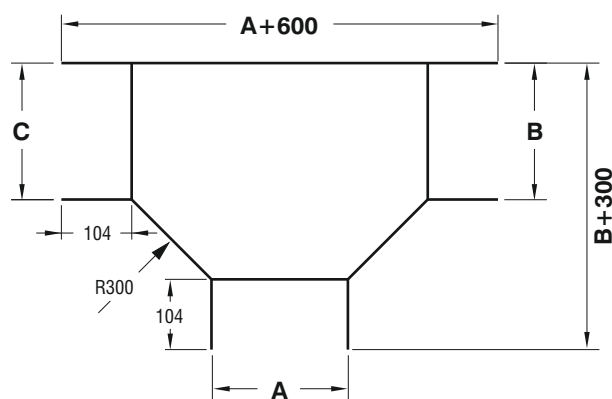
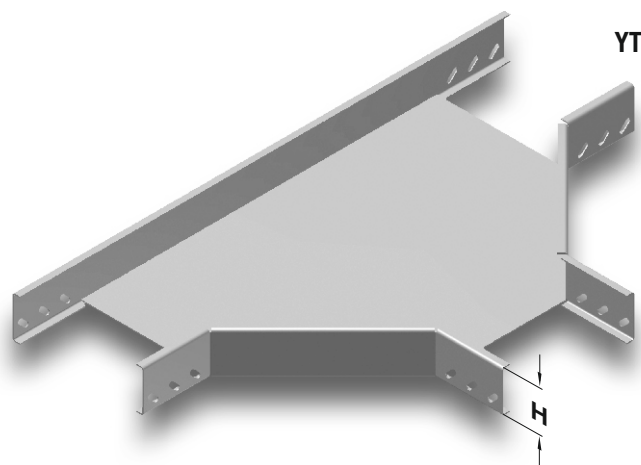
■ Material weights may vary by ± 10%

■ Please contact us for special size.

▶▶ CTA "T" MODULE $R=300$

Hot Dip Galvanized After Fabrication (TS EN ISO 1461)

Description	H (mm)	ABC (mm)	T (mm)	Weight (kg./pc)	Order Code
040 CTA 050 YT	40	50	2	2,366	3002626
040 CTA 100 YT	40	100	2	2,859	3002627
040 CTA 150 YT	40	150	2	3,988	3002628
040 CTA 200 YT	40	200	2	4,799	3002629
040 CTA 250 YT	40	250	2	5,697	3002630
040 CTA 300 YT	40	300	2	6,681	3002631
040 CTA 400 YT	40	400	2	8,908	3002632
040 CTA 500 YT	40	500	2	11,481	3002633
040 CTA 600 YT	40	600	2	14,399	3002634
050 CTA 050 YT	50	50	2	2,629	3002635
050 CTA 100 YT	50	100	2	3,130	3002636
050 CTA 150 YT	50	150	2	3,168	3002637
050 CTA 200 YT	50	200	2	5,088	3002638
050 CTA 250 YT	50	250	2	5,994	3002639
050 CTA 300 YT	50	300	2	6,986	3002640
050 CTA 400 YT	50	400	2	9,231	3002641
050 CTA 500 YT	50	500	2	11,821	3002642
050 CTA 600 YT	50	600	2	14,757	3002643
060 CTA 100 YT	60	100	2	3,400	3002644
060 CTA 150 YT	60	150	2	4,547	3002645
060 CTA 200 YT	60	200	2	5,376	3002646
060 CTA 250 YT	60	250	2	6,291	3002647
060 CTA 300 YT	60	300	2	7,292	3002648
060 CTA 400 YT	60	400	2	9,554	3002649
060 CTA 500 YT	60	500	2	12,161	3002650
060 CTA 600 YT	60	600	2	15,113	3002651
075 CTA 100 YT	75	100	2	3,766	3002652
075 CTA 150 YT	75	150	2	4,926	3002653
075 CTA 200 YT	75	200	2	5,767	3002654
075 CTA 250 YT	75	250	2	6,696	3002655
075 CTA 300 YT	75	300	2	7,710	3002656
075 CTA 400 YT	75	400	2	9,998	3002657
075 CTA 500 YT	75	500	2	12,630	3002658
075 CTA 600 YT	75	600	2	15,609	3002659
100 CTA 100 YT	100	100	2	4,500	3002660
100 CTA 150 YT	100	150	2	5,585	3002661
100 CTA 200 YT	100	200	2	6,600	3002662
100 CTA 250 YT	100	250	2	7,398	3002663
100 CTA 300 YT	100	300	2	8,434	3002664
100 CTA 400 YT	100	400	2	10,765	3002665
100 CTA 500 YT	100	500	2	13,440	3002666
100 CTA 600 YT	100	600	2	16,462	3002667
125 CTA 150 YT	125	150	2	6,582	3003477
125 CTA 200 YT	125	200	2	7,467	3003478
125 CTA 250 YT	125	250	2	8,438	3003479
125 CTA 300 YT	125	300	2	9,495	3003480
125 CTA 400 YT	125	400	2	11,870	3003481
125 CTA 500 YT	125	500	2	14,589	3003482
125 CTA 600 YT	125	600	2	17,654	3003483
150 CTA 200 YT	150	200	2	8,240	3003484
150 CTA 250 YT	150	250	2	9,232	3003485
150 CTA 300 YT	150	300	2	10,311	3003486
150 CTA 400 YT	150	400	2	12,729	3003487
150 CTA 500 YT	150	500	2	15,491	3003488
150 CTA 600 YT	150	600	2	18,600	3003489



H=040, H=050, H=060 single row perforated.
 H=075 two rows perforated.
 H=100 three rows perforated.
 H=125 four rows perforated.
 H=150 five rows perforated.

Description	H (mm)	ABC (mm)	T (mm)	Weight (kg./pc)	Order Code
125 CTA 150 YT	125	150	2	6,582	3003477
125 CTA 200 YT	125	200	2	7,467	3003478
125 CTA 250 YT	125	250	2	8,438	3003479
125 CTA 300 YT	125	300	2	9,495	3003480
125 CTA 400 YT	125	400	2	11,870	3003481
125 CTA 500 YT	125	500	2	14,589	3003482
125 CTA 600 YT	125	600	2	17,654	3003483
150 CTA 200 YT	150	200	2	8,240	3003484
150 CTA 250 YT	150	250	2	9,232	3003485
150 CTA 300 YT	150	300	2	10,311	3003486
150 CTA 400 YT	150	400	2	12,729	3003487
150 CTA 500 YT	150	500	2	15,491	3003488
150 CTA 600 YT	150	600	2	18,600	3003489

■ Please indicate order code in your orders.

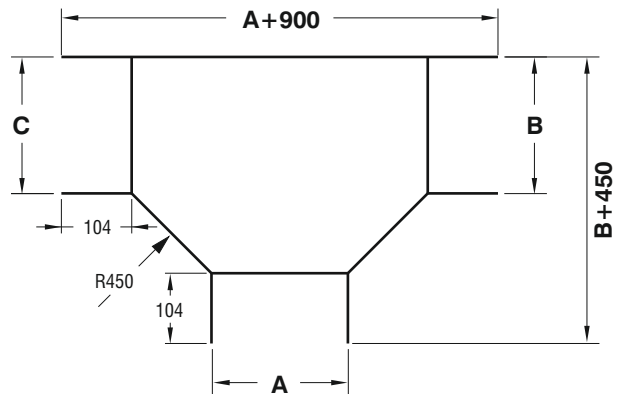
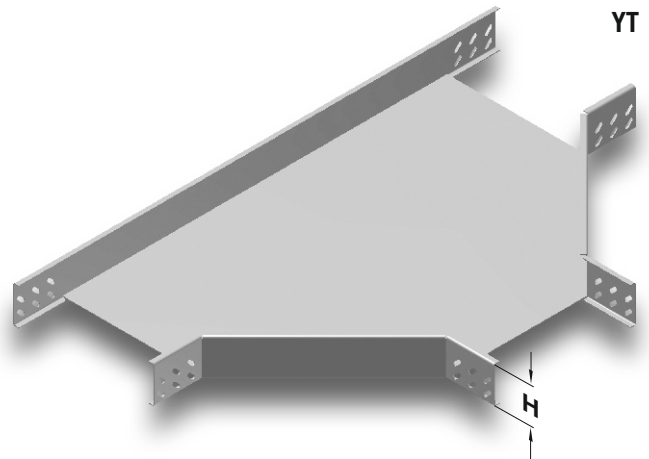
■ Material weights may vary by $\pm 10\%$

■ Please contact us for special size.

▶▶ CTA "T" MODULE **R=450**

Hot Dip Galvanized After Fabrication (TS EN ISO 1461)

Description	H (mm)	ABC (mm)	T (mm)	Weight (kg./pc)	Order Code
040 CTA 050 YT	40	50	2	3,664	3002668
040 CTA 100 YT	40	100	2	5,013	3002669
040 CTA 150 YT	40	150	2	5,965	3002670
040 CTA 200 YT	40	200	2	7,004	3002671
040 CTA 250 YT	40	250	2	8,129	3002672
040 CTA 300 YT	40	300	2	9,341	3002673
040 CTA 400 YT	40	400	2	12,024	3002674
040 CTA 500 YT	40	500	2	15,051	3002675
040 CTA 600 YT	40	600	2	17,185	3002676
<hr/>					
050 CTA 050 YT	50	50	2	4,015	3002677
050 CTA 100 YT	50	100	2	4,694	3002678
050 CTA 150 YT	50	150	2	6,339	3002679
050 CTA 200 YT	50	200	2	7,387	3002680
050 CTA 250 YT	50	250	2	8,521	3002681
050 CTA 300 YT	50	300	2	9,742	3002682
050 CTA 400 YT	50	400	2	12,474	3002683
050 CTA 500 YT	50	500	2	15,442	3002684
050 CTA 600 YT	50	600	2	17,708	3002685
<hr/>					
060 CTA 100 YT	60	100	2	5,646	3002686
060 CTA 150 YT	60	150	2	7,191	3002687
060 CTA 200 YT	60	200	2	8,248	3002688
060 CTA 250 YT	60	250	2	9,390	3002689
060 CTA 300 YT	60	300	2	10,619	3002690
060 CTA 400 YT	60	400	2	13,336	3002691
060 CTA 500 YT	60	500	2	16,399	3002692
060 CTA 600 YT	60	600	2	18,810	3002693
<hr/>					
075 CTA 100 YT	75	100	2	7,810	3002694
075 CTA 150 YT	75	150	2	9,160	3002695
075 CTA 200 YT	75	200	2	10,330	3002696
075 CTA 250 YT	75	250	2	11,586	3002697
075 CTA 300 YT	75	300	2	12,443	3002698
075 CTA 400 YT	75	400	2	15,997	3002699
075 CTA 500 YT	75	500	2	17,950	3002700
075 CTA 600 YT	75	600	2	20,633	3002701
<hr/>					
100 CTA 100 YT	100	100	2	9,033	3002702
100 CTA 150 YT	100	150	2	10,753	3002703
100 CTA 200 YT	100	200	2	12,101	3002704
100 CTA 250 YT	100	250	2	13,720	3002705
100 CTA 300 YT	100	300	2	14,863	3002706
100 CTA 400 YT	100	400	2	18,464	3002707
100 CTA 500 YT	100	500	2	19,184	3002708
100 CTA 600 YT	100	600	2	21,687	3002709



H=040, H=050, H=060 single row perforated.
 H=075 two rows perforated.
 H=100 three rows perforated.
 H=125 four rows perforated.
 H=150 five rows perforated.

Description	H (mm)	ABC (mm)	T (mm)	Weight (kg./pc)	Order Code
125 CTA 150 YT	125	150	2	9,962	3003490
125 CTA 200 YT	125	200	2	11,074	3003491
125 CTA 250 YT	125	250	2	12,273	3003492
125 CTA 300 YT	125	300	2	13,558	3003493
125 CTA 400 YT	125	400	2	16,387	3003494
125 CTA 500 YT	125	500	2	19,561	3003495
125 CTA 600 YT	125	600	2	23,081	3003496
<hr/>					
150 CTA 200 YT	150	200	2	12,190	3003497
150 CTA 250 YT	150	250	2	13,411	3003498
150 CTA 300 YT	150	300	2	14,718	3003499
150 CTA 400 YT	150	400	2	17,590	3003500
150 CTA 500 YT	150	500	2	20,808	3003501
150 CTA 600 YT	150	600	2	24,372	3003502

■ Please indicate order code in your orders.

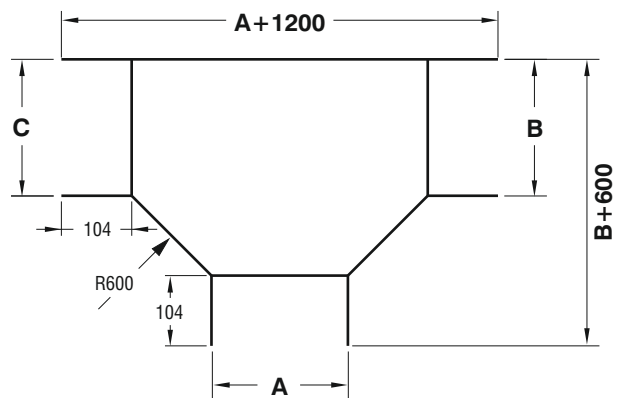
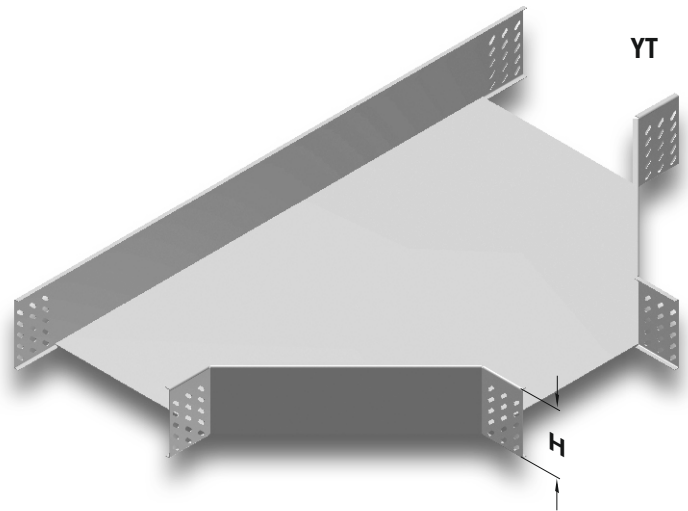
■ Material weights may vary by ± 10%

■ Please contact us for special size.

▶▶ CTA "T" MODULE R=600

Hot Dip Galvanized After Fabrication (TS EN ISO 1461)

Description	H (mm)	ABC (mm)	T (mm)	Weight (kg./pc)	Order Code
040 CTA 050 YT	40	50	2	6,043	3002710
040 CTA 100 YT	40	100	2	7,137	3002711
040 CTA 150 YT	40	150	2	8,017	3002712
040 CTA 200 YT	40	200	2	9,604	3002713
040 CTA 250 YT	40	250	2	10,944	3002714
040 CTA 300 YT	40	300	2	12,376	3002715
040 CTA 400 YT	40	400	2	15,513	3002716
040 CTA 500 YT	40	500	2	18,997	3002717
040 CTA 600 YT	40	600	2	22,825	3002718
050 CTA 050 YT	50	50	2	7,084	3002719
050 CTA 100 YT	50	100	2	8,186	3002720
050 CTA 150 YT	50	150	2	9,375	3002721
050 CTA 200 YT	50	200	2	10,651	3002722
050 CTA 250 YT	50	250	2	12,012	3002723
050 CTA 300 YT	50	300	2	13,461	3002724
050 CTA 400 YT	50	400	2	16,616	3002725
050 CTA 500 YT	50	500	2	20,116	3002726
050 CTA 600 YT	50	600	2	23,961	3002727
060 CTA 100 YT	60	100	2	8,745	3002728
060 CTA 150 YT	60	150	2	9,942	3002729
060 CTA 200 YT	60	200	2	11,275	3002730
060 CTA 250 YT	60	250	2	12,596	3002731
060 CTA 300 YT	60	300	2	14,053	3002732
060 CTA 400 YT	60	400	2	16,981	3002733
060 CTA 500 YT	60	500	2	20,790	3002734
060 CTA 600 YT	60	600	2	24,553	3002735
075 CTA 100 YT	75	100	2	8,800	3002736
075 CTA 150 YT	75	150	2	10,011	3002737
075 CTA 200 YT	75	200	2	11,308	3002738
075 CTA 250 YT	75	250	2	12,691	3002739
075 CTA 300 YT	75	300	2	14,160	3002740
075 CTA 400 YT	75	400	2	17,359	3002741
075 CTA 500 YT	75	500	2	20,902	3002742
075 CTA 600 YT	75	600	2	24,783	3002743
100 CTA 100 YT	100	100	2	10,979	3002744
100 CTA 150 YT	100	150	2	12,211	3002745
100 CTA 200 YT	100	200	2	13,529	3002746
100 CTA 250 YT	100	250	2	14,934	3002747
100 CTA 300 YT	100	300	2	16,425	3002748
100 CTA 400 YT	100	400	2	19,666	3002749
100 CTA 500 YT	100	500	2	23,253	3002750
100 CTA 600 YT	100	600	2	25,185	3002751



H=040, H=050, H=060 single row perforated.
 H=075 two rows perforated.
 H=100 three rows perforated.
 H=125 four rows perforated.
 H=150 five rows perforated.

Description	H (mm)	ABC (mm)	T (mm)	Weight (kg./pc)	Order Code
125 CTA 150 YT	125	150	2	13,607	3003503
125 CTA 200 YT	125	200	2	14,947	3003504
125 CTA 250 YT	125	250	2	16,374	3003505
125 CTA 300 YT	125	300	2	17,886	3003506
125 CTA 400 YT	125	400	2	21,171	3003507
125 CTA 500 YT	125	500	2	24,801	3003508
125 CTA 600 YT	125	600	2	26,165	3003509
150 CTA 200 YT	150	200	2	16,408	3003510
150 CTA 250 YT	150	250	2	18,381	3003511
150 CTA 300 YT	150	300	2	20,471	3003512
150 CTA 400 YT	150	400	2	22,718	3003513
150 CTA 500 YT	150	500	2	25,751	3003514
150 CTA 600 YT	150	600	2	27,827	3003515

■ Please indicate order code in your orders.

■ Material weights may vary by ± 10%

■ Please contact us for special size.

►► **CTA "T" MODULE COVER R=117**
Hot Dip Galvanized After Fabrication (TS EN ISO 1461)

Description	ABC (mm)	T (mm)	Weight (kg./pc)	Order Code
CTA 050 YT COVER	55	2	1,003	3005454
CTA 100 YT COVER	105	2	1,724	3005666
CTA 150 YT COVER	155	2	2,531	3005664
CTA 200 YT COVER	205	2	3,424	3005662
CTA 250 YT COVER	255	2	4,406	3005660
CTA 300 YT COVER	305	2	5,473	3005658
CTA 400 YT COVER	405	2	7,868	3005656
CTA 500 YT COVER	505	2	10,611	3005654
CTA 600 YT COVER	605	2	13,701	3005652

►► **CTA "T" MODULE COVER R=450**
Hot Dip Galvanized After Fabrication (TS EN ISO 1461)

Description	A (mm)	T (mm)	Weight (kg./pc)	Order Code
CTA 050 YT COVER	55	2	2,202	3005067
CTA 100 YT COVER	105	2	3,031	3005068
CTA 150 YT COVER	155	2	3,946	3005069
CTA 200 YT COVER	205	2	4,947	3005070
CTA 250 YT COVER	255	2	6,035	3005071
CTA 300 YT COVER	305	2	7,208	3005072
CTA 400 YT COVER	405	2	8,935	3005073
CTA 500 YT COVER	505	2	12,768	3005074
CTA 600 YT COVER	605	2	16,066	3005075

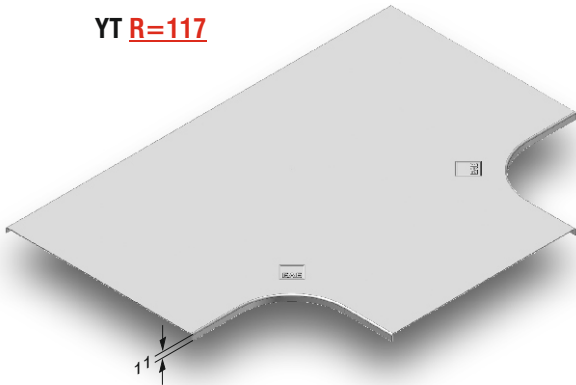
►► **CTA "T" MODULE COVER R=300**
Hot Dip Galvanized After Fabrication (TS EN ISO 1461)

Description	A (mm)	T (mm)	Weight (kg./pc)	Order Code
CTA 050 YT COVER	55	2	1,221	3005058
CTA 100 YT COVER	105	2	1,823	3005059
CTA 150 YT COVER	155	2	2,509	3005060
CTA 200 YT COVER	205	2	3,284	3005061
CTA 250 YT COVER	255	2	4,144	3005062
CTA 300 YT COVER	305	2	5,090	3005063
CTA 400 YT COVER	405	2	7,241	3005064
CTA 500 YT COVER	505	2	9,738	3005065
CTA 600 YT COVER	605	2	12,581	3005066

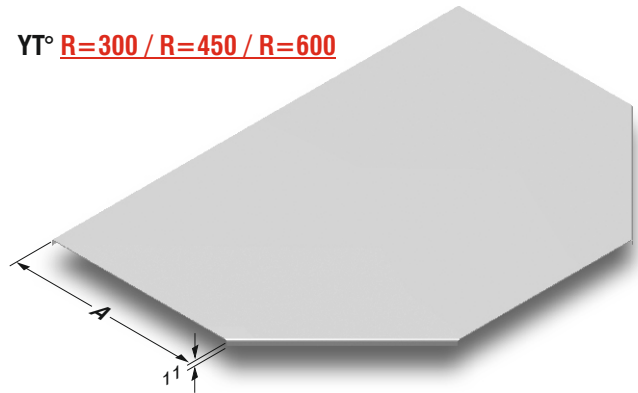
►► **CTA "T" MODULE COVER R=600**
Hot Dip Galvanized After Fabrication (TS EN ISO 1461)

Description	A (mm)	T (mm)	Weight (kg./pc)	Order Code
CTA 050 YT COVER	55	2	3,450	3005076
CTA 100 YT COVER	105	2	4,506	3005077
CTA 150 YT COVER	155	2	5,649	3005078
CTA 200 YT COVER	205	2	6,877	3005079
CTA 250 YT COVER	255	2	8,193	3005080
CTA 300 YT COVER	305	2	9,594	3005081
CTA 400 YT COVER	405	2	12,657	3005082
CTA 500 YT COVER	505	2	16,064	3005083
CTA 600 YT COVER	605	2	19,818	3005084

YT **R=117**



YT° **R=300 / R=450 / R=600**



■ Please indicate order code in your orders.

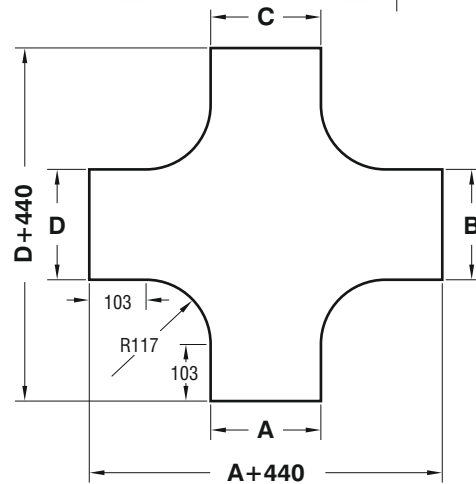
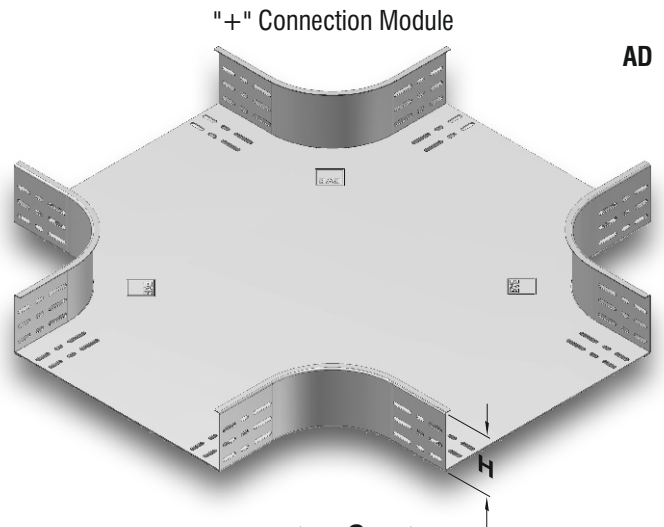
■ Material weights may vary by ± 10%

■ Please contact us for special size.

▶▶ CTA "+" CONNECTION MODULE

Hot Dip Galvanized After Fabrication (TS EN ISO 1461)

Description	H (mm)	ABC (mm)	T (mm)	Weight (kg./pc)	Order Code
040 CTA 050 AD	40	50	2	2,153	3005732
040 CTA 100 AD	40	100	2	2,992	3006199
040 CTA 150 AD	40	150	2	3,879	3006197
040 CTA 200 AD	40	200	2	4,845	3006195
040 CTA 250 AD	40	250	2	5,889	3006193
040 CTA 300 AD	40	300	2	7,011	3006191
040 CTA 400 AD	40	400	2	9,492	3006189
040 CTA 500 AD	40	500	2	12,287	3006187
040 CTA 600 AD	40	600	2	15,394	3006185
050 CTA 050 AD	50	50	2	2,457	3001180
050 CTA 100 AD	50	100	2	3,296	3007696
050 CTA 150 AD	50	150	2	4,183	3007174
050 CTA 200 AD	50	200	2	5,149	3007694
050 CTA 250 AD	50	250	2	7,193	3007172
050 CTA 300 AD	50	300	2	7,315	3007692
050 CTA 400 AD	50	400	2	9,796	3007690
050 CTA 500 AD	50	500	2	12,591	3007688
050 CTA 600 AD	50	600	2	15,698	3007686
060 CTA 100 AD	60	100	2	3,542	3006183
060 CTA 150 AD	60	150	2	4,429	3006181
060 CTA 200 AD	60	200	2	5,395	3006179
060 CTA 250 AD	60	250	2	7,439	3006177
060 CTA 300 AD	60	300	2	7,561	3006175
060 CTA 400 AD	60	400	2	10,042	3006173
060 CTA 500 AD	60	500	2	12,837	3006171
060 CTA 600 AD	60	600	2	15,944	3006169
075 CTA 100 AD	75	100	2	3,908	3007170
075 CTA 150 AD	75	150	2	4,795	3007168
075 CTA 200 AD	75	200	2	5,761	3007684
075 CTA 250 AD	75	250	2	7,805	3007166
075 CTA 300 AD	75	300	2	7,927	3007682
075 CTA 400 AD	75	400	2	10,408	3007680
075 CTA 500 AD	75	500	2	13,203	3007678
075 CTA 600 AD	75	600	2	16,310	3007676
100 CTA 100 AD	100	100	2	4,516	3001181
100 CTA 150 AD	100	150	2	5,403	3007164
100 CTA 200 AD	100	200	2	6,369	3007674
100 CTA 250 AD	100	250	2	8,413	3007162
100 CTA 300 AD	100	300	2	8,535	3007672
100 CTA 400 AD	100	400	2	11,016	3007670
100 CTA 500 AD	100	500	2	13,811	3007668
100 CTA 600 AD	100	600	2	16,918	3007666



H=040, H=050, H=060 single row perforated.
 H=075 two rows perforated.
 H=100 three rows perforated.
 H=125 four rows perforated.
 H=150 five rows perforated.

Description	H (mm)	ABC (mm)	T (mm)	Weight (kg./pc)	Order Code
125 CTA 150 AD	125	150	2	8,920	3003516
125 CTA 200 AD	125	200	2	8,987	3003517
125 CTA 250 AD	125	250	2	9,972	3003518
125 CTA 300 AD	125	300	2	10,830	3003519
125 CTA 400 AD	125	400	2	13,216	3003520
125 CTA 500 AD	125	500	2	15,938	3003521
125 CTA 600 AD	125	600	2	19,003	3003522
150 CTA 200 AD	150	200	2	9,794	3003523
150 CTA 250 AD	150	250	2	10,775	3003524
150 CTA 300 AD	150	300	2	11,644	3003525
150 CTA 400 AD	150	400	2	14,023	3003526
150 CTA 500 AD	150	500	2	16,641	3003527
150 CTA 600 AD	150	600	2	19,806	3003528

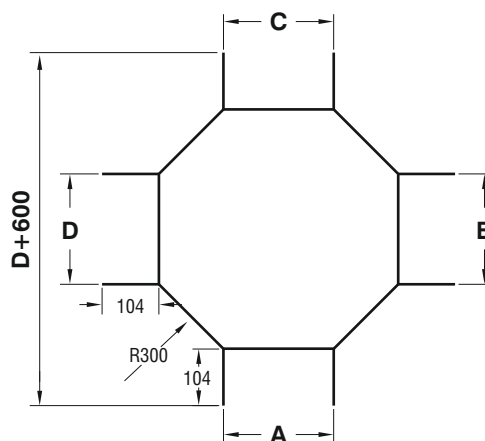
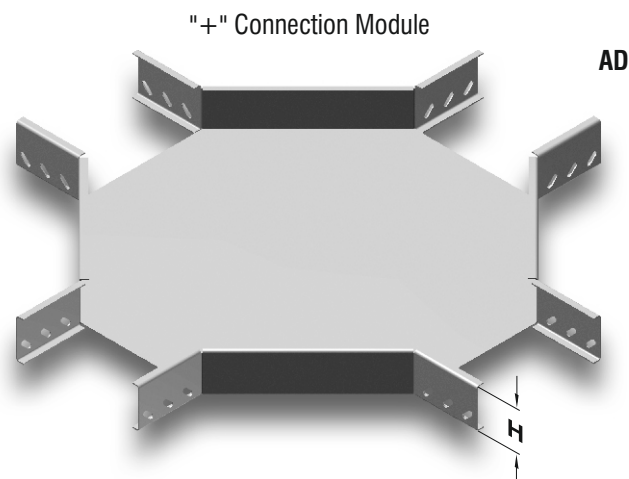
■ Please indicate order code in your orders.

■ Material weights may vary by ± 10%

■ Please contact us for special size.

▶▶ CTA "+" CONNECTION MODULE $R=300$ Hot Dip Galvanized After Fabrication (TS EN ISO 1461)

Description	H (mm)	ABC (mm)	T (mm)	Weight (kg./pc)	Order Code
040 CTA 050 AD	40	50	2	3,616	3002752
040 CTA 100 AD	40	100	2	4,352	3002753
040 CTA 150 AD	40	150	2	4,683	3002754
040 CTA 200 AD	40	200	2	5,038	3002755
040 CTA 250 AD	40	250	2	7,080	3002756
040 CTA 300 AD	40	300	2	8,161	3002757
040 CTA 400 AD	40	400	2	10,584	3002758
040 CTA 500 AD	40	500	2	13,353	3002759
040 CTA 600 AD	40	600	2	16,466	3002760
050 CTA 050 AD	50	50	2	3,929	3002761
050 CTA 100 AD	50	100	2	4,666	3002762
050 CTA 150 AD	50	150	2	5,489	3002763
050 CTA 200 AD	50	200	2	6,398	3002764
050 CTA 250 AD	50	250	2	7,393	3002765
050 CTA 300 AD	50	300	2	8,476	3002766
050 CTA 400 AD	50	400	2	10,978	3002767
050 CTA 500 AD	50	500	2	13,666	3002768
050 CTA 600 AD	50	600	2	16,781	3002769
060 CTA 100 AD	60	100	2	4,980	3002770
060 CTA 150 AD	60	150	2	5,803	3002771
060 CTA 200 AD	60	200	2	6,712	3002772
060 CTA 250 AD	60	250	2	7,708	3002773
060 CTA 300 AD	60	300	2	8,789	3002774
060 CTA 400 AD	60	400	2	11,212	3002775
060 CTA 500 AD	60	500	2	13,981	3002776
060 CTA 600 AD	60	600	2	17,094	3002777
075 CTA 100 AD	75	100	2	5,398	3002778
075 CTA 150 AD	75	150	2	6,221	3002779
075 CTA 200 AD	75	200	2	7,129	3002780
075 CTA 250 AD	75	250	2	8,125	3002781
075 CTA 300 AD	75	300	2	9,207	3002782
075 CTA 400 AD	75	400	2	11,960	3002783
075 CTA 500 AD	75	500	2	14,398	3002784
075 CTA 600 AD	75	600	2	17,512	3002785
100 CTA 100 AD	100	100	2	6,129	3002786
100 CTA 150 AD	100	150	2	6,952	3002787
100 CTA 200 AD	100	200	2	7,861	3002788
100 CTA 250 AD	100	250	2	8,856	3002789
100 CTA 300 AD	100	300	2	9,939	3002790
100 CTA 400 AD	100	400	2	12,362	3002791
100 CTA 500 AD	100	500	2	15,129	3002792
100 CTA 600 AD	100	600	2	18,244	3002793



H=040, H=050, H=060 single row perforated.
 H=075 two rows perforated.
 H=100 three rows perforated.
 H=125 four rows perforated.
 H=150 five rows perforated.

Description	H (mm)	ABC (mm)	T (mm)	Weight (kg./pc)	Order Code
125 CTA 150 AD	125	150	2	8,135	3003529
125 CTA 200 AD	125	200	2	8,910	3003530
125 CTA 250 AD	125	250	2	10,040	3003531
125 CTA 300 AD	125	300	2	11,121	3003532
125 CTA 400 AD	125	400	2	13,543	3003533
125 CTA 500 AD	125	500	2	16,312	3003534
125 CTA 600 AD	125	600	2	19,426	3003535
150 CTA 200 AD	150	200	2	8,853	3003536
150 CTA 250 AD	150	250	2	10,894	3003537
150 CTA 300 AD	150	300	2	11,977	3003538
150 CTA 400 AD	150	400	2	14,399	3003539
150 CTA 500 AD	150	500	2	17,168	3003540
150 CTA 600 AD	150	600	2	20,281	3003541

■ Please indicate order code in your orders.

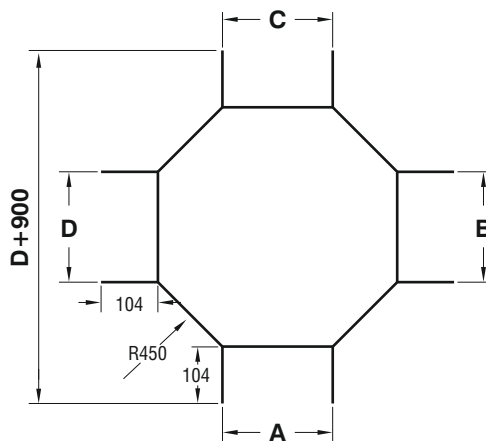
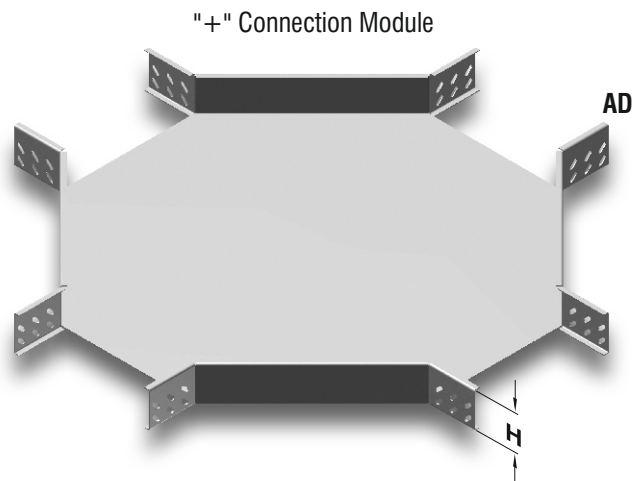
■ Material weights may vary by $\pm 10\%$

■ Please contact us for special size.

▶▶ CTA "+" CONNECTION MODULE $R=450$

Hot Dip Galvanized After Fabrication (TS EN ISO 1461)

Description	H (mm)	ABC (mm)	T (mm)	Weight (kg./pc)	Order Code
040 CTA 050 AD	40	50	2	4,950	3002794
040 CTA 100 AD	40	100	2	6,828	3002795
040 CTA 150 AD	40	150	2	7,954	3002796
040 CTA 200 AD	40	200	2	9,167	3002797
040 CTA 250 AD	40	250	2	10,467	3002798
040 CTA 300 AD	40	300	2	11,851	3002799
040 CTA 400 AD	40	400	2	14,882	3002800
040 CTA 500 AD	40	500	2	18,257	3002801
040 CTA 600 AD	40	600	2	21,978	3002802
050 CTA 050 AD	50	50	2	5,349	3002803
050 CTA 100 AD	50	100	2	7,228	3002804
050 CTA 150 AD	50	150	2	8,355	3002805
050 CTA 200 AD	50	200	2	9,567	3002806
050 CTA 250 AD	50	250	2	10,866	3002807
050 CTA 300 AD	50	300	2	12,252	3002808
050 CTA 400 AD	50	400	2	15,281	3002809
050 CTA 500 AD	50	500	2	18,657	3002810
050 CTA 600 AD	50	600	2	22,377	3002811
060 CTA 100 AD	60	100	2	7,627	3002812
060 CTA 150 AD	60	150	2	8,754	3002813
060 CTA 200 AD	60	200	2	9,901	3002814
060 CTA 250 AD	60	250	2	11,266	3002815
060 CTA 300 AD	60	300	2	12,652	3002816
060 CTA 400 AD	60	400	2	15,682	3002817
060 CTA 500 AD	60	500	2	19,056	3002818
060 CTA 600 AD	60	600	2	22,778	3002819
075 CTA 100 AD	75	100	2	7,075	3002820
075 CTA 150 AD	75	150	2	9,301	3002821
075 CTA 200 AD	75	200	2	10,513	3002822
075 CTA 250 AD	75	250	2	11,812	3002823
075 CTA 300 AD	75	300	2	13,198	3002824
075 CTA 400 AD	75	400	2	16,227	3002825
075 CTA 500 AD	75	500	2	19,603	3002826
075 CTA 600 AD	75	600	2	23,323	3002827
100 CTA 100 AD	100	100	2	8,021	3002828
100 CTA 150 AD	100	150	2	10,247	3002829
100 CTA 200 AD	100	200	2	11,459	3002830
100 CTA 250 AD	100	250	2	12,758	3002831
100 CTA 300 AD	100	300	2	14,144	3002832
100 CTA 400 AD	100	400	2	17,173	3002833
100 CTA 500 AD	100	500	2	20,549	3002834
100 CTA 600 AD	100	600	2	24,269	3002835



H=040, H=050, H=060 single row perforated.
 H=075 two rows perforated.
 H=100 three rows perforated.
 H=125 four rows perforated.
 H=150 five rows perforated.

Description	H (mm)	ABC (mm)	T (mm)	Weight (kg./pc)	Order Code
125 CTA 150 AD	125	150	2	12,910	3003542
125 CTA 200 AD	125	200	2	14,122	3003543
125 CTA 250 AD	125	250	2	15,421	3003544
125 CTA 300 AD	125	300	2	16,807	3003545
125 CTA 400 AD	125	400	2	19,836	3003546
125 CTA 500 AD	125	500	2	23,212	3003547
125 CTA 600 AD	125	600	2	26,932	3003548
150 CTA 200 AD	150	200	2	15,407	3003549
150 CTA 250 AD	150	250	2	16,706	3003550
150 CTA 300 AD	150	300	2	18,091	3003551
150 CTA 400 AD	150	400	2	21,121	3003552
150 CTA 500 AD	150	500	2	24,496	3003553
150 CTA 600 AD	150	600	2	28,217	3003554

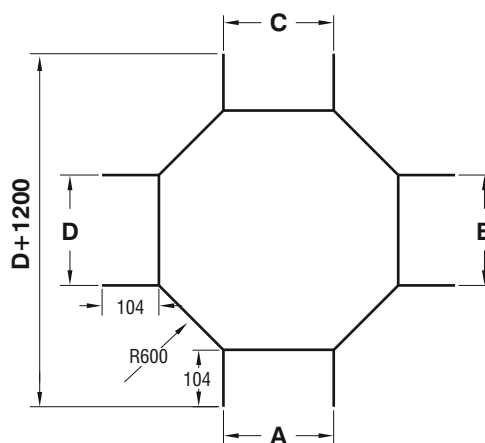
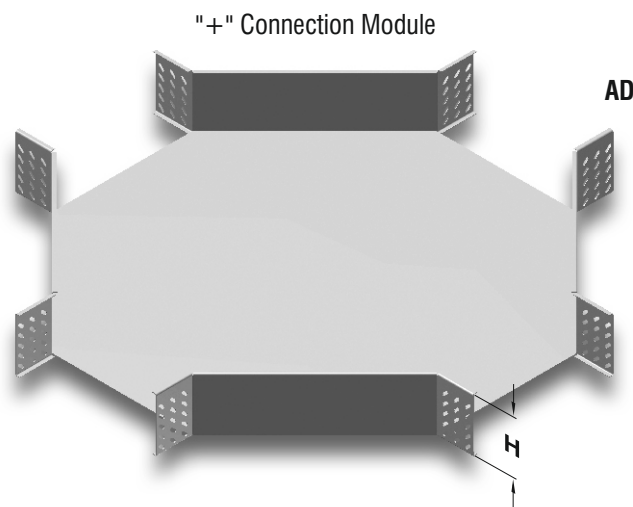
■ Please indicate order code in your orders.

■ Material weights may vary by $\pm 10\%$

■ Please contact us for special size.

▶▶ CTA "+" CONNECTION MODULE $R=600$ Hot Dip Galvanized After Fabrication (TS EN ISO 1461)

Description	H (mm)	ABC (mm)	T (mm)	Weight (kg./pc)	Order Code
040 CTA 050 AD	40	50	2	7,114	3002836
040 CTA 100 AD	40	100	2	9,837	3002837
040 CTA 150 AD	40	150	2	11,267	3002838
040 CTA 200 AD	40	200	2	12,784	3002839
040 CTA 250 AD	40	250	2	14,386	3002840
040 CTA 300 AD	40	300	2	16,075	3002841
040 CTA 400 AD	40	400	2	19,712	3002842
040 CTA 500 AD	40	500	2	23,694	3002843
040 CTA 600 AD	40	600	2	28,243	3002844
050 CTA 050 AD	50	50	2	7,599	3002845
050 CTA 100 AD	50	100	2	10,324	3002846
050 CTA 150 AD	50	150	2	11,754	3002847
050 CTA 200 AD	50	200	2	13,269	3002848
050 CTA 250 AD	50	250	2	14,872	3002849
050 CTA 300 AD	50	300	2	16,561	3002850
050 CTA 400 AD	50	400	2	20,198	3002851
050 CTA 500 AD	50	500	2	24,180	3002852
050 CTA 600 AD	50	600	2	28,508	3002853
060 CTA 100 AD	60	100	2	8,971	3002854
060 CTA 150 AD	60	150	2	12,118	3002855
060 CTA 200 AD	60	200	2	13,633	3002856
060 CTA 250 AD	60	250	2	15,236	3002857
060 CTA 300 AD	60	300	2	16,926	3002858
060 CTA 400 AD	60	400	2	20,562	3002859
060 CTA 500 AD	60	500	2	24,544	3002860
060 CTA 600 AD	60	600	2	28,994	3002861
075 CTA 100 AD	75	100	2	9,767	3002862
075 CTA 150 AD	75	150	2	12,914	3002863
075 CTA 200 AD	75	200	2	14,430	3002864
075 CTA 250 AD	75	250	2	16,033	3002865
075 CTA 300 AD	75	300	2	17,722	3002866
075 CTA 400 AD	75	400	2	21,359	3002867
075 CTA 500 AD	75	500	2	25,341	3002868
075 CTA 600 AD	75	600	2	29,668	3002869
100 CTA 100 AD	100	100	2	10,927	3002870
100 CTA 150 AD	100	150	2	14,075	3002871
100 CTA 200 AD	100	200	2	15,590	3002872
100 CTA 250 AD	100	250	2	17,193	3002873
100 CTA 300 AD	100	300	2	18,883	3002874
100 CTA 400 AD	100	400	2	22,519	3002875
100 CTA 500 AD	100	500	2	26,501	3002876
100 CTA 600 AD	100	600	2	30,829	3002877



H=040, H=050, H=060 single row perforated.
H=075 two rows perforated.
H=100 three rows perforated.
H=125 four rows perforated.
H=150 five rows perforated.

Description	H (mm)	ABC (mm)	T (mm)	Weight (kg./pc)	Order Code
125 CTA 150 AD	125	150	2	17,118	3003555
125 CTA 200 AD	125	200	2	19,734	3003556
125 CTA 250 AD	125	250	2	21,337	3003557
125 CTA 300 AD	125	300	2	23,025	3003558
125 CTA 400 AD	125	400	2	26,662	3003559
125 CTA 500 AD	125	500	2	30,645	3003560
125 CTA 600 AD	125	600	2	34,972	3003561
150 CTA 200 AD	150	200	2	21,448	3003562
150 CTA 250 AD	150	250	2	23,051	3003563
150 CTA 300 AD	150	300	2	24,739	3003564
150 CTA 400 AD	150	400	2	30,576	3003565
150 CTA 500 AD	150	500	2	32,358	3003566
150 CTA 600 AD	150	600	2	36,686	3003567

■ Please indicate order code in your orders.

■ Material weights may vary by $\pm 10\%$

■ Please contact us for special size.

▶▶ **CTA "+" CONNECTION MODULE COVER R=117**
Hot Dip Galvanized After Fabrication (TS EN ISO 1461)

Description	ABCD (mm)	T (mm)	Weight (kg./pc)	Order Code
CTA 050 AD COVER	55	2	1,299	3005452
CTA 100 AD COVER	105	2	2,265	3005650
CTA 150 AD COVER	155	2	3,182	3005648
CTA 200 AD COVER	205	2	4,331	3005646
CTA 250 AD COVER	255	2	5,409	3005644
CTA 300 AD COVER	305	2	6,743	3005642
CTA 400 AD COVER	405	2	9,503	3005640
CTA 500 AD COVER	505	2	12,610	3005638
CTA 600 AD COVER	605	2	16,064	3005636

▶▶ **CTA "+" CONNECTION MODULE COVER R=450**
Hot Dip Galvanized After Fabrication (TS EN ISO 1461)

Description	A (mm)	T (mm)	Weight (kg./pc)	Order Code
CTA 050 AD COVER	55	2	3,678	3005094
CTA 100 AD COVER	105	2	4,727	3005095
CTA 150 AD COVER	155	2	5,862	3005096
CTA 200 AD COVER	205	2	7,083	3005097
CTA 250 AD COVER	255	2	8,391	3005098
CTA 300 AD COVER	305	2	9,786	3005099
CTA 400 AD COVER	405	2	12,833	3005100
CTA 500 AD COVER	505	2	16,225	3005101
CTA 600 AD COVER	605	2	19,963	3005102

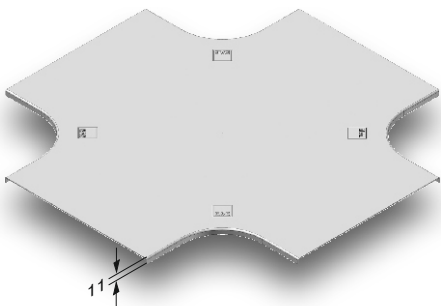
▶▶ **CTA "+" CONNECTION MODULE COVER R=300**
Hot Dip Galvanized After Fabrication (TS EN ISO 1461)

Description	A (mm)	T (mm)	Weight (kg./pc)	Order Code
CTA 050 AD COVER	55	2	1,936	3005085
CTA 100 AD COVER	105	2	2,682	3005086
CTA 150 AD COVER	155	2	3,513	3005087
CTA 200 AD COVER	205	2	4,431	3005088
CTA 250 AD COVER	255	2	5,435	3005089
CTA 300 AD COVER	305	2	7,625	3005090
CTA 400 AD COVER	405	2	8,966	3005091
CTA 500 AD COVER	505	2	11,751	3005092
CTA 600 AD COVER	605	2	14,882	3005093

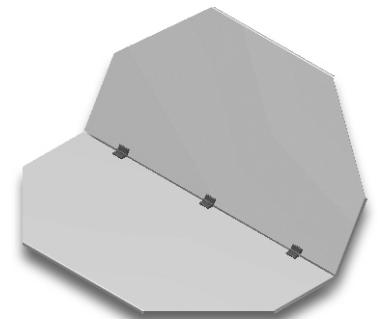
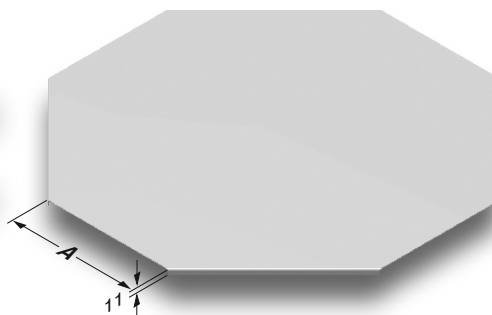
▶▶ **CTA "+" CONNECTION MODULE COVER R=600**
Hot Dip Galvanized After Fabrication (TS EN ISO 1461)

Description	A (mm)	T (mm)	Weight (kg./pc)	Order Code
CTA 050 AD COVER	55	2	5,954	3005103
CTA 100 AD COVER	105	2	7,306	3005104
CTA 150 AD COVER	155	2	8,745	3005105
CTA 200 AD COVER	205	2	10,270	3005106
CTA 250 AD COVER	255	2	11,880	3005107
CTA 300 AD COVER	305	2	13,578	3005108
CTA 400 AD COVER	405	2	17,233	3005109
CTA 500 AD COVER	505	2	21,232	3005110
CTA 600 AD COVER	605	2	25,576	3005111

AD **R=117**



AD **R=300 / R=450 / R=600**



■ Please indicate order code in your orders.

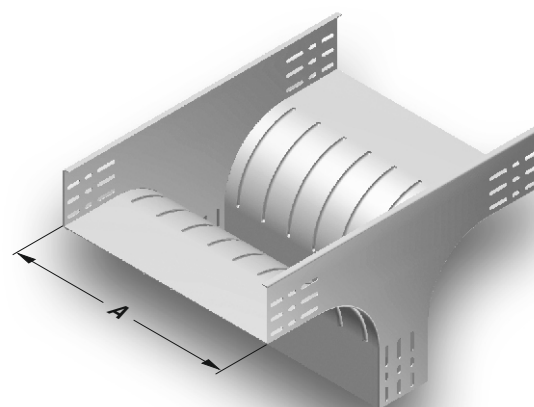
■ Material weights may vary by ± 10%

■ R=600, The lids with a Width of 500 and 600 will be supplied as two separate hinged parts.

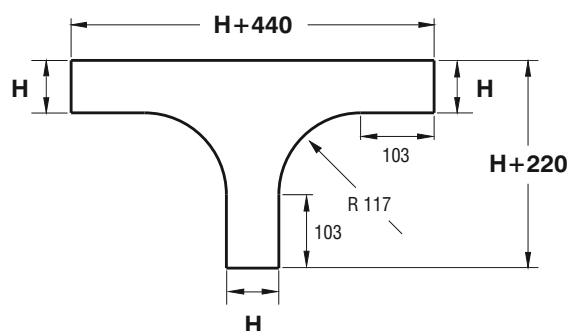
■ Please contact us for special size.

▶▶ CTA "T" MIDDLE DESCENT MODULE Hot Dip Galvanized After Fabrication (TS EN ISO 1461)

Description	H (mm)	A (mm)	T (mm)	Weight (kg./pc)	Order Code
040 CTA 050 TO	40	50	2	2,079	3005738
040 CTA 100 TO	40	100	2	2,794	3005794
040 CTA 150 TO	40	150	2	3,470	3005728
040 CTA 200 TO	40	200	2	4,148	3005726
040 CTA 250 TO	40	250	2	4,824	3005724
040 CTA 300 TO	40	300	2	5,501	3005722
040 CTA 400 TO	40	400	2	6,855	3005917
040 CTA 500 TO	40	500	2	8,209	3005915
040 CTA 600 TO	40	600	2	9,563	3005913
<hr/>					
050 CTA 050 TO	50	50	2	2,100	3001174
050 CTA 100 TO	50	100	2	2,782	3007514
050 CTA 150 TO	50	150	2	3,465	3007256
050 CTA 200 TO	50	200	2	4,147	3007512
050 CTA 250 TO	50	250	2	4,829	3007254
050 CTA 300 TO	50	300	2	5,610	3007510
050 CTA 400 TO	50	400	2	6,875	3007508
050 CTA 500 TO	50	500	2	8,240	3007506
050 CTA 600 TO	50	600	2	9,604	3007504
<hr/>					
060 CTA 100 TO	60	100	2	3,053	3005714
060 CTA 150 TO	60	150	2	3,735	3005712
060 CTA 200 TO	60	200	2	4,417	3005710
060 CTA 250 TO	60	250	2	5,099	3005708
060 CTA 300 TO	60	300	2	5,782	3005706
060 CTA 400 TO	60	400	2	7,146	3005901
060 CTA 500 TO	60	500	2	8,510	3005899
060 CTA 600 TO	60	600	2	9,874	3005897
<hr/>					
075 CTA 100 TO	75	100	2	3,383	3007252
075 CTA 150 TO	75	150	2	4,065	3007250
075 CTA 200 TO	75	200	2	4,747	3007502
075 CTA 250 TO	75	250	2	5,430	3007248
075 CTA 300 TO	75	300	2	6,112	3007500
075 CTA 400 TO	75	400	2	7,476	3007498
075 CTA 500 TO	75	500	2	8,840	3007496
075 CTA 600 TO	75	600	2	10,205	3007494
<hr/>					
100 CTA 100 TO	100	100	2	4,081	3001175
100 CTA 150 TO	100	150	2	4,763	3007246
100 CTA 200 TO	100	200	2	5,446	3007492
100 CTA 250 TO	100	250	2	6,128	3007244
100 CTA 300 TO	100	300	2	6,810	3007490
100 CTA 400 TO	100	400	2	8,174	3007488
100 CTA 500 TO	100	500	2	9,538	3007486
100 CTA 600 TO	100	600	2	10,903	3007484



TO



H=040, H=050, H=060 single row perforated.
H=075 two rows perforated.
H=100 three rows perforated.
H=125 four rows perforated.
H=150 five rows perforated.

Description	H (mm)	A (mm)	T (mm)	Weight (kg./pc)	Order Code
125 CTA 150 TO	125	150	2	5,829	3003568
125 CTA 200 TO	125	200	2	6,663	3003569
125 CTA 250 TO	125	250	2	7,499	3003570
125 CTA 300 TO	125	300	2	8,335	3003571
125 CTA 400 TO	125	400	2	9,957	3003572
125 CTA 500 TO	125	500	2	11,670	3003573
125 CTA 600 TO	125	600	2	13,339	3003574
<hr/>					
150 CTA 200 TO	150	200	2	7,323	3003575
150 CTA 250 TO	150	250	2	8,241	3003576
150 CTA 300 TO	150	300	2	9,160	3003577
150 CTA 400 TO	150	400	2	10,942	3003578
150 CTA 500 TO	150	500	2	12,825	3003579
150 CTA 600 TO	150	600	2	14,659	3003580

■ Please indicate order code in your orders.

■ Material weights may vary by ± 10%

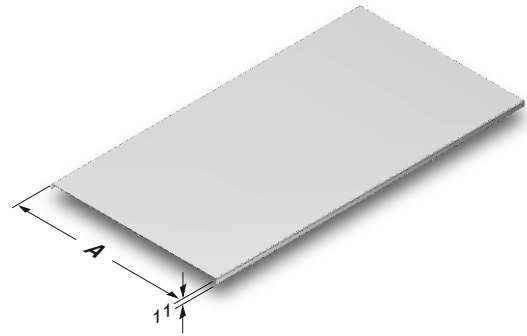
■ Please contact us for special size.

▶▶ CTA "T" MIDDLE DESCENT MODULE COVER

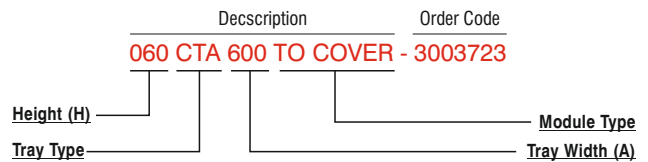
Hot Dip Galvanized After Fabrication (TS EN ISO 1461)

Description	A (mm)	T (mm)	Weight (kg./pc)	Order Code
040 CTA 050 TO COVER	55	2	0,625	3005446
040 CTA 100 TO COVER	105	2	1,042	3005548
040 CTA 150 TO COVER	155	2	1,459	3005546
040 CTA 200 TO COVER	205	2	1,874	3005544
040 CTA 250 TO COVER	255	2	2,291	3005542
040 CTA 300 TO COVER	305	2	2,708	3005540
040 CTA 400 TO COVER	405	2	3,541	3005538
040 CTA 500 TO COVER	505	2	4,375	3005536
040 CTA 600 TO COVER	605	2	5,207	3005534
050 CTA 050 TO COVER	55	2	0,638	3001170
050 CTA 100 TO COVER	105	2	1,064	3005532
050 CTA 150 TO COVER	155	2	1,488	3005530
050 CTA 200 TO COVER	205	2	1,914	3005528
050 CTA 250 TO COVER	255	2	2,339	3005526
050 CTA 300 TO COVER	305	2	2,764	3005524
050 CTA 400 TO COVER	405	2	3,615	3005522
050 CTA 500 TO COVER	505	2	4,465	3005520
050 CTA 600 TO COVER	605	2	5,316	3005518
060 CTA 100 TO COVER	105	2	1,085	3005516
060 CTA 150 TO COVER	155	2	1,519	3005514
060 CTA 200 TO COVER	205	2	1,953	3005512
060 CTA 250 TO COVER	255	2	2,387	3005510
060 CTA 300 TO COVER	305	2	2,820	3005508
060 CTA 400 TO COVER	405	2	3,688	3005506
060 CTA 500 TO COVER	505	2	4,556	3005504
060 CTA 600 TO COVER	605	2	5,424	3005502
075 CTA 100 TO COVER	105	2	1,118	3005500
075 CTA 150 TO COVER	155	2	1,564	3005434
075 CTA 200 TO COVER	205	2	2,012	3005498
075 CTA 250 TO COVER	255	2	2,459	3005432
075 CTA 300 TO COVER	305	2	2,905	3005496
075 CTA 400 TO COVER	405	2	3,799	3005494
075 CTA 500 TO COVER	505	2	4,694	3005492
075 CTA 600 TO COVER	605	2	5,587	3005490
100 CTA 100 TO COVER	105	2	1,172	3001171
100 CTA 150 TO COVER	155	2	1,640	3005430
100 CTA 200 TO COVER	205	2	2,109	3005488
100 CTA 250 TO COVER	255	2	2,577	3005428
100 CTA 300 TO COVER	305	2	3,046	3005486
100 CTA 400 TO COVER	405	2	3,984	3005484
100 CTA 500 TO COVER	505	2	4,921	3005482
100 CTA 600 TO COVER	605	2	5,859	3005480

TO



Sample Order:



Description	A (mm)	T (mm)	Weight (kg./pc)	Order Code
125 CTA 150 TO COVER	155	2	1,702	3003711
125 CTA 200 TO COVER	205	2	2,190	3003712
125 CTA 250 TO COVER	255	2	2,677	3003713
125 CTA 300 TO COVER	305	2	3,166	3003714
125 CTA 400 TO COVER	405	2	4,142	3003715
125 CTA 500 TO COVER	505	2	5,117	3003716
125 CTA 600 TO COVER	605	2	6,093	3003717
150 CTA 200 TO COVER	205	2	2,287	3003718
150 CTA 250 TO COVER	255	2	2,796	3003719
150 CTA 300 TO COVER	305	2	3,306	3003720
150 CTA 400 TO COVER	405	2	4,324	3003721
150 CTA 500 TO COVER	505	2	5,344	3003722
150 CTA 600 TO COVER	605	2	6,362	3003723

■ Please indicate order code in your orders.

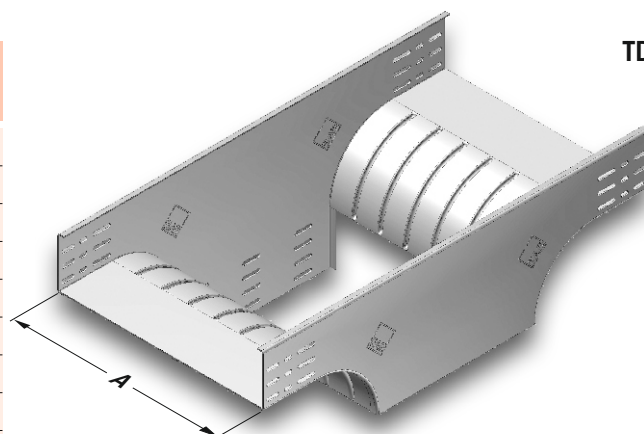
■ Material weights may vary by ± 10%

■ Please contact us for special size.

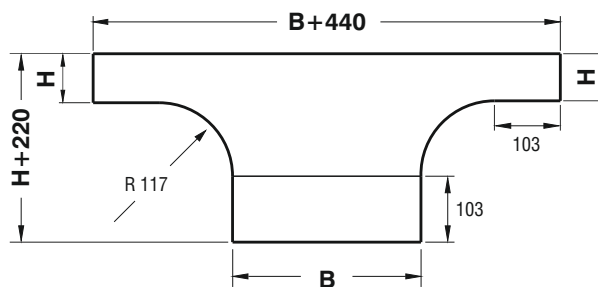
▶▶ CTA VERTICAL "T" WALL DESCENT MODULE

Hot Dip Galvanized After Fabrication (TS EN ISO 1461)

Description	H (mm)	A (mm)	B (mm)	T (mm)	Weight (kg./pc)	Order Code
040 CTA 050 TD	40	50	50	2	1,992	3005736
040 CTA 100 TD	40	100	100	2	2,911	3005810
040 CTA 150 TD	40	150	150	2	3,534	3005808
040 CTA 200 TD	40	200	200	2	4,398	3005806
040 CTA 250 TD	40	250	250	2	5,900	3005804
040 CTA 300 TD	40	300	300	2	6,842	3005802
040 CTA 400 TD	40	400	300	2	7,950	3005949
040 CTA 500 TD	40	500	300	2	8,578	3005947
040 CTA 600 TD	40	600	300	2	9,649	3005945
050 CTA 050 TD	50	50	50	2	2,105	3001214
050 CTA 100 TD	50	100	100	2	3,029	3007450
050 CTA 150 TD	50	150	150	2	3,955	3007284
050 CTA 200 TD	50	200	200	2	4,863	3007448
050 CTA 250 TD	50	250	250	2	5,788	3007282
050 CTA 300 TD	50	300	300	2	6,697	3007446
050 CTA 400 TD	50	400	300	2	7,766	3007444
050 CTA 500 TD	50	500	300	2	8,834	3007442
050 CTA 600 TD	50	600	300	2	9,904	3007440
060 CTA 100 TD	60	100	100	2	3,216	3005776
060 CTA 150 TD	60	150	150	2	4,159	3005774
060 CTA 200 TD	60	200	200	2	5,084	3005772
060 CTA 250 TD	60	250	250	2	6,027	3005770
060 CTA 300 TD	60	300	300	2	6,953	3005768
060 CTA 400 TD	60	400	300	2	8,021	3005933
060 CTA 500 TD	60	500	300	2	9,089	3005931
060 CTA 600 TD	60	600	300	2	10,161	3005929
075 CTA 100 TD	75	100	100	2	3,462	3007280
075 CTA 150 TD	75	150	150	2	4,430	3007278
075 CTA 200 TD	75	200	200	2	5,382	3007438
075 CTA 250 TD	75	250	250	2	6,350	3007276
075 CTA 300 TD	75	300	300	2	7,302	3007436
075 CTA 400 TD	75	400	300	2	8,371	3007434
075 CTA 500 TD	75	500	300	2	9,439	3007432
075 CTA 600 TD	75	600	300	2	10,509	3007430
100 CTA 100 TD	100	100	100	2	3,894	3001215
100 CTA 150 TD	100	150	150	2	4,906	3007274
100 CTA 200 TD	100	200	200	2	5,900	3007428
100 CTA 250 TD	100	250	250	2	6,911	3007272
100 CTA 300 TD	100	300	300	2	7,907	3007426
100 CTA 400 TD	100	400	300	2	8,975	3007424
100 CTA 500 TD	100	500	300	2	10,044	3007422
100 CTA 600 TD	100	600	300	2	11,114	3007420



TD



H=040, H=050, H=060 single row perforated.
 H=075 two rows perforated.
 H=100 three rows perforated.
 H=125 four rows perforated.
 H=150 five rows perforated.

Description	H (mm)	A (mm)	B (mm)	T (mm)	Weight (kg./pc)	Order Code
125 CTA 150 TD	125	150	150	2	5,446	3003581
125 CTA 200 TD	125	200	200	2	6,488	3003582
125 CTA 250 TD	125	250	250	2	7,545	3003583
125 CTA 300 TD	125	300	300	2	8,587	3003584
125 CTA 400 TD	125	400	300	2	9,661	3003585
125 CTA 500 TD	125	500	300	2	10,736	3003586
125 CTA 600 TD	125	600	300	2	11,770	3003587
150 CTA 200 TD	150	200	200	2	6,896	3003588
150 CTA 250 TD	150	250	250	2	7,987	3003589
150 CTA 300 TD	150	300	300	2	9,064	3003590
150 CTA 400 TD	150	400	300	2	10,139	3003591
150 CTA 500 TD	150	500	300	2	11,213	3003592
150 CTA 600 TD	150	600	300	2	12,288	3003593

■ Please indicate order code in your orders.

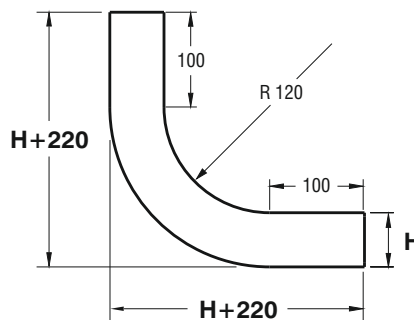
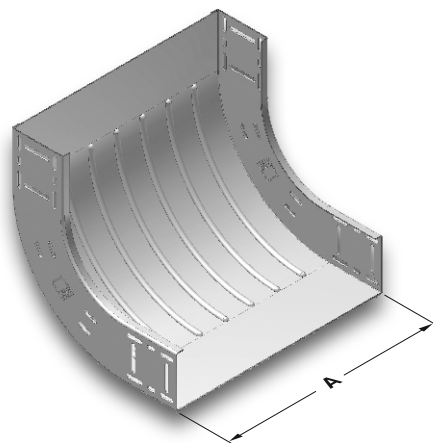
■ Material weights may vary by ± 10%

■ Please contact us for special size.

▶▶ CTA CONCAVE MODULE (90°)

Hot Dip Galvanized After Fabrication (TS EN ISO 1461)

Description	H (mm)	A (mm)	T (mm)	Weight (kg./pc)	Order Code
040 CTA 050 ID	40	50	2	1,232	3005740
040 CTA 100 ID	40	100	2	1,621	3006157
040 CTA 150 ID	40	150	2	2,010	3006155
040 CTA 200 ID	40	200	2	2,399	3006153
040 CTA 250 ID	40	250	2	2,787	3006151
040 CTA 300 ID	40	300	2	3,177	3006149
040 CTA 400 ID	40	400	2	3,955	3006147
040 CTA 500 ID	40	500	2	4,732	3006145
040 CTA 600 ID	40	600	2	5,510	3006143
<hr/>					
050 CTA 050 ID	50	50	2	1,409	3001176
050 CTA 100 ID	50	100	2	1,812	3007634
050 CTA 150 ID	50	150	2	2,214	3007202
050 CTA 200 ID	50	200	2	2,617	3007632
050 CTA 250 ID	50	250	2	3,020	3007200
050 CTA 300 ID	50	300	2	3,422	3007630
050 CTA 400 ID	50	400	2	4,227	3007628
050 CTA 500 ID	50	500	2	5,033	3007626
050 CTA 600 ID	50	600	2	5,837	3007624
<hr/>					
060 CTA 100 ID	60	100	2	2,009	3006141
060 CTA 150 ID	60	150	2	2,424	3006139
060 CTA 200 ID	60	200	2	2,840	3006137
060 CTA 250 ID	60	250	2	3,257	3006135
060 CTA 300 ID	60	300	2	3,673	3006133
060 CTA 400 ID	60	400	2	4,506	3006131
060 CTA 500 ID	60	500	2	5,337	3006129
060 CTA 600 ID	60	600	2	6,170	3006127
<hr/>					
075 CTA 100 ID	75	100	2	2,313	3007198
075 CTA 150 ID	75	150	2	2,750	3007196
075 CTA 200 ID	75	200	2	3,187	3007622
075 CTA 250 ID	75	250	2	3,623	3007194
075 CTA 300 ID	75	300	2	4,060	3007620
075 CTA 400 ID	75	400	2	4,932	3007618
075 CTA 500 ID	75	500	2	5,806	3007616
075 CTA 600 ID	75	600	2	6,679	3007614
<hr/>					
100 CTA 100 ID	100	100	2	2,849	3001177
100 CTA 150 ID	100	150	2	3,320	3007192
100 CTA 200 ID	100	200	2	3,790	3007612
100 CTA 250 ID	100	250	2	4,260	3007190
100 CTA 300 ID	100	300	2	4,731	3007610
100 CTA 400 ID	100	400	2	5,673	3007608
100 CTA 500 ID	100	500	2	6,613	3007606
100 CTA 600 ID	100	600	2	7,555	3007604



ID

■ Please indicate order code in your orders.

■ Material weights may vary by ± 10%

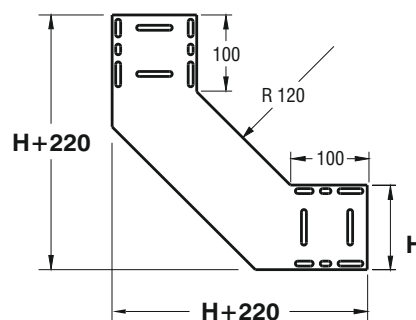
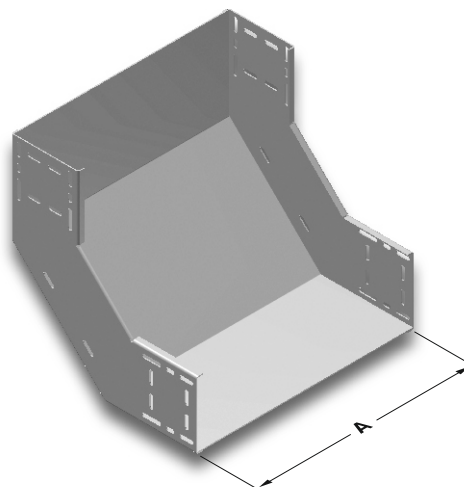
■ Please contact us for special size.

▶▶ CTA CONCAVE MODULE (90°)

Hot Dip Galvanized After Fabrication (TS EN ISO 1461)

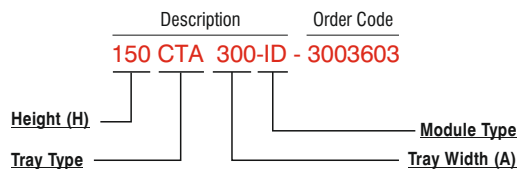
Description	H (mm)	A (mm)	T (mm)	Weight (kg./pc)	Order Code
125 CTA 150 ID	125	150	2	3,770	3003594
125 CTA 200 ID	125	200	2	4,275	3003595
125 CTA 250 ID	125	250	2	4,778	3003596
125 CTA 300 ID	125	300	2	5,283	3003597
125 CTA 400 ID	125	400	2	6,292	3003598
125 CTA 500 ID	125	500	2	7,301	3003599
125 CTA 600 ID	125	600	2	8,309	3003600
150 CTA 200 ID	150	200	2	4,958	3003601
150 CTA 250 ID	150	250	2	5,501	3003602
150 CTA 300 ID	150	300	2	6,039	3003603
150 CTA 400 ID	150	400	2	7,120	3003604
150 CTA 500 ID	150	500	2	8,202	3003605
150 CTA 600 ID	150	600	2	9,283	3003606

ID



Sample Order:

Height (H): 150 mm,
 Tray Width (A): 300 mm,
 Sheet Metal Thickness (T): 2 mm,
 Type of Coating (S): Hot Dip Galvanized,
 Module Type: Horizontal Elbow Module



■ Please indicate order code in your orders.

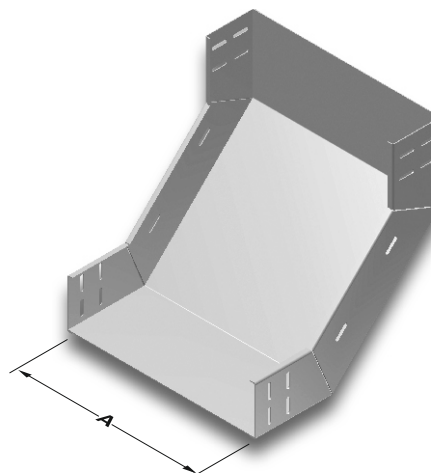
■ Material weights may vary by ± 10%

■ Please contact us for special size.

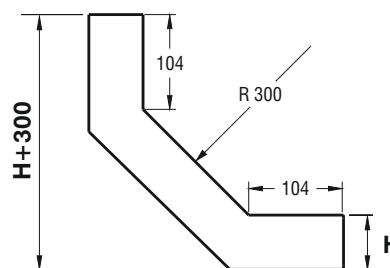
▶▶ CTA CONCAVE MODULE (90°) R=300

Hot Dip Galvanized After Fabrication (TS EN ISO 1461)

Description	H (mm)	A (mm)	T (mm)	Weight (kg./pc)	Order Code
040 CTA 050 ID	40	50	2	1,612	3002878
040 CTA 100 ID	40	100	2	2,091	3002879
040 CTA 150 ID	40	150	2	2,576	3002880
040 CTA 200 ID	40	200	2	3,064	3002881
040 CTA 250 ID	40	250	2	3,550	3002882
040 CTA 300 ID	40	300	2	4,036	3002883
040 CTA 400 ID	40	400	2	4,990	3002884
040 CTA 500 ID	40	500	2	5,960	3002885
040 CTA 600 ID	40	600	2	6,928	3002886
050 CTA 050 ID	50	50	2	1,813	3002887
050 CTA 100 ID	50	100	2	2,296	3002888
050 CTA 150 ID	50	150	2	2,774	3002889
050 CTA 200 ID	50	200	2	3,276	3002890
050 CTA 250 ID	50	250	2	3,758	3002891
050 CTA 300 ID	50	300	2	4,256	3002892
050 CTA 400 ID	50	400	2	5,332	3002893
050 CTA 500 ID	50	500	2	6,214	3002894
050 CTA 600 ID	50	600	2	7,186	3002895
060 CTA 100 ID	60	100	2	2,518	3002896
060 CTA 150 ID	60	150	2	3,020	3002897
060 CTA 200 ID	60	200	2	3,522	3002898
060 CTA 250 ID	60	250	2	4,033	3002899
060 CTA 300 ID	60	300	2	4,535	3002900
060 CTA 400 ID	60	400	2	5,536	3002901
060 CTA 500 ID	60	500	2	6,552	3002902
060 CTA 600 ID	60	600	2	7,970	3002903
075 CTA 100 ID	75	100	2	2,863	3002904
075 CTA 150 ID	75	150	2	3,394	3002905
075 CTA 200 ID	75	200	2	3,926	3002906
075 CTA 250 ID	75	250	2	4,440	3002907
075 CTA 300 ID	75	300	2	4,970	3002908
075 CTA 400 ID	75	400	2	5,974	3002909
075 CTA 500 ID	75	500	2	7,204	3002910
075 CTA 600 ID	75	600	2	8,117	3002911
100 CTA 100 ID	100	100	2	3,482	3002912
100 CTA 150 ID	100	150	2	4,041	3002913
100 CTA 200 ID	100	200	2	4,608	3002914
100 CTA 250 ID	100	250	2	5,162	3002915
100 CTA 300 ID	100	300	2	5,723	3002916
100 CTA 400 ID	100	400	2	6,842	3002917
100 CTA 500 ID	100	500	2	7,960	3002918
100 CTA 600 ID	100	600	2	9,083	3002919



ID



Description	H (mm)	A (mm)	T (mm)	Weight (kg./pc)	Order Code
125 CTA 150 ID	125	150	2	4,740	3003607
125 CTA 200 ID	125	200	2	5,345	3003608
125 CTA 250 ID	125	250	2	5,949	3003609
125 CTA 300 ID	125	300	2	6,553	3003610
125 CTA 400 ID	125	400	2	7,762	3003611
125 CTA 500 ID	125	500	2	8,971	3003612
125 CTA 600 ID	125	600	2	10,178	3003613
150 CTA 200 ID	150	200	2	6,123	3003614
150 CTA 250 ID	150	250	2	6,762	3003615
150 CTA 300 ID	150	300	2	7,402	3003616
150 CTA 400 ID	150	400	2	8,682	3003617
150 CTA 500 ID	150	500	2	9,958	3003618
150 CTA 600 ID	150	600	2	11,242	3003619

■ Please indicate order code in your orders.

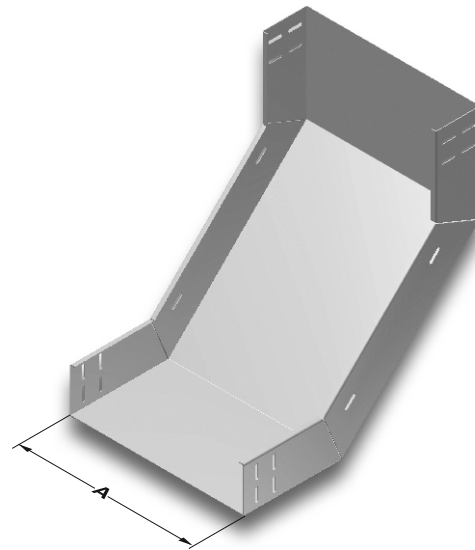
■ Material weights may vary by ± 10%

■ Please contact us for special size.

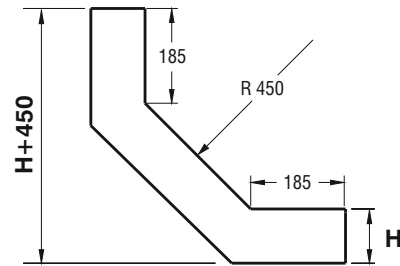
▶▶ CTA CONCAVE MODULE (90°) R=450

Hot Dip Galvanized After Fabrication (TS EN ISO 1461)

Description	H (mm)	A (mm)	T (mm)	Weight (kg./pc)	Order Code
040 CTA 050 ID	40	50	2	2,372	3002920
040 CTA 100 ID	40	100	2	3,068	3002921
040 CTA 150 ID	40	150	2	3,753	3002922
040 CTA 200 ID	40	200	2	4,451	3002923
040 CTA 250 ID	40	250	2	5,137	3002924
040 CTA 300 ID	40	300	2	5,837	3002925
040 CTA 400 ID	40	400	2	7,226	3002926
040 CTA 500 ID	40	500	2	8,609	3002927
040 CTA 600 ID	40	600	2	10,007	3002928
050 CTA 050 ID	50	50	2	2,646	3002929
050 CTA 100 ID	50	100	2	3,339	3002930
050 CTA 150 ID	50	150	2	4,046	3002931
050 CTA 200 ID	50	200	2	4,748	3002932
050 CTA 250 ID	50	250	2	5,443	3002933
050 CTA 300 ID	50	300	2	6,145	3002934
050 CTA 400 ID	50	400	2	7,543	3002935
050 CTA 500 ID	50	500	2	8,946	3002936
050 CTA 600 ID	50	600	2	10,343	3002937
060 CTA 100 ID	60	100	2	3,652	3002938
060 CTA 150 ID	60	150	2	4,362	3002939
060 CTA 200 ID	60	200	2	5,073	3002940
060 CTA 250 ID	60	250	2	5,797	3002941
060 CTA 300 ID	60	300	2	6,503	3002942
060 CTA 400 ID	60	400	2	7,932	3002943
060 CTA 500 ID	60	500	2	9,368	3002944
060 CTA 600 ID	60	600	2	10,791	3002945
075 CTA 100 ID	75	100	2	4,126	3002946
075 CTA 150 ID	75	150	2	4,864	3002947
075 CTA 200 ID	75	200	2	5,598	3002948
075 CTA 250 ID	75	250	2	6,332	3002949
075 CTA 300 ID	75	300	2	7,069	3002950
075 CTA 400 ID	75	400	2	8,542	3002951
075 CTA 500 ID	75	500	2	10,012	3002952
075 CTA 600 ID	75	600	2	11,490	3002953
100 CTA 100 ID	100	100	2	4,953	3002954
100 CTA 150 ID	100	150	2	5,723	3002955
100 CTA 200 ID	100	200	2	6,498	3002956
100 CTA 250 ID	100	250	2	7,262	3002957
100 CTA 300 ID	100	300	2	8,030	3002958
100 CTA 400 ID	100	400	2	9,570	3002959
100 CTA 500 ID	100	500	2	11,130	3002960
100 CTA 600 ID	100	600	2	12,662	3002961



ID



Description	H (mm)	A (mm)	T (mm)	Weight (kg./pc)	Order Code
125 CTA 150 ID	125	150	2	6,650	3003620
125 CTA 200 ID	125	200	2	7,468	3003621
125 CTA 250 ID	125	250	2	8,287	3003622
125 CTA 300 ID	125	300	2	9,106	3003623
125 CTA 400 ID	125	400	2	10,744	3003624
125 CTA 500 ID	125	500	2	12,382	3003625
125 CTA 600 ID	125	600	2	14,020	3003626
150 CTA 200 ID	150	200	2	8,461	3003627
150 CTA 250 ID	150	250	2	9,316	3003628
150 CTA 300 ID	150	300	2	10,170	3003629
150 CTA 400 ID	150	400	2	11,879	3003630
150 CTA 500 ID	150	500	2	13,588	3003631
150 CTA 600 ID	150	600	2	15,298	3003632

■ Please indicate order code in your orders.

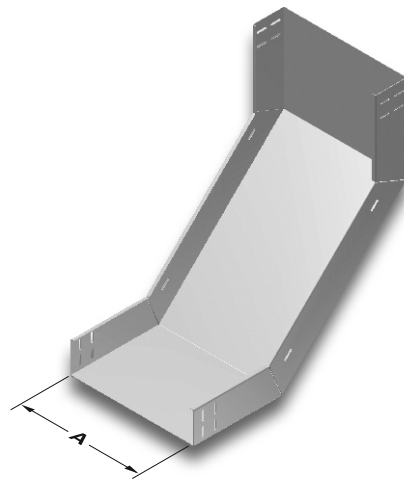
■ Material weights may vary by ± 10%

■ Please contact us for special size.

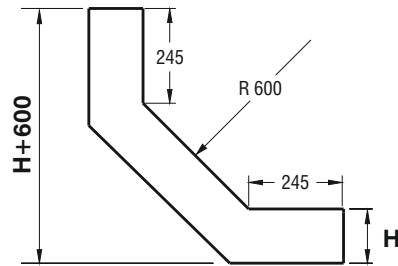
▶▶ CTA CONCAVE MODULE (90°) R=600

Hot Dip Galvanized After Fabrication (TS EN ISO 1461)

Description	H (mm)	A (mm)	T (mm)	Weight (kg./pc)	Order Code
040 CTA 050 ID	40	50	2	3,094	3002962
040 CTA 100 ID	40	100	2	4,001	3002963
040 CTA 150 ID	40	150	2	4,891	3002964
040 CTA 200 ID	40	200	2	5,789	3002965
040 CTA 250 ID	40	250	2	6,686	3002966
040 CTA 300 ID	40	300	2	7,586	3002967
040 CTA 400 ID	40	400	2	9,375	3002968
040 CTA 500 ID	40	500	2	11,182	3002969
040 CTA 600 ID	40	600	2	12,972	3002970
050 CTA 050 ID	50	50	2	3,482	3002971
050 CTA 100 ID	50	100	2	4,397	3002972
050 CTA 150 ID	50	150	2	5,305	3002973
050 CTA 200 ID	50	200	2	6,208	3002974
050 CTA 250 ID	50	250	2	7,125	3002975
050 CTA 300 ID	50	300	2	8,033	3002976
050 CTA 400 ID	50	400	2	9,862	3002977
050 CTA 500 ID	50	500	2	11,685	3002978
050 CTA 600 ID	50	600	2	13,518	3002979
060 CTA 100 ID	60	100	2	4,792	3002980
060 CTA 150 ID	60	150	2	5,719	3002981
060 CTA 200 ID	60	200	2	6,635	3002982
060 CTA 250 ID	60	250	2	7,557	3002983
060 CTA 300 ID	60	300	2	8,487	3002984
060 CTA 400 ID	60	400	2	10,342	3002985
060 CTA 500 ID	60	500	2	12,194	3002986
060 CTA 600 ID	60	600	2	14,039	3002987
075 CTA 100 ID	75	100	2	5,386	3002988
075 CTA 150 ID	75	150	2	6,334	3002989
075 CTA 200 ID	75	200	2	7,273	3002990
075 CTA 250 ID	75	250	2	8,238	3002991
075 CTA 300 ID	75	300	2	9,180	3002992
075 CTA 400 ID	75	400	2	11,072	3002993
075 CTA 500 ID	75	500	2	12,968	3002994
075 CTA 600 ID	75	600	2	14,851	3002995
100 CTA 100 ID	100	100	2	6,415	3002996
100 CTA 150 ID	100	150	2	7,405	3002997
100 CTA 200 ID	100	200	2	8,391	3002998
100 CTA 250 ID	100	250	2	9,363	3002999
100 CTA 300 ID	100	300	2	10,354	3003000
100 CTA 400 ID	100	400	2	12,318	3003001
100 CTA 500 ID	100	500	2	14,286	3003002
100 CTA 600 ID	100	600	2	16,253	3003003



ID



Description	H (mm)	A (mm)	T (mm)	Weight (kg./pc)	Order Code
125 CTA 150 ID	125	150	2	8,559	3003633
125 CTA 200 ID	125	200	2	9,592	3003634
125 CTA 250 ID	125	250	2	10,626	3003635
125 CTA 300 ID	125	300	2	11,659	3003636
125 CTA 400 ID	125	400	2	13,726	3003637
125 CTA 500 ID	125	500	2	15,793	3003638
125 CTA 600 ID	125	600	2	17,860	3003639
150 CTA 200 ID	150	200	2	10,800	3003640
150 CTA 250 ID	150	250	2	11,869	3003641
150 CTA 300 ID	150	300	2	12,938	3003642
150 CTA 400 ID	150	400	2	15,077	3003643
150 CTA 500 ID	150	500	2	17,215	3003644
150 CTA 600 ID	150	600	2	19,353	3003645

■ Please indicate order code in your orders.

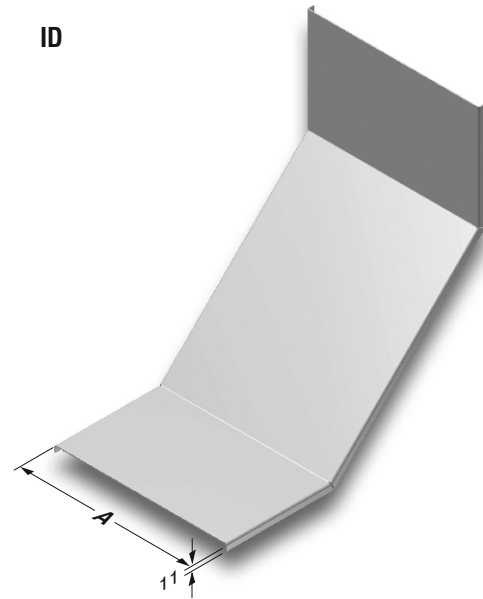
■ Material weights may vary by ± 10%

■ Please contact us for special size.

▶▶ CTA CONCAVE RISER MODULE COVER R=300

Hot Dip Galvanized After Fabrication (TS EN ISO 1461)

Description	A (mm)	T (mm)	Weight (kg./pc)	Order Code
CTA 050 ID COVER	55	2	0,609	3005112
CTA 100 ID COVER	105	2	1,035	3005113
CTA 150 ID COVER	155	2	1,462	3005114
CTA 200 ID COVER	205	2	1,888	3005115
CTA 250 ID COVER	255	2	2,314	3005116
CTA 300 ID COVER	305	2	2,740	3005117
CTA 400 ID COVER	405	2	3,593	3005118
CTA 500 ID COVER	505	2	4,444	3005119
CTA 600 ID COVER	605	2	5,297	3005120

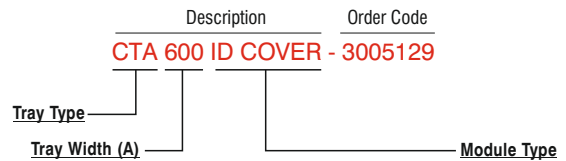


▶▶ CTA CONCAVE RISER MODULE COVER R=450

Hot Dip Galvanized After Fabrication (TS EN ISO 1461)

Description	A (mm)	T (mm)	Weight (kg./pc)	Order Code
CTA 050 ID COVER	55	2	0,916	3005121
CTA 100 ID COVER	105	2	1,557	3005122
CTA 150 ID COVER	155	2	2,198	3005123
CTA 200 ID COVER	205	2	2,838	3005124
CTA 250 ID COVER	255	2	3,478	3005125
CTA 300 ID COVER	305	2	4,119	3005126
CTA 400 ID COVER	405	2	5,400	3005127
CTA 500 ID COVER	505	2	6,682	3005128
CTA 600 ID COVER	605	2	7,963	3005129

Sample Order:



▶▶ CTA CONCAVE RISER MODULE COVER R=600

Hot Dip Galvanized After Fabrication (TS EN ISO 1461)

Description	A (mm)	T (mm)	Weight (kg./pc)	Order Code
CTA 050 ID COVER	55	2	1,223	3005130
CTA 100 ID COVER	105	2	2,078	3005131
CTA 150 ID COVER	155	2	2,933	3005132
CTA 200 ID COVER	205	2	3,788	3005133
CTA 250 ID COVER	255	2	4,643	3005134
CTA 300 ID COVER	305	2	5,498	3005135
CTA 400 ID COVER	405	2	7,209	3005136
CTA 500 ID COVER	505	2	8,919	3005137
CTA 600 ID COVER	605	2	10,629	3005138

■ Please indicate order code in your orders.

■ Material weights may vary by ± 10%

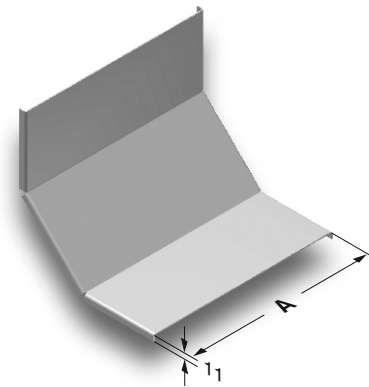
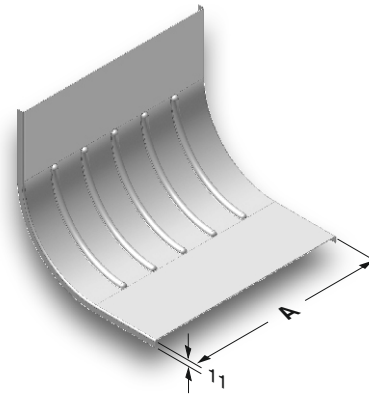
■ Please contact us for special size.

▶▶ CTA CONCAVE MODULE COVER (90°)

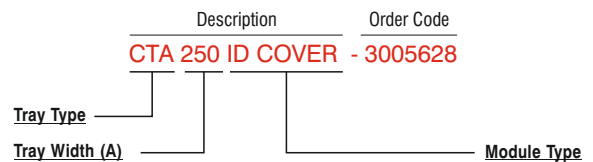
Hot Dip Galvanized After Fabrication (TS EN ISO 1461)

Description	A (mm)	T (mm)	Weight (kg./pc)	Order Code
CTA 050 ID COVER	55	2	0,512	3005450
CTA 100 ID COVER	105	2	0,845	3005634
CTA 150 ID COVER	155	2	1,178	3005632
CTA 200 ID COVER	205	2	1,510	3005630
CTA 250 ID COVER	255	2	1,843	3005628
CTA 300 ID COVER	305	2	2,176	3005626
CTA 400 ID COVER	405	2	2,841	3005624
CTA 500 ID COVER	505	2	3,506	3005622
CTA 600 ID COVER	605	2	4,172	3005620
<hr/>				
125 CTA 150 ID COVER	155	2	1,148	3002493
125 CTA 200 ID COVER	205	2	1,478	3002494
125 CTA 250 ID COVER	255	2	1,808	3002495
125 CTA 300 ID COVER	305	2	2,138	3002496
125 CTA 400 ID COVER	405	2	2,800	3002497
125 CTA 500 ID COVER	505	2	3,460	3002498
125 CTA 600 ID COVER	605	2	4,121	3002499
<hr/>				
150 CTA 200 ID COVER	205	2	1,478	3002494
150 CTA 250 ID COVER	255	2	1,808	3002495
150 CTA 300 ID COVER	305	2	2,138	3002496
150 CTA 400 ID COVER	405	2	2,800	3002497
150 CTA 500 ID COVER	505	2	3,460	3002498
150 CTA 600 ID COVER	605	2	4,121	3002499

ID



Sample Order:

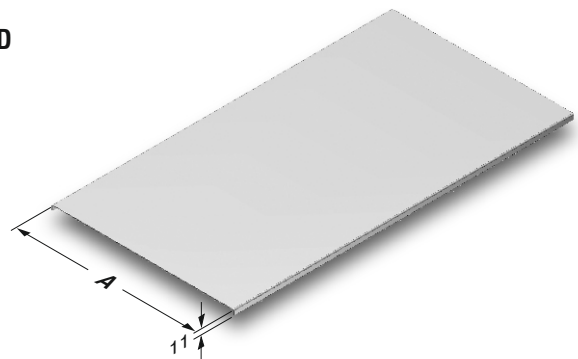


▶▶ CTA "T" WALL DESCENT MODULE COVER

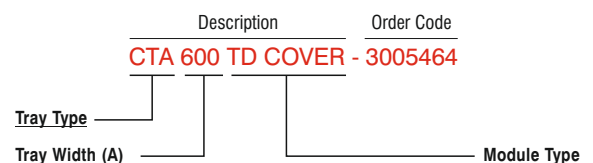
Hot Dip Galvanized After Fabrication (TS EN ISO 1461)

Description	A (mm)	T (mm)	Weight (kg./pc)	Order Code
CTA 050 TD COVER	55	2	0,638	3005444
CTA 100 TD COVER	105	2	1,172	3005478
CTA 150 TD COVER	155	2	1,792	3005476
CTA 200 TD COVER	205	2	2,305	3005474
CTA 250 TD COVER	255	2	3,055	3005472
CTA 300 TD COVER	305	2	4,175	3005470
CTA 400 TD COVER	405	2	5,459	3005468
CTA 500 TD COVER	505	2	6,744	3005466
CTA 600 TD COVER	605	2	8,028	3005464

TD



Sample Order:



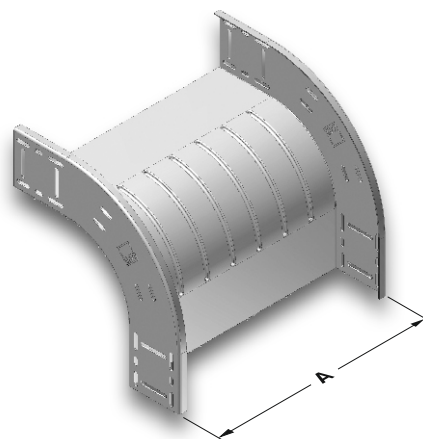
■ Please indicate order code in your orders.

■ Material weights may vary by ± 10%

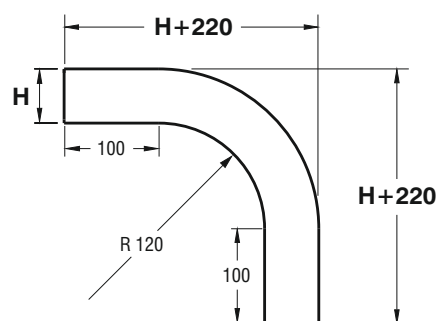
■ Please contact us for special size.

▶▶ CTA CONVEX MODULE (90°) Hot Dip Galvanized After Fabrication (TS EN ISO 1461)

Description	H (mm)	A (mm)	T (mm)	Weight (kg./pc)	Order Code
040 CTA 050 DD	40	50	2	1,187	3005742
040 CTA 100 DD	40	100	2	1,528	3005786
040 CTA 150 DD	40	150	2	1,868	3005784
040 CTA 200 DD	40	200	2	2,208	3005782
040 CTA 250 DD	40	250	2	2,549	3005780
040 CTA 300 DD	40	300	2	2,889	3005778
040 CTA 400 DD	40	400	2	3,568	3006083
040 CTA 500 DD	40	500	2	4,249	3006081
040 CTA 600 DD	40	600	2	4,930	3006079
<hr/>					
050 CTA 050 DD	50	50	2	1,352	3001178
050 CTA 100 DD	50	100	2	1,693	3007578
050 CTA 150 DD	50	150	2	2,033	3007228
050 CTA 200 DD	50	200	2	2,373	3007576
050 CTA 250 DD	50	250	2	2,713	3007226
050 CTA 300 DD	50	300	2	3,054	3007574
050 CTA 400 DD	50	400	2	3,733	3007572
050 CTA 500 DD	50	500	2	4,414	3007570
050 CTA 600 DD	50	600	2	5,094	3007568
<hr/>					
060 CTA 100 DD	60	100	2	1,862	3005760
060 CTA 150 DD	60	150	2	2,203	3005758
060 CTA 200 DD	60	200	2	2,543	3005756
060 CTA 250 DD	60	250	2	2,883	3005754
060 CTA 300 DD	60	300	2	3,224	3005752
060 CTA 400 DD	60	400	2	3,904	3006067
060 CTA 500 DD	60	500	2	4,585	3006065
060 CTA 600 DD	60	600	2	5,265	3006063
<hr/>					
075 CTA 100 DD	75	100	2	2,129	3007224
075 CTA 150 DD	75	150	2	2,468	3007222
075 CTA 200 DD	75	200	2	2,808	3007566
075 CTA 250 DD	75	250	2	3,149	3007220
075 CTA 300 DD	75	300	2	3,489	3007564
075 CTA 400 DD	75	400	2	4,170	3007562
075 CTA 500 DD	75	500	2	4,850	3007560
075 CTA 600 DD	75	600	2	5,531	3007558
<hr/>					
100 CTA 100 DD	100	100	2	2,598	3001179
100 CTA 150 DD	100	150	2	2,938	3007218
100 CTA 200 DD	100	200	2	3,279	3007556
100 CTA 250 DD	100	250	2	3,619	3007216
100 CTA 300 DD	100	300	2	3,959	3007554
100 CTA 400 DD	100	400	2	4,640	3007552
100 CTA 500 DD	100	500	2	5,320	3007550
100 CTA 600 DD	100	600	2	6,001	3007548



DD



■ Please indicate order code in your orders.

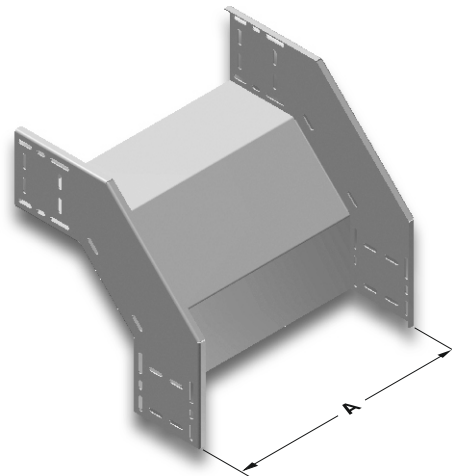
■ Material weights may vary by ± 10%

■ Please contact us for special size.

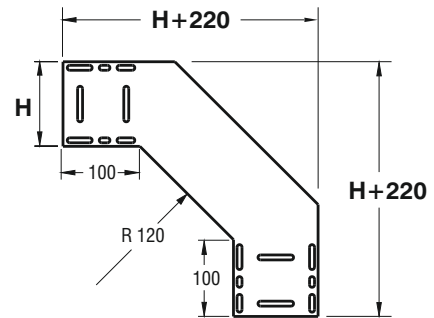
▶▶ CTA CONVEX MODULE (90°)

Hot Dip Galvanized After Fabrication (TS EN ISO 1461)

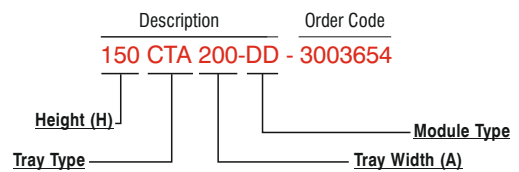
Description	H (mm)	A (mm)	T (mm)	Weight (kg./pc)	Order Code
125 CTA 150 DD	125	150	2	3,257	3003646
125 CTA 200 DD	125	200	2	3,590	3003647
125 CTA 250 DD	125	250	2	3,924	3003648
125 CTA 300 DD	125	300	2	4,257	3003649
125 CTA 400 DD	125	400	2	4,924	3003650
125 CTA 500 DD	125	500	2	5,590	3003651
125 CTA 600 DD	125	600	2	6,258	3003652
150 CTA 200 DD	150	200	2	4,129	3003653
150 CTA 250 DD	150	250	2	4,463	3003654
150 CTA 300 DD	150	300	2	4,796	3003655
150 CTA 400 DD	150	400	2	5,463	3003656
150 CTA 500 DD	150	500	2	6,129	3003657
150 CTA 600 DD	150	600	2	6,796	3003658



DD



Sample Order:
 Height (H): 150 mm,
 Tray Width (A): 200 mm,
 Sheet Metal Thickness (T): 2 mm,
 Type of Coating (S): Hot Dip Galvanized,
 Module Type: Convex Module.



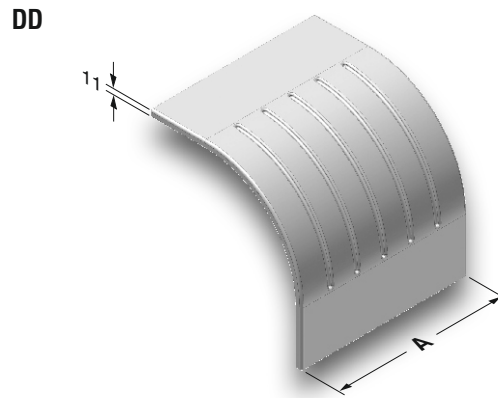
■ Please indicate order code in your orders.

■ Material weights may vary by ± 10%

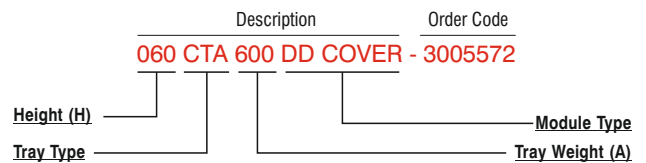
■ Please contact us for special size.

▶▶ CTA CONVEX MODULE COVER (90°) Hot Dip Galvanized After Fabrication (TS EN ISO 1461)

Description	A (mm)	T (mm)	Weight (kg./pc)	Order Code
040 CTA 050 DD COVER	55	2	0,596	3005448
040 CTA 100 DD COVER	105	2	0,983	3005618
040 CTA 150 DD COVER	155	2	1,370	3005616
040 CTA 200 DD COVER	205	2	1,757	3005614
040 CTA 250 DD COVER	255	2	2,143	3005612
040 CTA 300 DD COVER	305	2	2,530	3005610
040 CTA 400 DD COVER	405	2	3,304	3005608
040 CTA 500 DD COVER	505	2	4,078	3005606
040 CTA 600 DD COVER	605	2	4,852	3005604
<hr/>				
050 CTA 050 DD COVER	55	2	0,617	3001172
050 CTA 100 DD COVER	105	2	1,017	3005602
050 CTA 150 DD COVER	155	2	1,418	3005600
050 CTA 200 DD COVER	205	2	1,818	3005598
050 CTA 250 DD COVER	255	2	2,219	3005596
050 CTA 300 DD COVER	305	2	2,619	3005594
050 CTA 400 DD COVER	405	2	3,420	3005592
050 CTA 500 DD COVER	505	2	4,221	3005590
050 CTA 600 DD COVER	605	2	5,022	3005588
<hr/>				
060 CTA 100 DD COVER	105	2	1,052	3005586
060 CTA 150 DD COVER	155	2	1,466	3005584
060 CTA 200 DD COVER	205	2	1,880	3005582
060 CTA 250 DD COVER	255	2	2,294	3005580
060 CTA 300 DD COVER	305	2	2,708	3005578
060 CTA 400 DD COVER	405	2	3,536	3005576
060 CTA 500 DD COVER	505	2	4,364	3005574
060 CTA 600 DD COVER	605	2	5,192	3005572
<hr/>				
075 CTA 100 DD COVER	105	2	1,103	3005570
075 CTA 150 DD COVER	155	2	1,538	3005442
075 CTA 200 DD COVER	205	2	1,972	3005568
075 CTA 250 DD COVER	255	2	2,406	3005440
075 CTA 300 DD COVER	305	2	2,841	3005566
075 CTA 400 DD COVER	405	2	3,709	3005564
075 CTA 500 DD COVER	505	2	4,578	3005562
075 CTA 600 DD COVER	605	2	5,447	3005560
<hr/>				
100 CTA 100 DD COVER	105	2	1,189	3001173
100 CTA 150 DD COVER	155	2	1,658	3005438
100 CTA 200 DD COVER	205	2	2,126	3005558
100 CTA 250 DD COVER	255	2	2,594	3005436
100 CTA 300 DD COVER	305	2	3,062	3005556
100 CTA 400 DD COVER	405	2	3,999	3005554
100 CTA 500 DD COVER	505	2	4,935	3005552
100 CTA 600 DD COVER	605	2	5,872	3005550



Sample Order:



■ Please indicate order code in your orders.

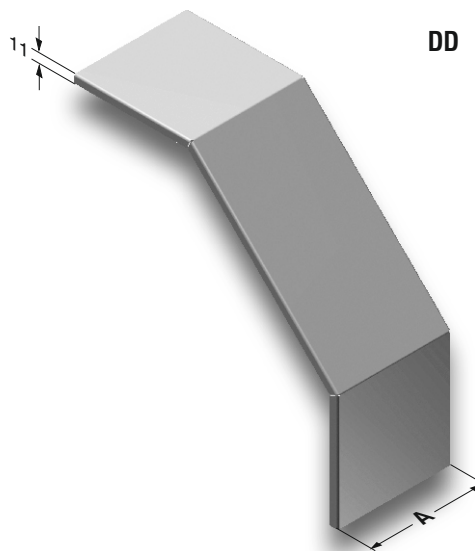
■ Material weights may vary by ± 10%

■ Please contact us for special size.

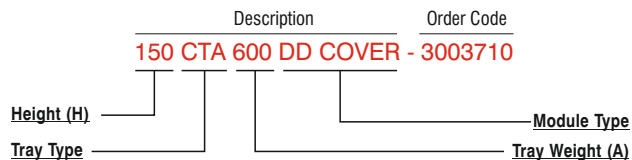
▶▶ CTA CONVEX MODULE COVER (90°)

Hot Dip Galvanized After Fabrication (TS EN ISO 1461)

Description	A (mm)	T (mm)	Weight (kg./pc)	Order Code
125 CTA 150 DD COVER	155	2	1,793	3003698
125 CTA 200 DD COVER	205	2	2,302	3003699
125 CTA 250 DD COVER	255	2	2,812	3003700
125 CTA 300 DD COVER	305	2	3,321	3003701
125 CTA 400 DD COVER	405	2	4,341	3003702
125 CTA 500 DD COVER	505	2	5,359	3003703
125 CTA 600 DD COVER	605	2	6,378	3003704
150 CTA 200 DD COVER	205	2	2,466	3003705
150 CTA 250 DD COVER	255	2	3,012	3003706
150 CTA 300 DD COVER	305	2	3,557	3003707
150 CTA 400 DD COVER	405	2	4,650	3003708
150 CTA 500 DD COVER	505	2	5,741	3003709
150 CTA 600 DD COVER	605	2	6,833	3003710



Sample Order:



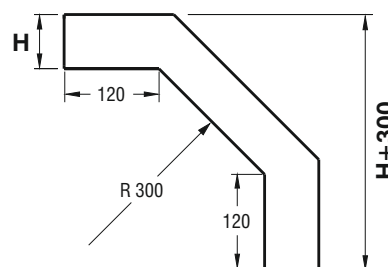
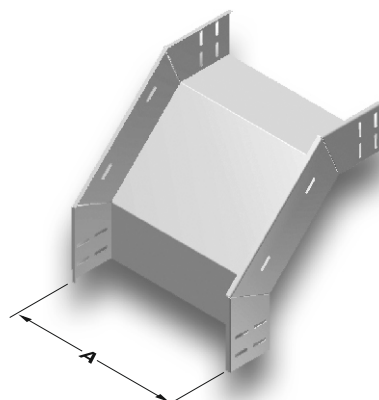
■ Please indicate order code in your orders.

■ Material weights may vary by ± 10%

■ Please contact us for special size.

▶▶ CTA CONVEX MODULE (90°) R=300 Hot Dip Galvanized After Fabrication (TS EN ISO 1461)

Description	H (mm)	A (mm)	T (mm)	Weight (kg./pc)	Order Code
040 CTA 050 DD	40	50	2	1,553	3003004
040 CTA 100 DD	40	100	2	1,980	3003005
040 CTA 150 DD	40	150	2	2,418	3003006
040 CTA 200 DD	40	200	2	2,827	3003007
040 CTA 250 DD	40	250	2	3,259	3003008
040 CTA 300 DD	40	300	2	3,692	3003009
040 CTA 400 DD	40	400	2	4,533	3003010
040 CTA 500 DD	40	500	2	5,386	3003011
040 CTA 600 DD	40	600	2	6,246	3003012
050 CTA 050 DD	50	50	2	1,748	3003013
050 CTA 100 DD	50	100	2	2,159	3003014
050 CTA 150 DD	50	150	2	2,592	3003015
050 CTA 200 DD	50	200	2	3,020	3003016
050 CTA 250 DD	50	250	2	3,434	3003017
050 CTA 300 DD	50	300	2	3,854	3003018
050 CTA 400 DD	50	400	2	4,718	3003019
050 CTA 500 DD	50	500	2	5,568	3003020
050 CTA 600 DD	50	600	2	6,413	3003021
060 CTA 100 DD	60	100	2	2,360	3003022
060 CTA 150 DD	60	150	2	2,690	3003023
060 CTA 200 DD	60	200	2	3,120	3003024
060 CTA 250 DD	60	250	2	3,538	3003025
060 CTA 300 DD	60	300	2	4,032	3003026
060 CTA 400 DD	60	400	2	4,868	3003027
060 CTA 500 DD	60	500	2	5,702	3003028
060 CTA 600 DD	60	600	2	6,542	3003029
075 CTA 100 DD	75	100	2	2,659	3003030
075 CTA 150 DD	75	150	2	3,076	3003031
075 CTA 200 DD	75	200	2	3,495	3003032
075 CTA 250 DD	75	250	2	3,916	3003033
075 CTA 300 DD	75	300	2	4,327	3003034
075 CTA 400 DD	75	400	2	5,172	3003035
075 CTA 500 DD	75	500	2	6,010	3003036
075 CTA 600 DD	75	600	2	6,848	3003037
100 CTA 100 DD	100	100	2	3,198	3003038
100 CTA 150 DD	100	150	2	3,626	3003039
100 CTA 200 DD	100	200	2	4,041	3003040
100 CTA 250 DD	100	250	2	4,457	3003041
100 CTA 300 DD	100	300	2	4,875	3003042
100 CTA 400 DD	100	400	2	5,719	3003043
100 CTA 500 DD	100	500	2	6,551	3003044
100 CTA 600 DD	100	600	2	7,396	3003045



DD

Description	H (mm)	A (mm)	T (mm)	Weight (kg./pc)	Order Code
125 CTA 150 DD	125	150	2	4,204	3003659
125 CTA 200 DD	125	200	2	4,629	3003660
125 CTA 250 DD	125	250	2	5,055	3003661
125 CTA 300 DD	125	300	2	5,480	3003662
125 CTA 400 DD	125	400	2	6,331	3003663
125 CTA 500 DD	125	500	2	7,182	3003664
125 CTA 600 DD	125	600	2	8,032	3003665
150 CTA 200 DD	150	200	2	5,264	3003666
150 CTA 250 DD	150	250	2	5,689	3003667
150 CTA 300 DD	150	300	2	6,115	3003668
150 CTA 400 DD	150	400	2	6,965	3003669
150 CTA 500 DD	150	500	2	7,817	3003670
150 CTA 600 DD	150	600	2	8,667	3003671

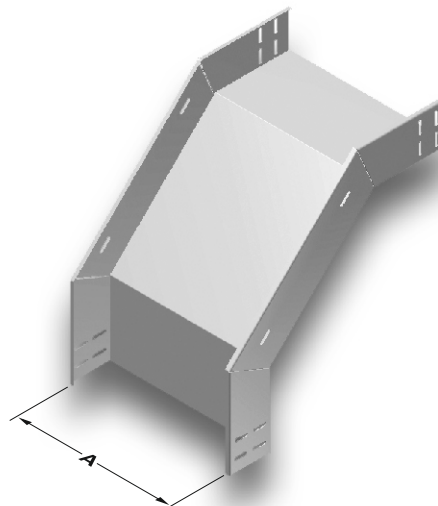
■ Please indicate order code in your orders.

■ Material weights may vary by ± 10%

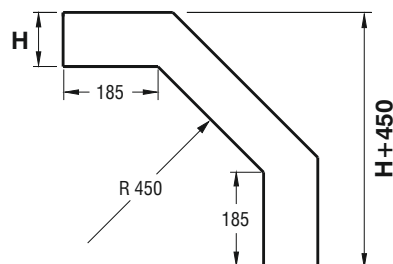
■ Please contact us for special size.

▶▶ CTA CONVEX MODULE (90°) R=450 Hot Dip Galvanized After Fabrication (TS EN ISO 1461)

Description	H (mm)	A (mm)	T (mm)	Weight (kg./pc)	Order Code
040 CTA 050 DD	40	50	2	2,311	3003046
040 CTA 100 DD	40	100	2	2,954	3003047
040 CTA 150 DD	40	150	2	3,582	3003048
040 CTA 200 DD	40	200	2	4,222	3003049
040 CTA 250 DD	40	250	2	4,852	3003050
040 CTA 300 DD	40	300	2	5,498	3003051
040 CTA 400 DD	40	400	2	6,769	3003052
040 CTA 500 DD	40	500	2	8,043	3003053
040 CTA 600 DD	40	600	2	9,312	3003054
050 CTA 050 DD	50	50	2	2,416	3003055
050 CTA 100 DD	50	100	2	3,191	3003056
050 CTA 150 DD	50	150	2	3,768	3003057
050 CTA 200 DD	50	200	2	4,457	3003058
050 CTA 250 DD	50	250	2	5,085	3003059
050 CTA 300 DD	50	300	2	5,723	3003060
050 CTA 400 DD	50	400	2	6,974	3003061
050 CTA 500 DD	50	500	2	8,248	3003062
050 CTA 600 DD	50	600	2	9,513	3003063
060 CTA 100 DD	60	100	2	3,495	3003064
060 CTA 150 DD	60	150	2	4,105	3003065
060 CTA 200 DD	60	200	2	4,744	3003066
060 CTA 250 DD	60	250	2	5,368	3003067
060 CTA 300 DD	60	300	2	5,999	3003068
060 CTA 400 DD	60	400	2	7,262	3003069
060 CTA 500 DD	60	500	2	8,532	3003070
060 CTA 600 DD	60	600	2	9,787	3003071
075 CTA 100 DD	75	100	2	3,934	3003072
075 CTA 150 DD	75	150	2	4,545	3003073
075 CTA 200 DD	75	200	2	5,171	3003074
075 CTA 250 DD	75	250	2	5,806	3003075
075 CTA 300 DD	75	300	2	6,442	3003076
075 CTA 400 DD	75	400	2	7,690	3003077
075 CTA 500 DD	75	500	2	8,954	3003078
075 CTA 600 DD	75	600	2	10,292	3003079
100 CTA 100 DD	100	100	2	4,678	3003080
100 CTA 150 DD	100	150	2	5,310	3003081
100 CTA 200 DD	100	200	2	5,929	3003082
100 CTA 250 DD	100	250	2	6,560	3003083
100 CTA 300 DD	100	300	2	7,184	3003084
100 CTA 400 DD	100	400	2	8,451	3003085
100 CTA 500 DD	100	500	2	9,715	3003086
100 CTA 600 DD	100	600	2	11,046	3003087



DD



Description	H (mm)	A (mm)	T (mm)	Weight (kg./pc)	Order Code
125 CTA 150 DD	125	150	2	6,113	3003672
125 CTA 200 DD	125	200	2	6,677	3003673
125 CTA 250 DD	125	250	2	7,535	3003674
125 CTA 300 DD	125	300	2	8,033	3003675
125 CTA 400 DD	125	400	2	9,313	3003676
125 CTA 500 DD	125	500	2	10,593	3003677
125 CTA 600 DD	125	600	2	11,873	3003678
150 CTA 200 DD	150	200	2	6,983	3003679
150 CTA 250 DD	150	250	2	8,242	3003680
150 CTA 300 DD	150	300	2	8,883	3003681
150 CTA 400 DD	150	400	2	10,163	3003682
150 CTA 500 DD	150	500	2	11,442	3003683
150 CTA 600 DD	150	600	2	12,723	3003684

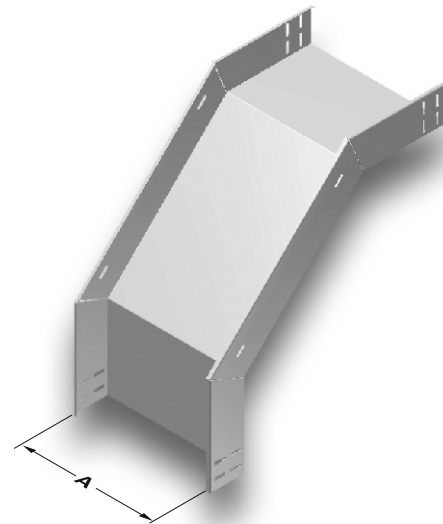
■ Please indicate order code in your orders.

■ Material weights may vary by ± 10%

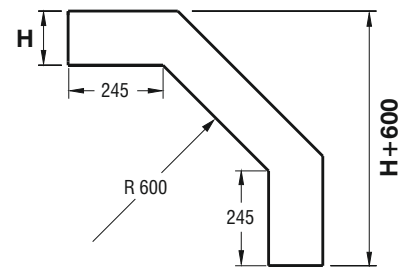
■ Please contact us for special size.

▶▶ CTA CONVEX MODULE (90°) R=600 Hot Dip Galvanized After Fabrication (TS EN ISO 1461)

Description	H (mm)	A (mm)	T (mm)	Weight (kg./pc)	Order Code
040 CTA 050 DD	40	50	2	3,039	3003088
040 CTA 100 DD	40	100	2	3,875	3003089
040 CTA 150 DD	40	150	2	4,719	3003090
040 CTA 200 DD	40	200	2	5,556	3003091
040 CTA 250 DD	40	250	2	6,403	3003092
040 CTA 300 DD	40	300	2	7,245	3003093
040 CTA 400 DD	40	400	2	8,923	3003094
040 CTA 500 DD	40	500	2	10,607	3003095
040 CTA 600 DD	40	600	2	12,296	3003096
050 CTA 050 DD	50	50	2	3,402	3003097
050 CTA 100 DD	50	100	2	4,249	3003098
050 CTA 150 DD	50	150	2	5,088	3003099
050 CTA 200 DD	50	200	2	5,935	3003100
050 CTA 250 DD	50	250	2	6,767	3003101
050 CTA 300 DD	50	300	2	7,613	3003102
050 CTA 400 DD	50	400	2	9,297	3003103
050 CTA 500 DD	50	500	2	10,986	3003104
050 CTA 600 DD	50	600	2	12,661	3003105
060 CTA 100 DD	60	100	2	4,616	3003106
060 CTA 150 DD	60	150	2	5,456	3003107
060 CTA 200 DD	60	200	2	6,293	3003108
060 CTA 250 DD	60	250	2	7,146	3003109
060 CTA 300 DD	60	300	2	7,978	3003110
060 CTA 400 DD	60	400	2	9,662	3003111
060 CTA 500 DD	60	500	2	11,343	3003112
060 CTA 600 DD	60	600	2	13,030	3003113
075 CTA 100 DD	75	100	2	5,172	3003114
075 CTA 150 DD	75	150	2	6,008	3003115
075 CTA 200 DD	75	200	2	6,853	3003116
075 CTA 250 DD	75	250	2	7,689	3003117
075 CTA 300 DD	75	300	2	8,538	3003118
075 CTA 400 DD	75	400	2	10,228	3003119
075 CTA 500 DD	75	500	2	11,903	3003120
075 CTA 600 DD	75	600	2	13,588	3003121
100 CTA 100 DD	100	100	2	6,145	3003122
100 CTA 150 DD	100	150	2	6,966	3003123
100 CTA 200 DD	100	200	2	7,823	3003124
100 CTA 250 DD	100	250	2	8,667	3003125
100 CTA 300 DD	100	300	2	9,510	3003126
100 CTA 400 DD	100	400	2	11,189	3003127
100 CTA 500 DD	100	500	2	12,872	3003128
100 CTA 600 DD	100	600	2	14,560	3003129



DD



Description	H (mm)	A (mm)	T (mm)	Weight (kg./pc)	Order Code
125 CTA 150 DD	125	150	2	7,382	3003685
125 CTA 200 DD	125	200	2	8,022	3003686
125 CTA 250 DD	125	250	2	9,732	3003687
125 CTA 300 DD	125	300	2	10,586	3003688
125 CTA 400 DD	125	400	2	12,296	3003689
125 CTA 500 DD	125	500	2	14,005	3003690
125 CTA 600 DD	125	600	2	15,714	3003691
150 CTA 200 DD	150	200	2	9,941	3003692
150 CTA 250 DD	150	250	2	10,795	3003693
150 CTA 300 DD	150	300	2	11,650	3003694
150 CTA 400 DD	150	400	2	13,360	3003695
150 CTA 500 DD	150	500	2	15,069	3003696
150 CTA 600 DD	150	600	2	16,778	3003697

■ Please indicate order code in your orders.

■ Material weights may vary by ± 10%

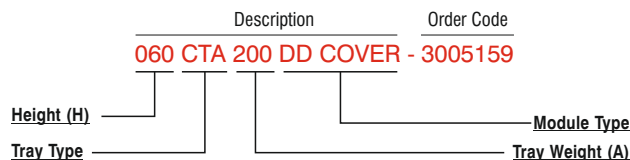
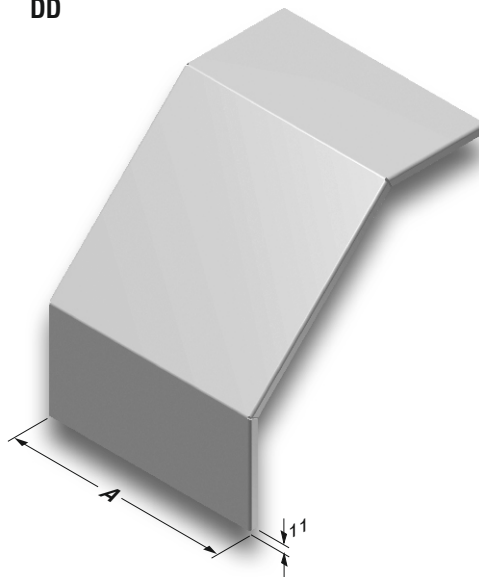
■ Please contact us for special size.

▶▶ CTA CONVEX MODULE COVER R=300

Hot Dip Galvanized After Fabrication (TS EN ISO 1461)

Description	A (mm)	T (mm)	Weight (kg./pc)	Order Code
040 CTA 050 DD COVER	50	2	0,696	3005139
040 CTA 100 DD COVER	100	2	1,179	3005140
040 CTA 150 DD COVER	150	2	1,663	3005141
040 CTA 200 DD COVER	200	2	2,146	3005142
040 CTA 250 DD COVER	250	2	2,629	3005143
040 CTA 300 DD COVER	300	2	3,113	3005144
040 CTA 400 DD COVER	400	2	4,079	3005145
040 CTA 500 DD COVER	500	2	5,046	3005146
040 CTA 600 DD COVER	600	2	6,013	3005147
050 CTA 050 DD COVER	50	2	0,717	3005148
050 CTA 100 DD COVER	100	2	1,214	3005149
050 CTA 150 DD COVER	150	2	1,712	3005150
050 CTA 200 DD COVER	200	2	2,210	3005151
050 CTA 250 DD COVER	250	2	2,707	3005152
050 CTA 300 DD COVER	300	2	3,205	3005153
050 CTA 400 DD COVER	400	2	4,200	3005154
050 CTA 500 DD COVER	500	2	5,195	3005155
050 CTA 600 DD COVER	600	2	6,190	3005156
060 CTA 100 DD COVER	100	2	1,249	3005157
060 CTA 150 DD COVER	150	2	1,761	3005158
060 CTA 200 DD COVER	200	2	2,273	3005159
060 CTA 250 DD COVER	250	2	2,785	3005160
060 CTA 300 DD COVER	300	2	3,297	3005161
060 CTA 400 DD COVER	400	2	4,321	3005162
060 CTA 500 DD COVER	500	2	5,345	3005163
060 CTA 600 DD COVER	600	2	6,368	3005164
075 CTA 100 DD COVER	100	2	1,301	3005165
075 CTA 150 DD COVER	150	2	1,835	3005166
075 CTA 200 DD COVER	200	2	2,368	3005167
075 CTA 250 DD COVER	250	2	2,902	3005168
075 CTA 300 DD COVER	300	2	3,435	3005169
075 CTA 400 DD COVER	400	2	4,502	3005170
075 CTA 500 DD COVER	500	2	5,568	3005171
075 CTA 600 DD COVER	600	2	6,635	3005172
100 CTA 100 DD COVER	100	2	1,389	3005173
100 CTA 150 DD COVER	150	2	1,958	3005174
100 CTA 200 DD COVER	200	2	2,527	3005175
100 CTA 250 DD COVER	250	2	3,096	3005176
100 CTA 300 DD COVER	300	2	3,665	3005177
100 CTA 400 DD COVER	400	2	4,803	3005178
100 CTA 500 DD COVER	500	2	5,942	3005179
100 CTA 600 DD COVER	600	2	7,080	3005180

DD



Description	A (mm)	T (mm)	Weight (kg./pc)	Order Code
125 CTA 150 DD COVER	150	2	2,081	3005181
125 CTA 200 DD COVER	200	2	2,686	3005182
125 CTA 250 DD COVER	250	2	3,291	3005183
125 CTA 300 DD COVER	300	2	3,895	3005184
125 CTA 400 DD COVER	400	2	5,105	3005185
125 CTA 500 DD COVER	500	2	6,315	3005186
125 CTA 600 DD COVER	600	2	7,525	3005187
150 CTA 200 DD COVER	200	2	2,844	3005188
150 CTA 250 DD COVER	250	2	3,485	3005189
150 CTA 300 DD COVER	300	2	4,126	3005190
150 CTA 400 DD COVER	400	2	5,407	3005191
150 CTA 500 DD COVER	500	2	6,688	3005192
150 CTA 600 DD COVER	600	2	7,969	3005193

■ Please indicate order code in your orders.

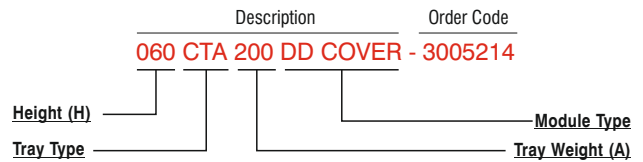
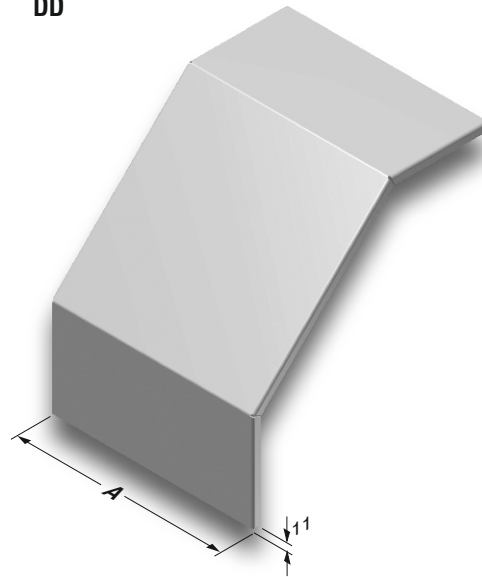
■ Material weights may vary by ± 10%

■ Please contact us for special size.

▶▶ CTA CONVEX MODULE COVER R=450 Hot Dip Galvanized After Fabrication (TS EN ISO 1461)

Description	A (mm)	T (mm)	Weight (kg./pc)	Order Code
040 CTA 050 DD COVER	50	2	1,005	3005194
040 CTA 100 DD COVER	100	2	1,703	3005195
040 CTA 150 DD COVER	150	2	2,400	3005196
040 CTA 200 DD COVER	200	2	3,098	3005197
040 CTA 250 DD COVER	250	2	3,796	3005198
040 CTA 300 DD COVER	300	2	4,494	3005199
040 CTA 400 DD COVER	400	2	5,890	3005200
040 CTA 500 DD COVER	500	2	7,285	3005201
040 CTA 600 DD COVER	600	2	8,681	3005202
050 CTA 050 DD COVER	50	2	1,025	3005203
050 CTA 100 DD COVER	100	2	1,738	3005204
050 CTA 150 DD COVER	150	2	2,450	3005205
050 CTA 200 DD COVER	200	2	3,162	3005206
050 CTA 250 DD COVER	250	2	3,874	3005207
050 CTA 300 DD COVER	300	2	4,586	3005208
050 CTA 400 DD COVER	400	2	6,010	3005209
050 CTA 500 DD COVER	500	2	7,435	3005210
050 CTA 600 DD COVER	600	2	8,859	3005211
060 CTA 100 DD COVER	100	2	1,772	3005212
060 CTA 150 DD COVER	150	2	2,499	3005213
060 CTA 200 DD COVER	200	2	3,225	3005214
060 CTA 250 DD COVER	250	2	3,952	3005215
060 CTA 300 DD COVER	300	2	4,678	3005216
060 CTA 400 DD COVER	400	2	6,131	3005217
060 CTA 500 DD COVER	500	2	7,584	3005218
060 CTA 600 DD COVER	600	2	9,037	3005219
075 CTA 100 DD COVER	100	2	1,825	3005220
075 CTA 150 DD COVER	150	2	2,573	3005221
075 CTA 200 DD COVER	200	2	3,321	3005222
075 CTA 250 DD COVER	250	2	4,068	3005223
075 CTA 300 DD COVER	300	2	4,816	3005224
075 CTA 400 DD COVER	400	2	6,312	3005225
075 CTA 500 DD COVER	500	2	7,808	3005226
075 CTA 600 DD COVER	600	2	9,303	3005227
100 CTA 100 DD COVER	100	2	1,912	3005228
100 CTA 150 DD COVER	150	2	2,696	3005229
100 CTA 200 DD COVER	200	2	3,479	3005230
100 CTA 250 DD COVER	250	2	4,263	3005231
100 CTA 300 DD COVER	300	2	5,046	3005232
100 CTA 400 DD COVER	400	2	6,614	3005233
100 CTA 500 DD COVER	500	2	8,181	3005234
100 CTA 600 DD COVER	600	2	9,748	3005235

DD



Description	A (mm)	T (mm)	Weight (kg./pc)	Order Code
125 CTA 150 DD COVER	150	2	2,819	3005236
125 CTA 200 DD COVER	200	2	3,638	3005237
125 CTA 250 DD COVER	250	2	4,457	3005238
125 CTA 300 DD COVER	300	2	5,277	3005239
125 CTA 400 DD COVER	400	2	6,915	3005240
125 CTA 500 DD COVER	500	2	8,554	3005241
125 CTA 600 DD COVER	600	2	10,193	3005242
150 CTA 200 DD COVER	200	2	3,797	3005243
150 CTA 250 DD COVER	250	2	4,652	3005244
150 CTA 300 DD COVER	300	2	5,507	3005245
150 CTA 400 DD COVER	400	2	7,217	3005246
150 CTA 500 DD COVER	500	2	8,927	3005247
150 CTA 600 DD COVER	600	2	10,638	3005248

■ Please indicate order code in your orders.

■ Material weights may vary by ± 10%

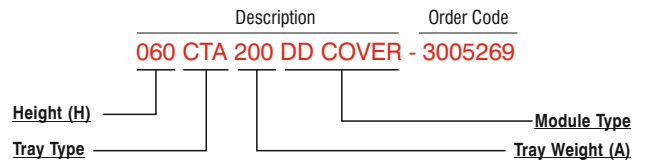
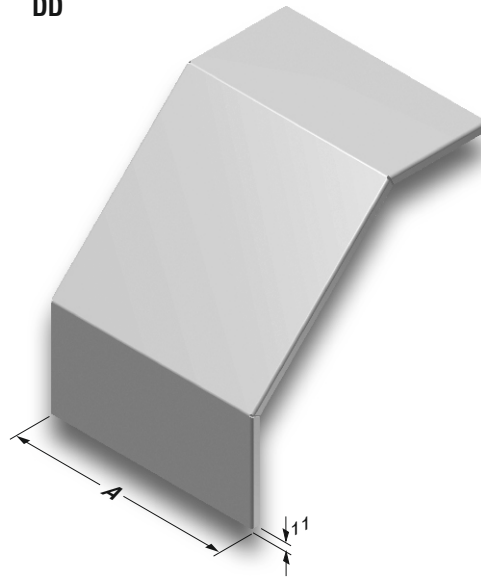
■ Please contact us for special size.

▶▶ CTA CONVEX MODULE COVER R=600

Hot Dip Galvanized After Fabrication (TS EN ISO 1461)

Description	A (mm)	T (mm)	Weight (kg./pc)	Order Code
040 CTA 050 DD COVER	50	2	1,314	3005249
040 CTA 100 DD COVER	100	2	2,226	3005250
040 CTA 150 DD COVER	150	2	3,138	3005251
040 CTA 200 DD COVER	200	2	4,051	3005252
040 CTA 250 DD COVER	250	2	4,963	3005253
040 CTA 300 DD COVER	300	2	5,875	3005254
040 CTA 400 DD COVER	400	2	7,700	3005255
040 CTA 500 DD COVER	500	2	9,525	3005256
040 CTA 600 DD COVER	600	2	11,349	3005257
050 CTA 050 DD COVER	50	2	1,334	3005258
050 CTA 100 DD COVER	100	2	2,261	3005259
050 CTA 150 DD COVER	150	2	3,188	3005260
050 CTA 200 DD COVER	200	2	4,114	3005261
050 CTA 250 DD COVER	250	2	5,041	3005262
050 CTA 300 DD COVER	300	2	5,967	3005263
050 CTA 400 DD COVER	400	2	7,821	3005264
050 CTA 500 DD COVER	500	2	9,674	3005265
050 CTA 600 DD COVER	600	2	11,527	3005266
060 CTA 100 DD COVER	100	2	2,296	3005267
060 CTA 150 DD COVER	150	2	3,237	3005268
060 CTA 200 DD COVER	200	2	4,178	3005269
060 CTA 250 DD COVER	250	2	5,119	3005270
060 CTA 300 DD COVER	300	2	6,059	3005271
060 CTA 400 DD COVER	400	2	7,941	3005272
060 CTA 500 DD COVER	500	2	9,823	3005273
060 CTA 600 DD COVER	600	2	11,705	3005274
075 CTA 100 DD COVER	100	2	2,348	3005275
075 CTA 150 DD COVER	150	2	3,311	3005276
075 CTA 200 DD COVER	200	2	4,273	3005277
075 CTA 250 DD COVER	250	2	5,235	3005278
075 CTA 300 DD COVER	300	2	6,198	3005279
075 CTA 400 DD COVER	400	2	8,122	3005280
075 CTA 500 DD COVER	500	2	10,047	3005281
075 CTA 600 DD COVER	600	2	11,972	3005282
100 CTA 100 DD COVER	100	2	2,435	3005283
100 CTA 150 DD COVER	150	2	3,433	3005284
100 CTA 200 DD COVER	200	2	4,432	3005285
100 CTA 250 DD COVER	250	2	5,430	3005286
100 CTA 300 DD COVER	300	2	6,428	3005287
100 CTA 400 DD COVER	400	2	8,424	3005288
100 CTA 500 DD COVER	500	2	10,420	3005289
100 CTA 600 DD COVER	600	2	12,416	3005290

DD



Description	A (mm)	T (mm)	Weight (kg./pc)	Order Code
125 CTA 150 DD COVER	150	2	3,556	3005291
125 CTA 200 DD COVER	200	2	4,590	3005292
125 CTA 250 DD COVER	250	2	5,624	3005293
125 CTA 300 DD COVER	300	2	6,658	3005294
125 CTA 400 DD COVER	400	2	8,726	3005295
125 CTA 500 DD COVER	500	2	10,793	3005296
125 CTA 600 DD COVER	600	2	12,861	3005297
150 CTA 200 DD COVER	200	2	4,749	3005298
150 CTA 250 DD COVER	250	2	5,819	3005299
150 CTA 300 DD COVER	300	2	6,888	3005300
150 CTA 400 DD COVER	400	2	9,027	3005301
150 CTA 500 DD COVER	500	2	11,167	3005302
150 CTA 600 DD COVER	600	2	13,306	3005303

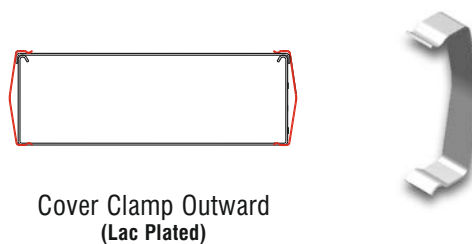
■ Please indicate order code in your orders.

■ Material weights may vary by ± 10%

■ Please contact us for special size.

▶▶ CT CABLE TRAY COVER CLAMPS

Description	Weight (kg./pc)	Order Code
040 COVER CLAMP (OUTER)	0,010	1004254
050 COVER CLAMP (OUTER)	0,013	1004184
060 COVER CLAMP (OUTER)	0,015	1004253
075 COVER CLAMP (OUTER)	0,019	1004183
100 COVER CLAMP (OUTER)	0,026	1004182
125 COVER CLAMP (OUTER)	0,035	1004180
150 COVER CLAMP (OUTER)	0,042	1004181



▶▶ CABLE TRAY JOINT BOLT SET

Description	Weight (kg./set)	Order Code
JOINT BOLT SET M6	0,009	1004314

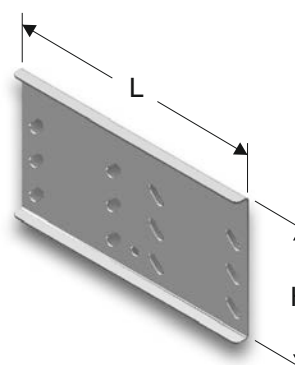


- Includes: 1 bolt set 1 unit M6x12 dished head bolt + 1 unit M6 flanged bolt nut. Standard Lac Plated.

▶▶ CT JOINT FITTING

Hot Dip Galvanized (TS EN ISO 1461)

Description	H (mm)	L (mm)	T (mm)	Weight (kg./pc)	Order Code
40 CT JOINT FITTING	40	210	2	0,212	3006945
50 CT JOINT FITTING	50	210	2	0,244	3006943
60 CT JOINT FITTING	60	210	2	0,284	3006941
75 CT JOINT FITTING	75	210	2	0,331	3006939
100 CT JOINT FITTING	100	210	2	0,412	3006937
125 CT JOINT FITTING	125	192	2	0,496	3003311
150 CT JOINT FITTING	150	210	2	0,579	3003312
40 CTH JOINT FITTING	40	200	1,5	0,163	3006167
50 CTH JOINT FITTING	50	200	1,5	0,188	3006165
60 CTH JOINT FITTING	60	200	1,5	0,217	3006163

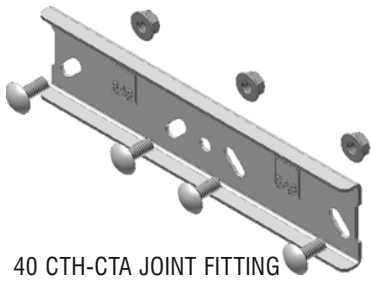


Joint Fitting Outward

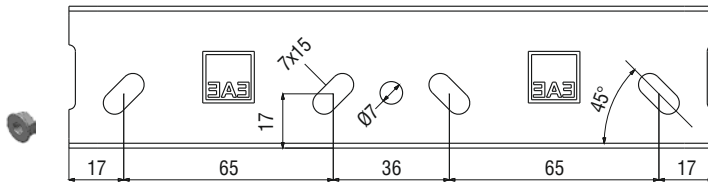
See next page for technical drawings.

- Please contact us for special size.
- Please indicate order code in your orders.

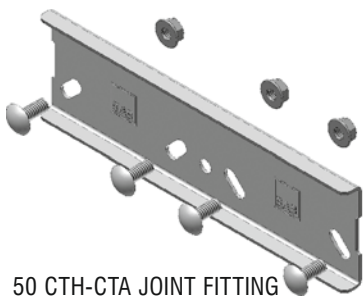
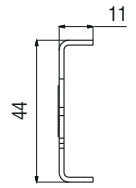
- Recommended spacing for outward clamps is 2 metres
- Material weights may vary by $\pm 10\%$



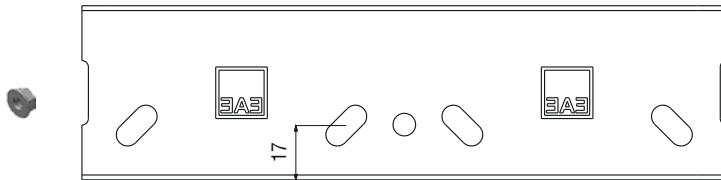
40 CTH-CTA JOINT FITTING



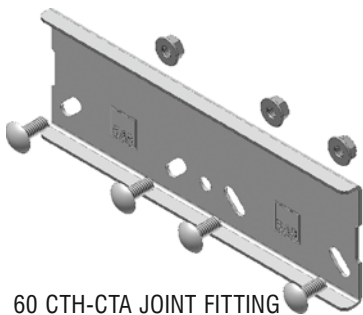
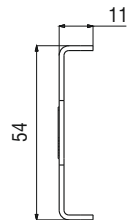
For H=40 joint; 4 M6x12 bolts and 4 M6 nuts should be used.



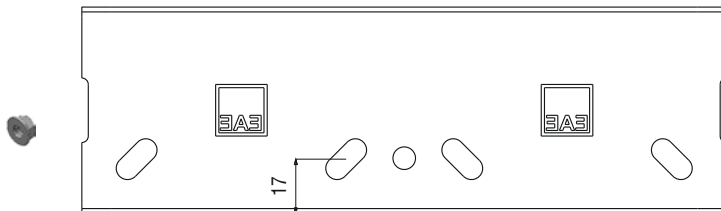
50 CTH-CTA JOINT FITTING



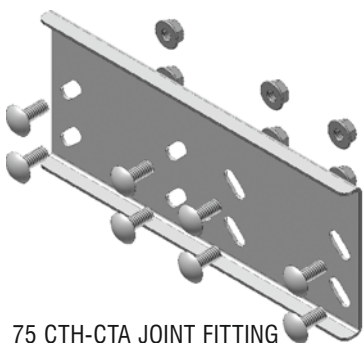
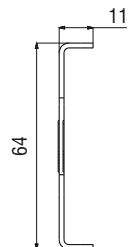
For H=50 joint; 4 M6x12 bolts and 4 M6 nuts should be used.



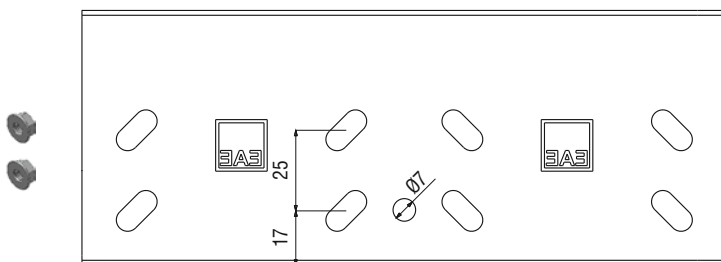
60 CTH-CTA JOINT FITTING



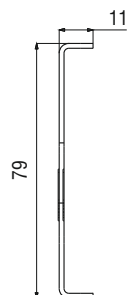
For H=60 joint; 4 M6x12 bolts and 4 M6 nuts should be used.

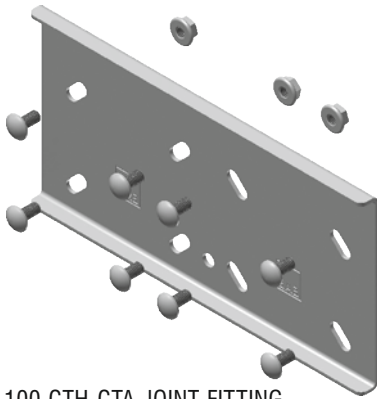


75 CTH-CTA JOINT FITTING

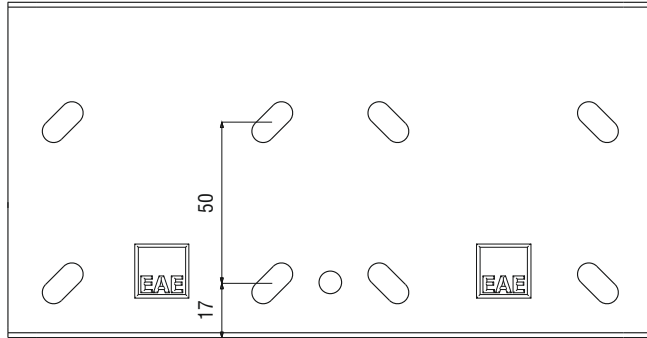


For H=75 joint; 8 M6x12 bolts and 8 M6 nuts should be used.

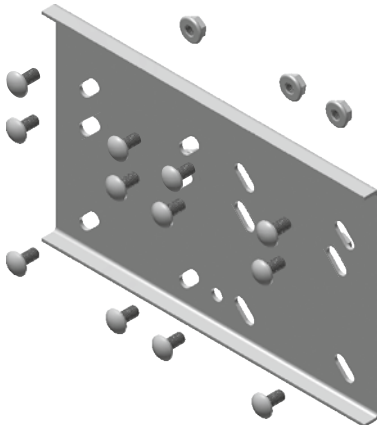
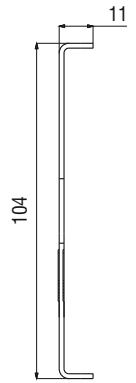




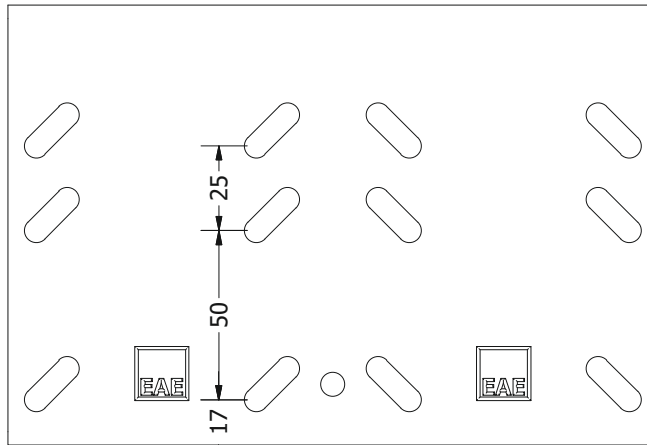
100 CTH-CTA JOINT FITTING



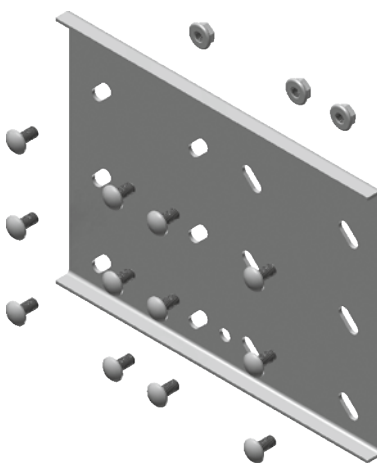
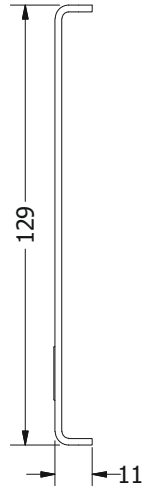
For H=100 joint; 8 M6x12 bolts and 8 M6 nuts should be used.



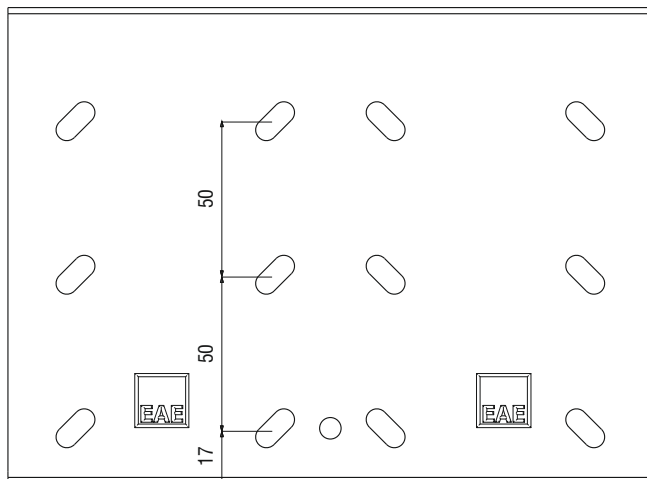
125 CTH-CTA JOINT FITTING



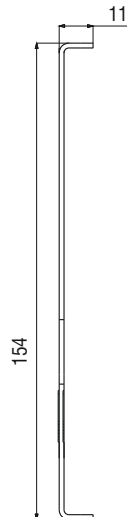
For H=125 joint; 12 M6x12 bolts and 12 M6 nuts should be used.



150 CTH-CTA JOINT FITTING



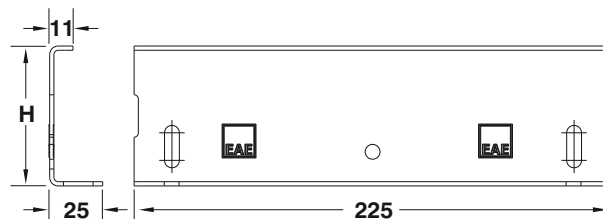
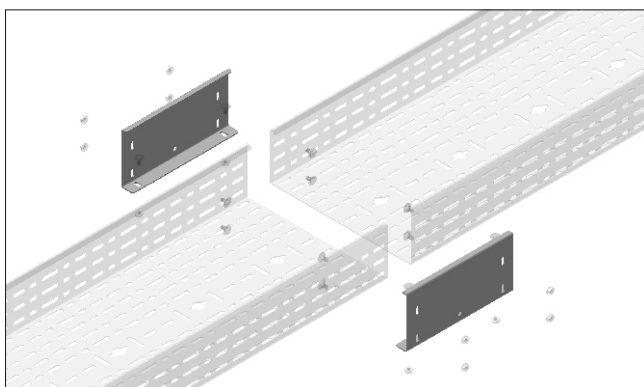
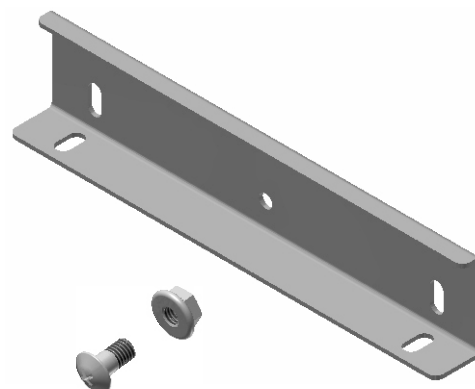
For H=150 joint; 12 M6x12 bolts and 12 M6 nuts should be used.



►► CT EXPANSION SET

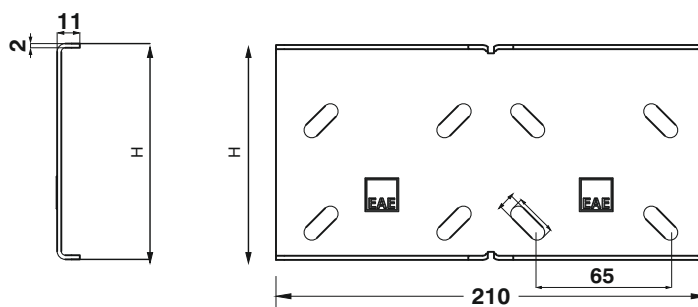
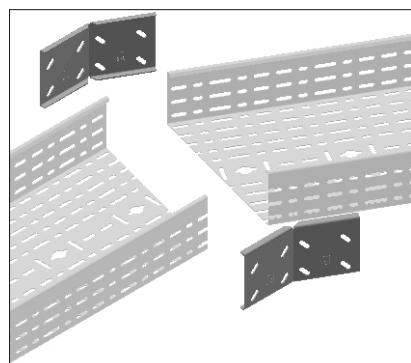
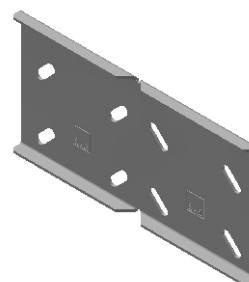
Hot Dip Galvanized After Fabrication (TS EN ISO 1461)

Description	Joining Ladder Thickness (mm)	H (mm)	T (mm)	Weight (kg./set.)	Order Code
40 CT EXPANSION SET	1 - 1,2	40	2	0,622	3006612
40 CT EXPANSION SET	1,5 - 2	40	2	0,622	3006615
50 CT EXPANSION SET	1 - 1,2	50	2	0,698	3006613
50 CT EXPANSION SET	1,5 - 2	50	2	0,698	3006616
60 CT EXPANSION SET	1 - 1,2	60	2	0,777	3006614
60 CT EXPANSION SET	1,5 - 2	60	2	0,777	3006617
75 CT EXPANSION SET	1,5 - 2	75	2	0,905	3006618
100 CT EXPANSION SET	1,5 - 2	100	2	1,098	3006619
125 CT EXPANSION SET	1,5 - 2	125	2	1,304	3006620
150 CT EXPANSION SET	1,5 - 2	150	2	1,510	3006621



►► CT NOTCHED JOINT FITTING

Description	H (mm)	Weight (kg./set.)	Order Code
040 CTA HINGED JOINT FITTING	40	0,205	3187841
050 CTA HINGED JOINT FITTING	40	0,241	3187842
060 CTA HINGED JOINT FITTING	50	0,278	3187843
075 CTA HINGED JOINT FITTING	50	0,322	3187844
100 CTA HINGED JOINT FITTING	60	0,413	3187845
125 CTA HINGED JOINT FITTING	60	0,484	3187846
150 CTA HINGED JOINT FITTING	75	0,584	3187847



■ The expansion set allows 35mm expansion.

■ In an expansion set of 40-50-60-75-100 sizes, 2 pieces of expansion joint fitting and 8 pieces of special bolts and nuts are used.

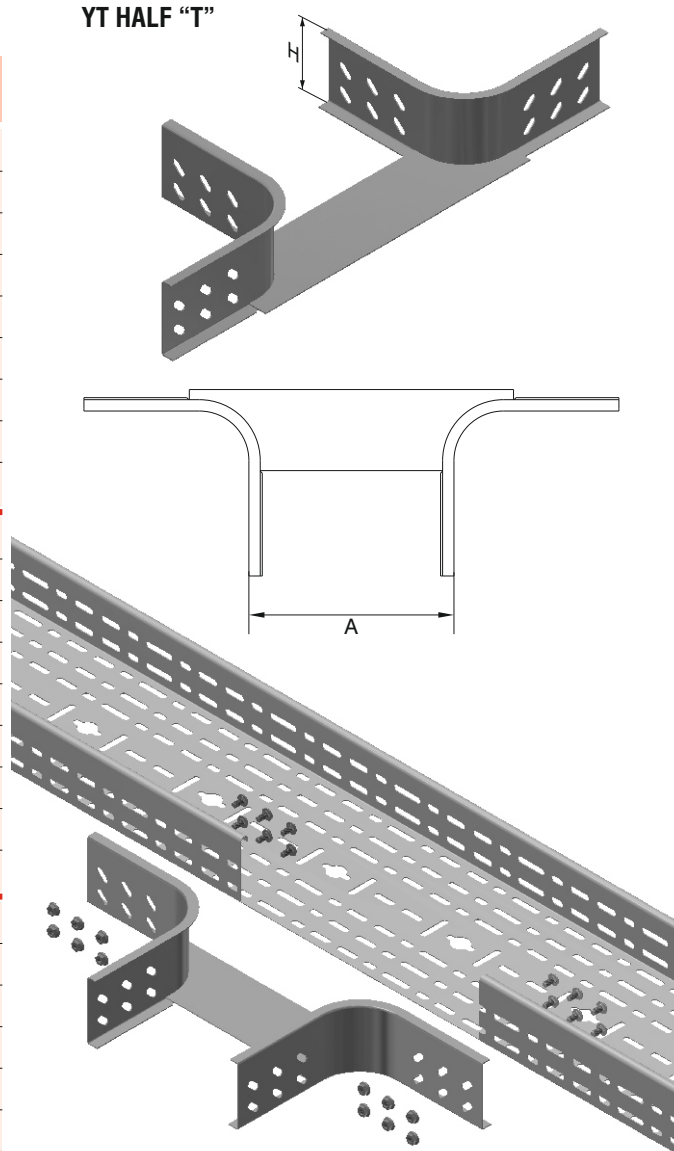
In an expansion set of 125-150 sizes, 2 pieces of expansion attachment and 12 pieces of special type bolts and nuts are used.

▶▶ CTE HALF "T" MODULE

Hot Dip Galvanized After Fabrication (TS EN ISO 1461)

Description	H (mm)	A (mm)	T (mm)	Weight (kg./set.)	Order Code
40 CTE 50 HALF "T" MODULE	40	50	1,2	0,492	3086483
40 CTE 100 HALF "T" MODULE	40	100	1,2	0,534	3086484
40 CTE 150 HALF "T" MODULE	40	150	1,2	0,575	3086485
40 CTE 200 HALF "T" MODULE	40	200	1,2	0,616	3086486
40 CTE 250 HALF "T" MODULE	40	250	1,2	0,658	3086487
40 CTE 300 HALF "T" MODULE	40	300	1,2	0,700	3086488
40 CTE 400 HALF "T" MODULE	40	400	1,2	0,782	3086489
40 CTE 500 HALF "T" MODULE	40	500	1,2	0,865	3086490
40 CTE 600 HALF "T" MODULE	40	600	1,2	0,948	3086491
50 CTE 50 HALF "T" MODULE	50	50	1,2	0,556	3086492
50 CTE 100 HALF "T" MODULE	50	100	1,2	0,597	3086493
50 CTE 150 HALF "T" MODULE	50	150	1,2	0,638	3086494
50 CTE 200 HALF "T" MODULE	50	200	1,2	0,680	3086495
50 CTE 250 HALF "T" MODULE	50	250	1,2	0,722	3086496
50 CTE 300 HALF "T" MODULE	50	300	1,2	0,762	3086497
50 CTE 400 HALF "T" MODULE	50	400	1,2	0,846	3086498
50 CTE 500 HALF "T" MODULE	50	500	1,2	0,928	3086499
50 CTE 600 HALF "T" MODULE	50	600	1,2	1,011	3086500
60 CTE 100 HALF "T" MODULE	60	100	1,2	0,635	3086501
60 CTE 150 HALF "T" MODULE	60	150	1,2	0,675	3086502
60 CTE 200 HALF "T" MODULE	60	200	1,2	0,744	3086503
60 CTE 250 HALF "T" MODULE	60	250	1,2	0,784	3086504
60 CTE 300 HALF "T" MODULE	60	300	1,2	0,826	3086505
60 CTE 400 HALF "T" MODULE	60	400	1,2	0,909	3086506
60 CTE 500 HALF "T" MODULE	60	500	1,2	0,966	3086507
60 CTE 600 HALF "T" MODULE	60	600	1,2	1,075	3086508
75 CTE 100 HALF "T" MODULE	75	100	1,2	0,716	3086509
75 CTE 150 HALF "T" MODULE	75	150	1,2	0,757	3086510
75 CTE 200 HALF "T" MODULE	75	200	1,2	0,799	3086511
75 CTE 250 HALF "T" MODULE	75	250	1,2	0,840	3086512
75 CTE 300 HALF "T" MODULE	75	300	1,2	0,881	3086513
75 CTE 400 HALF "T" MODULE	75	400	1,2	0,965	3086514
75 CTE 500 HALF "T" MODULE	75	500	1,2	1,047	3086515
75 CTE 600 HALF "T" MODULE	75	600	1,2	1,131	3086516
100 CTE 100 HALF "T" MODULE	100	100	1,2	0,876	3086517
100 CTE 150 HALF "T" MODULE	100	150	1,2	0,917	3086518
100 CTE 200 HALF "T" MODULE	100	200	1,2	0,959	3086519
100 CTE 250 HALF "T" MODULE	100	250	1,2	1,000	3086520
100 CTE 300 HALF "T" MODULE	100	300	1,2	1,042	3086521
100 CTE 400 HALF "T" MODULE	100	400	1,2	1,124	3086522
100 CTE 500 HALF "T" MODULE	100	500	1,2	1,208	3086523
100 CTE 600 HALF "T" MODULE	100	600	1,2	1,290	3086524

YT HALF "T"



Description	H (mm)	A (mm)	T (mm)	Weight (kg./set.)	Order Code
125 CTE 150 HALF "T" MODULE	125	150	1,2	1,225	3086525
125 CTE 200 HALF "T" MODULE	125	200	1,2	1,267	3086526
125 CTE 250 HALF "T" MODULE	125	250	1,2	1,308	3086527
125 CTE 300 HALF "T" MODULE	125	300	1,2	1,350	3086528
125 CTE 400 HALF "T" MODULE	125	400	1,2	1,432	3086529
125 CTE 500 HALF "T" MODULE	125	500	1,2	1,516	3086530
125 CTE 600 HALF "T" MODULE	125	600	1,2	1,598	3086531
150 CTE 200 HALF "T" MODULE	150	200	1,2	1,438	3086532
150 CTE 250 HALF "T" MODULE	150	250	1,2	1,478	3086533
150 CTE 300 HALF "T" MODULE	150	300	1,2	1,520	3086534
150 CTE 400 HALF "T" MODULE	150	400	1,2	1,603	3086535
150 CTE 500 HALF "T" MODULE	150	500	1,2	1,686	3086536
150 CTE 600 HALF "T" MODULE	150	600	1,2	1,769	3086537

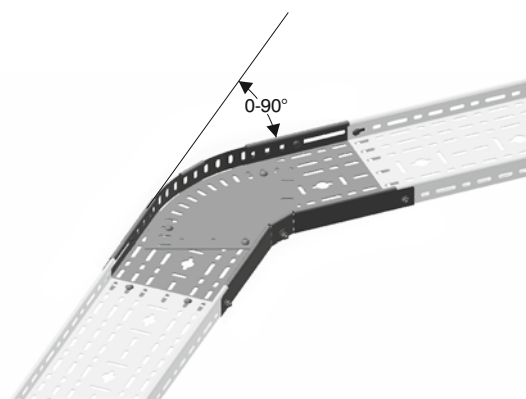
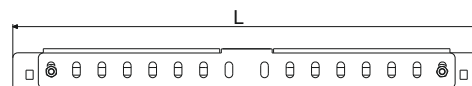
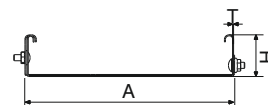
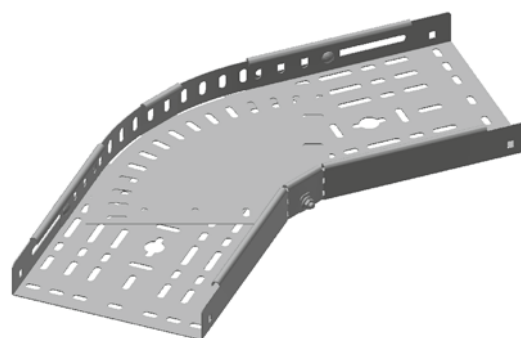
- Please indicate order code in your orders.
- Please contact us for special size.
- Material weights may vary by $\pm 10\%$

▶▶ CT FLEXIBLE ELBOW MODULE

Hot Dip Galvanized After Fabrication (TS EN ISO 1461)



Description	A (mm)	L (mm)	T (mm)	Weight (kg./set.)	M6X12 (set./pc)	Order Code
40 CT 100 FLEXIBLE ELBOW	100	310	1	0,71	4	3134535
40 CT 150 FLEXIBLE ELBOW	150	390	1	1,13	4	3134536
40 CT 200 FLEXIBLE ELBOW	200	460	1	1,53	4	3134540
40 CT 300 FLEXIBLE ELBOW	300	610	1,2	2,92	4	3134541
40 CT 400 FLEXIBLE ELBOW	400	790	1,2	4,71	4	3134542
40 CT 500 FLEXIBLE ELBOW	500	930	1,5	10,19	6	3134543
40 CT 600 FLEXIBLE ELBOW	600	1090	1,5	14,04	6	3134544
50 CT 100 FLEXIBLE ELBOW	100	310	1	0,77	4	3134545
50 CT 150 FLEXIBLE ELBOW	150	390	1	1,20	4	3134546
50 CT 200 FLEXIBLE ELBOW	200	460	1	1,70	4	3134547
50 CT 300 FLEXIBLE ELBOW	300	610	1,2	3,06	4	3134548
50 CT 400 FLEXIBLE ELBOW	400	790	1,2	4,90	4	3134549
50 CT 500 FLEXIBLE ELBOW	500	930	1,5	10,52	6	3134550
50 CT 600 FLEXIBLE ELBOW	600	1090	1,5	14,43	6	3134551
60 CT 100 FLEXIBLE ELBOW	100	310	1	0,84	4	3134552
60 CT 150 FLEXIBLE ELBOW	150	390	1	1,29	4	3134553
60 CT 200 FLEXIBLE ELBOW	200	460	1	1,80	4	3134554
60 CT 300 FLEXIBLE ELBOW	300	610	1,2	3,21	4	3134555
60 CT 400 FLEXIBLE ELBOW	400	790	1,2	5,09	4	3134556
60 CT 500 FLEXIBLE ELBOW	500	930	1,5	10,85	6	3134557
60 CT 600 FLEXIBLE ELBOW	600	1090	1,5	14,82	6	3134558
75 CT 100 FLEXIBLE ELBOW	100	310	1	0,920	4	3134559
75 CT 150 FLEXIBLE ELBOW	150	390	1	1,390	4	3134560
75 CT 200 FLEXIBLE ELBOW	200	460	1	1,940	4	3134561
75 CT 300 FLEXIBLE ELBOW	300	610	1,2	3,420	4	3134562
75 CT 400 FLEXIBLE ELBOW	400	790	1,2	5,360	4	3134563
75 CT 500 FLEXIBLE ELBOW	500	930	1,5	11,330	6	3134564
75 CT 600 FLEXIBLE ELBOW	600	1090	1,5	15,290	6	3134565
100 CT 100 FLEXIBLE ELBOW	100	310	1	1,08	4	3134566
100 CT 150 FLEXIBLE ELBOW	150	390	1	1,59	4	3134567
100 CT 200 FLEXIBLE ELBOW	200	460	1	2,20	4	3134568
100 CT 300 FLEXIBLE ELBOW	300	610	1,2	3,79	4	3134569
100 CT 400 FLEXIBLE ELBOW	400	790	1,2	5,84	4	3134570
100 CT 500 FLEXIBLE ELBOW	500	930	1,5	12,15	6	3134571
100 CT 600 FLEXIBLE ELBOW	600	1090	1,5	16,36	6	3134572



Order information note: H: 3 sets of M6x12 bolts at 40-50-60 heights are shipped in modular form. H: 5 sets of M6x12 bolts at 75-100 heights are shipped in modular form. After setting the angle, the M6x12 bolts that must be used on the base, have to be ordered separately, at the number as indicated on the table above.

■ Please indicate order code in your orders.

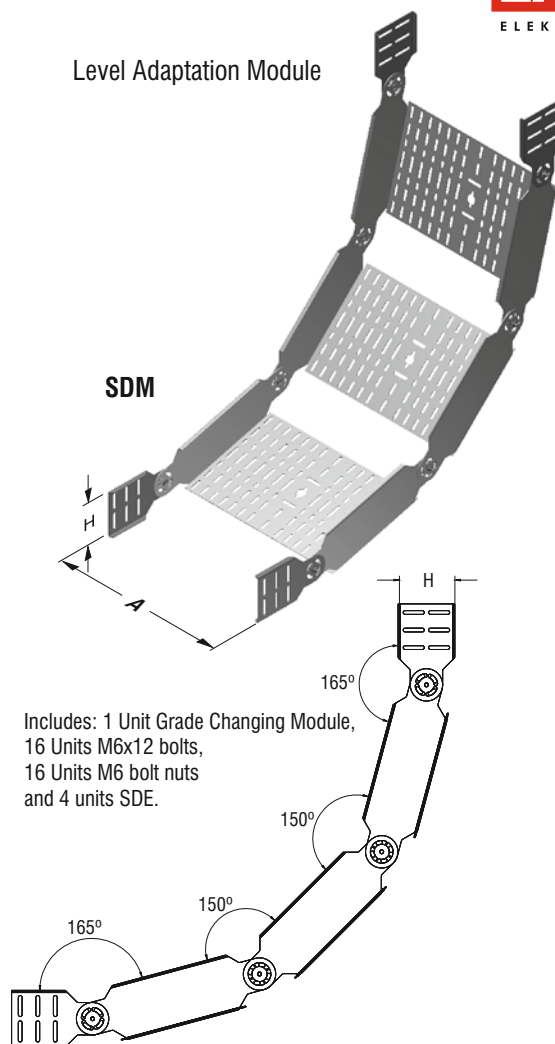
■ Material weights may vary by ± 10%

▶▶ CT LEVEL ADAPTATION MODULE

Hot Dip Galvanized After Fabrication (TS EN ISO 1461)

Description	H (mm)	A (mm)	T (mm)	Weight (kg./set.)	Order Code
040 CT 050 SDM	40	50	2	3,023	3005390
040 CT 100 SDM	40	100	2	3,534	3005388
040 CT 150 SDM	40	150	2	4,046	3005386
040 CT 200 SDM	40	200	2	4,557	3005384
040 CT 250 SDM	40	250	2	5,069	3005382
040 CT 300 SDM	40	300	2	5,577	3005380
040 CT 400 SDM	40	400	2	6,600	3005378
040 CT 500 SDM	40	500	2	7,623	3005376
040 CT 600 SDM	40	600	2	8,646	3005374
<hr/>					
050 CT 050 SDM	50	50	2	3,366	3001193
050 CT 100 SDM	50	100	2	3,878	3006707
050 CT 150 SDM	50	150	2	4,389	3006705
050 CT 200 SDM	50	200	2	4,901	3006703
050 CT 250 SDM	50	250	2	5,412	3006701
050 CT 300 SDM	50	300	2	5,920	3006699
050 CT 400 SDM	50	400	2	6,943	3006697
050 CT 500 SDM	50	500	2	7,966	3006695
050 CT 600 SDM	50	600	2	8,989	3006693
<hr/>					
060 CT 100 SDM	60	100	2	4,335	3005372
060 CT 150 SDM	60	150	2	4,847	3005370
060 CT 200 SDM	60	200	2	5,358	3005368
060 CT 250 SDM	60	250	2	5,870	3005366
060 CT 300 SDM	60	300	2	6,378	3005364
060 CT 400 SDM	60	400	2	7,401	3005362
060 CT 500 SDM	60	500	2	8,424	3005360
060 CT 600 SDM	60	600	2	9,447	3005358
<hr/>					
075 CT 100 SDM	75	100	2	4,901	3006691
075 CT 150 SDM	75	150	2	5,412	3006689
075 CT 200 SDM	75	200	2	5,924	3006687
075 CT 250 SDM	75	250	2	6,435	3006685
075 CT 300 SDM	75	300	2	6,943	3006683
075 CT 400 SDM	75	400	2	7,966	3006681
075 CT 500 SDM	75	500	2	8,989	3006679
075 CT 600 SDM	75	600	2	10,012	3006677
<hr/>					
100 CT 100 SDM	100	100	2	5,704	3001194
100 CT 150 SDM	100	150	2	6,215	3006675
100 CT 200 SDM	100	200	2	6,727	3006673
100 CT 250 SDM	100	250	2	7,238	3006671
100 CT 300 SDM	100	300	2	7,746	3006669
100 CT 400 SDM	100	400	2	8,769	3006667
100 CT 500 SDM	100	500	2	9,792	3006665
100 CT 600 SDM	100	600	2	10,815	3006663

Level Adaptation Module



Includes: 1 Unit Grade Changing Module,
16 Units M6x12 bolts,
16 Units M6 bolt nuts
and 4 units SDE.

Description	H (mm)	A (mm)	T (mm)	Weight (kg./set.)	Order Code
125 CT 150 SDM	125	150	2	6,821	3003313
125 CT 200 SDM	125	200	2	7,528	3003314
125 CT 250 SDM	125	250	2	8,235	3003315
125 CT 300 SDM	125	300	2	8,942	3003316
125 CT 400 SDM	125	400	2	10,355	3003317
125 CT 500 SDM	125	500	2	11,769	3003318
125 CT 600 SDM	125	600	2	13,182	3003319
<hr/>					
150 CT 200 SDM	150	200	2	7,974	3003320
150 CT 250 SDM	150	250	2	8,722	3003321
150 CT 300 SDM	150	300	2	8,976	3003322
150 CT 400 SDM	150	400	2	10,969	3003323
150 CT 500 SDM	150	500	2	12,465	3003324
150 CT 600 SDM	150	600	2	13,962	3003325

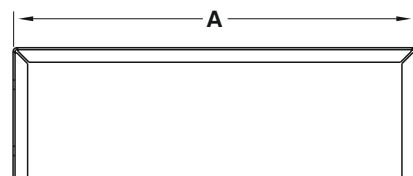
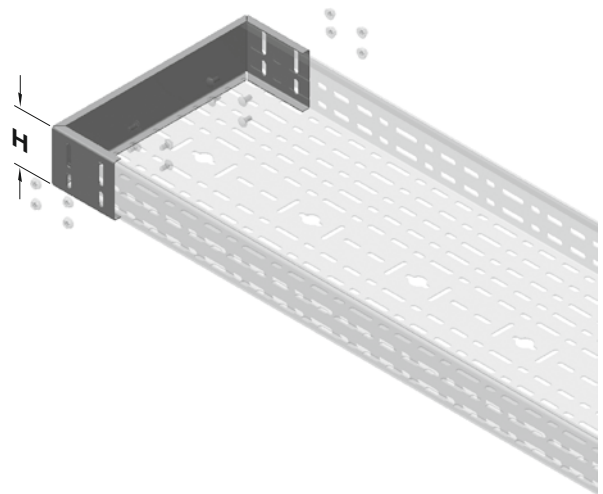
■ Please indicate order code in your orders.

■ Material weights may vary by ± 10%

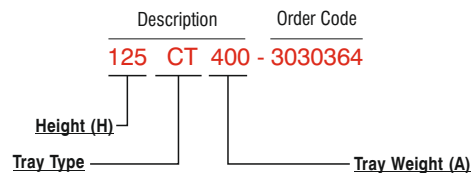
▶▶ CT TERMINATION MODULE

Hot Dip Galvanized After Fabrication (TS EN ISO 1461)

Description	H (mm)	A (mm)	T (mm)	Weight (kg./set.)	Order Code
040 CT 050	40	50	1,5	0,184	3030318
040 CT 100	40	100	1,5	0,223	3030319
040 CT 150	40	150	1,5	0,264	3030320
040 CT 200	40	200	1,5	0,304	3030321
040 CT 250	40	250	1,5	0,344	3030322
040 CT 300	40	300	1,5	0,385	3030323
040 CT 400	40	400	1,5	0,465	3030324
040 CT 500	40	500	1,5	0,546	3030325
040 CT 600	40	600	1,5	0,626	3030326
050 CT 050	50	50	1,5	0,216	3030327
050 CT 100	50	100	1,5	0,263	3030328
050 CT 150	50	150	1,5	0,309	3030329
050 CT 200	50	200	1,5	0,356	3030330
050 CT 250	50	250	1,5	0,403	3030331
050 CT 300	50	300	1,5	0,449	3030332
050 CT 400	50	400	1,5	0,542	3030333
050 CT 500	50	500	1,5	0,636	3030334
050 CT 600	50	600	1,5	0,729	3030335
060 CT 100	60	100	1,5	0,295	3030336
060 CT 150	60	150	1,5	0,348	3030337
060 CT 200	60	200	1,5	0,402	3030338
060 CT 250	60	250	1,5	0,454	3030339
060 CT 300	60	300	1,5	0,507	3030340
060 CT 400	60	400	1,5	0,614	3030341
060 CT 500	60	500	1,5	0,721	3030342
060 CT 600	60	600	1,5	0,826	3030343
075 CT 100	75	100	1,5	0,348	3030344
075 CT 150	75	150	1,5	0,410	3030345
075 CT 200	75	200	1,5	0,474	3030346
075 CT 250	75	250	1,5	0,537	3030347
075 CT 300	75	300	1,5	0,600	3030348
075 CT 400	75	400	1,5	0,725	3030349
075 CT 500	75	500	1,5	0,851	3030350
075 CT 600	75	600	1,5	0,977	3030351
100 CT 100	100	100	1,5	0,444	3030352
100 CT 150	100	150	1,5	0,523	3030353
100 CT 200	100	200	1,5	0,602	3030354
100 CT 250	100	250	1,5	0,681	3030355
100 CT 300	100	300	1,5	0,760	3030356
100 CT 400	100	400	1,5	0,919	3030357
100 CT 500	100	500	1,5	1,077	3030358
100 CT 600	100	600	1,5	1,235	3030359



Sample Order:



Description	H (mm)	A (mm)	T (mm)	Weight (kg./set.)	Order Code
125 CT 150	125	150	1,5	0,635	3030360
125 CT 200	125	200	1,5	0,729	3030361
125 CT 250	125	250	1,5	0,825	3030362
125 CT 300	125	300	1,5	0,921	3030363
125 CT 400	125	400	1,5	1,111	3030364
125 CT 500	125	500	1,5	1,301	3030365
125 CT 600	125	600	1,5	1,492	3030366
150 CT 200	150	200	1,5	0,853	3030367
150 CT 250	150	250	1,5	0,964	3030368
150 CT 300	150	300	1,5	1,075	3030369
150 CT 400	150	400	1,5	1,298	3030370
150 CT 500	150	500	1,5	1,521	3030371
150 CT 600	150	600	1,5	1,744	3030372

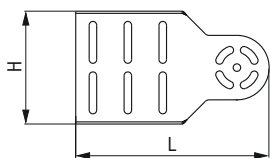
■ Please indicate order code in your orders.

■ Material weights may vary by ± 10%

▶▶ CT LEVEL ADAPTATION JOINT

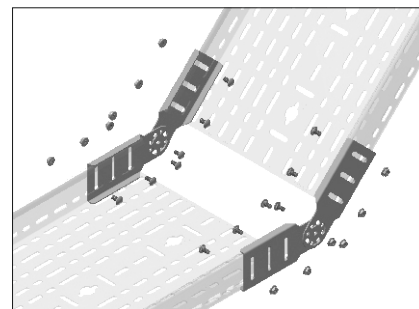
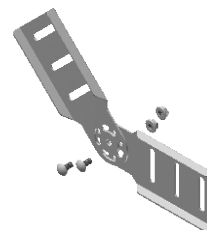
Hot Dip Galvanized After Fabrication (TS EN ISO 1461)

Description	H (mm)	T (mm)	Weight (kg./set)	Order Code
40 CT-SDE	40	2	0,512	3005394
50 CT-SDE	50	2	0,592	3006951
60 CT-SDE	60	2	0,652	3005392
75 CT-SDE	75	2	0,856	3006949
100 CT-SDE	100	2	1,028	3006947
125 CT-SDE	125	2	1,113	3003326
150 CT-SDE	150	2	1,309	3003327



40/50/60 CT-SDE L=160
75/100 CT-SDE L=180

Grade Changing Connector Set

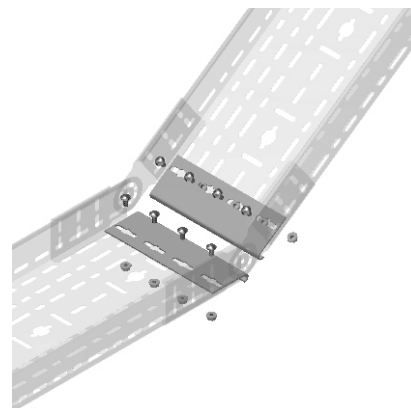
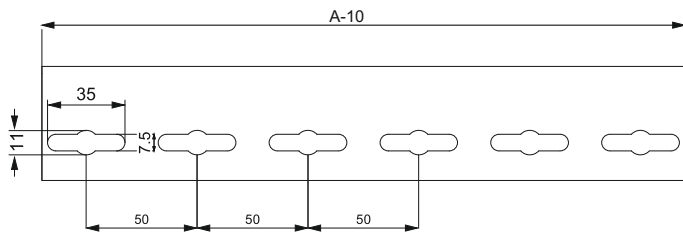
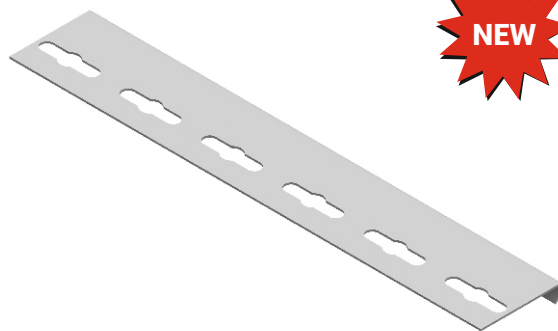


Level adaptation joint set contains right and left vertical adjustable joint units and 4 M6x12 bolt set

▶▶ CT SDE ELBOW PROTECTION PLATE

Hot Dip Galvanized After Fabrication (TS EN ISO 1461)

Description	A (mm)	T (mm)	Weight (kg./pc.)	Order Code
CT SDE ELBOW PROTECTION PLATE 100	100	1,2	0,059	3135694
CT SDE ELBOW PROTECTION PLATE 150	150	1,2	0,091	3135695
CT SDE ELBOW PROTECTION PLATE 200	200	1,2	0,125	3135696
CT SDE ELBOW PROTECTION PLATE 250	250	1,2	0,156	3135697
CT SDE ELBOW PROTECTION PLATE 300	300	1,2	0,190	3135698
CT SDE ELBOW PROTECTION PLATE 400	400	1,2	0,256	3135699
CT SDE ELBOW PROTECTION PLATE 500	500	1,2	0,321	3135700
CT SDE ELBOW PROTECTION PLATE 600	600	1,2	0,387	3135701



■ Please indicate order code in your orders.

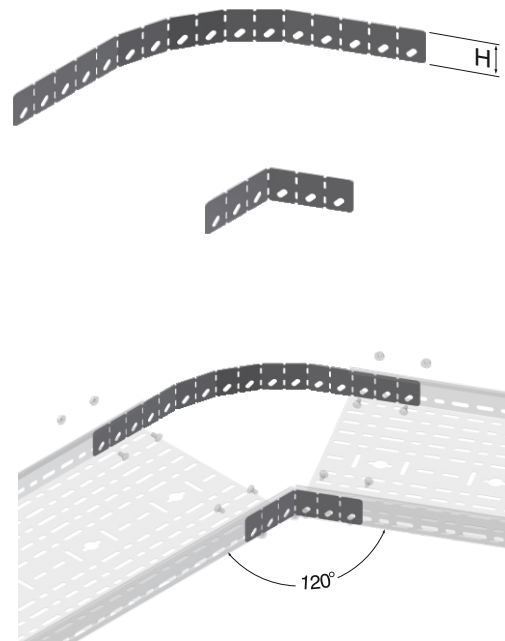
■ Material weights may vary by ± 10%

■ Please contact us for special size.

▶▶ CT-KC-KM FLEXIBLE JOINT

Hot Dip Galvanized After Fabrication (TS EN ISO 1461)

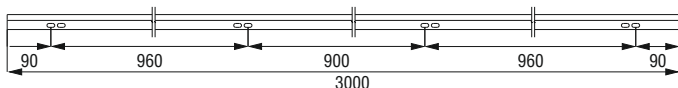
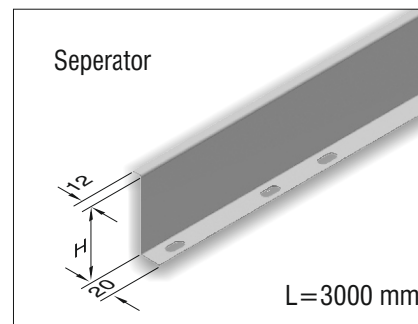
Description	H (mm)	T (mm)	Weight (kg./set.)	Order Code
40 FLEXIBLE JOINT (50-100-150-200-250-300)	33	1,2	0,212	3046727
40 FLEXIBLE JOINT (400-500-600)	33	1,2	0,309	3046728
50 FLEXIBLE JOINT (50-100-150-200-250-300)	44	1,2	0,280	3046729
50 FLEXIBLE JOINT (400-500-600)	44	1,2	0,408	3046730
60 FLEXIBLE JOINT (100-150-200-250-300)	53	1,2	0,354	3046731
60 FLEXIBLE JOINT (400-500-600)	53	1,2	0,514	3046732
75 FLEXIBLE JOINT (100-150-200-250-300)	64	1,2	0,466	3046733
75 FLEXIBLE JOINT (400-500-600)	64	1,2	0,677	3046734
100 FLEXIBLE JOINT (100-150-200-250-300)	94	1,2	0,638	3046735
100 FLEXIBLE JOINT (400-500-600)	94	1,2	0,927	3046736
125 FLEXIBLE JOINT (150-200-250-300)	119	1,2	0,783	3046737
125 FLEXIBLE JOINT (400-500-600)	119	1,2	1,138	3046738
150 FLEXIBLE JOINT (200-250-300)	144	1,2	0,947	3046739
150 FLEXIBLE JOINT (400-500-600)	144	1,2	1,371	3046740



▶▶ CT SEPARATOR

Hot Dip Galvanized After Fabrication (TS EN ISO 1461)

Description	H (mm)	T (mm)	Weight (kg./m.)	Order Code
040 CT SEPARATOR	35	1,2	0,626	3005834
050 CT SEPARATOR	45	1,2	0,728	3006954
060 CT SEPARATOR	55	1,2	0,833	3005833
075 CT SEPARATOR	70	1,2	0,991	3006953
100 CT SEPARATOR	95	1,2	1,271	3006952
125 CT SEPARATOR	120	1,2	1,551	3003330
150 CT SEPARATOR	145	1,2	1,831	3003331



■ Please indicate order code in your orders.

■ Material weights may vary by ± 10%

■ Be applied to a maximum angle of 120°.

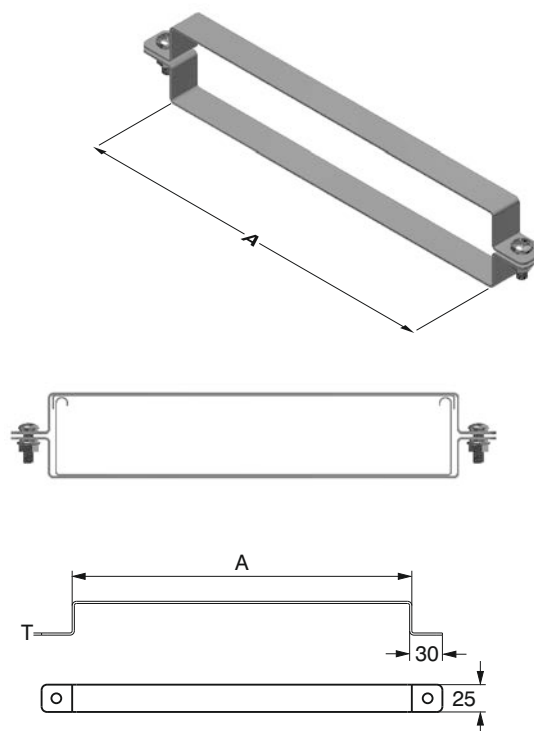
■ Please contact us for special size.

▶▶ CTH-CTA OMEGA CLAMP

Hot Dip Galvanized (TS EN ISO 1461)

Description	A	T (mm)	Weight (kg/set)	Order Code
40 CTH-CTA OMEGA CLAMP 50	61	2	0,123	3137730
40 CTH-CTA OMEGA CLAMP 100	111	2	0,167	3137731
40 CTH-CTA OMEGA CLAMP 150	161	2	0,211	3137732
40 CTH-CTA OMEGA CLAMP 200	211	2	0,253	3137733
40 CTH-CTA OMEGA CLAMP 250	261	2	0,297	3137734
40 CTH-CTA OMEGA CLAMP 300	311	2	0,341	3137735
40 CTH-CTA OMEGA CLAMP 400	411	2	0,427	3137736
40 CTH-CTA OMEGA CLAMP 500	511	2	0,513	3137737
40 CTH-CTA OMEGA CLAMP 600	611	2	0,598	3137738
50 CTH-CTA OMEGA CLAMP 50	61	2	0,132	3137739
50 CTH-CTA OMEGA CLAMP 100	111	2	0,176	3137740
50 CTH-CTA OMEGA CLAMP 150	161	2	0,220	3137741
50 CTH-CTA OMEGA CLAMP 200	211	2	0,262	3137742
50 CTH-CTA OMEGA CLAMP 250	261	2	0,306	3137743
50 CTH-CTA OMEGA CLAMP 300	311	2	0,350	3137744
50 CTH-CTA OMEGA CLAMP 400	411	2	0,436	3137745
50 CTH-CTA OMEGA CLAMP 500	511	2	0,521	3137747
50 CTH-CTA OMEGA CLAMP 600	611	2	0,607	3137748
60 CTH-CTA OMEGA CLAMP 100	111	2	0,185	3137795
60 CTH-CTA OMEGA CLAMP 150	161	2	0,229	3137796
60 CTH-CTA OMEGA CLAMP 200	211	2	0,271	3137797
60 CTH-CTA OMEGA CLAMP 250	261	2	0,315	3137798
60 CTH-CTA OMEGA CLAMP 300	311	2	0,356	3137799
60 CTH-CTA OMEGA CLAMP 400	411	2	0,444	3137800
60 CTH-CTA OMEGA CLAMP 500	511	2	0,530	3137801
60 CTH-CTA OMEGA CLAMP 600	611	2	0,616	3137802
75 CTH-CTA OMEGA CLAMP 100	111	2	0,198	3137803
75 CTH-CTA OMEGA CLAMP 150	161	2	0,240	3137804
75 CTH-CTA OMEGA CLAMP 200	211	2	0,284	3137805
75 CTH-CTA OMEGA CLAMP 250	261	2	0,328	3137806
75 CTH-CTA OMEGA CLAMP 300	311	2	0,370	3137807
75 CTH-CTA OMEGA CLAMP 400	411	2	0,458	3137808
75 CTH-CTA OMEGA CLAMP 500	511	2	0,543	3137809
75 CTH-CTA OMEGA CLAMP 600	611	2	0,629	3137811
100 CTH-CTA OMEGA CLAMP 100	111	2	0,220	3137812
100 CTH-CTA OMEGA CLAMP 150	161	2	0,262	3137813
100 CTH-CTA OMEGA CLAMP 200	211	2	0,306	3137814
100 CTH-CTA OMEGA CLAMP 250	261	2	0,350	3137815
100 CTH-CTA OMEGA CLAMP 300	311	2	0,392	3137816
100 CTH-CTA OMEGA CLAMP 400	411	2	0,477	3137817
100 CTH-CTA OMEGA CLAMP 500	511	2	0,565	3137818
100 CTH-CTA OMEGA CLAMP 600	611	2	0,651	3137819

CTH-CTA Tray Cover Grip Clamp



Note: Bolt set is included in the product delivered.

Description	A	T (mm)	Weight (kg/set)	Order Code
125 CTH-CTA OMEGA CLAMP 100	111	2	0,240	3137820
125 CTH-CTA OMEGA CLAMP 150	161	2	0,284	3137821
125 CTH-CTA OMEGA CLAMP 200	211	2	0,328	3137822
125 CTH-CTA OMEGA CLAMP 250	261	2	0,370	3137823
125 CTH-CTA OMEGA CLAMP 300	311	2	0,414	3137824
125 CTH-CTA OMEGA CLAMP 400	411	2	0,499	3137825
125 CTH-CTA OMEGA CLAMP 500	511	2	0,585	3137826
125 CTH-CTA OMEGA CLAMP 600	611	2	0,673	3137827
150 CTH-CTA OMEGA CLAMP 100	111	2	0,262	3137828
150 CTH-CTA OMEGA CLAMP 150	161	2	0,306	3137829
150 CTH-CTA OMEGA CLAMP 200	211	2	0,350	3137830
150 CTH-CTA OMEGA CLAMP 250	261	2	0,392	3137831
150 CTH-CTA OMEGA CLAMP 300	311	2	0,436	3137832
150 CTH-CTA OMEGA CLAMP 400	411	2	0,521	3137833
150 CTH-CTA OMEGA CLAMP 500	511	2	0,607	3137834
150 CTH-CTA OMEGA CLAMP 600	611	2	0,695	3137835

■ Please indicate order code in your orders.

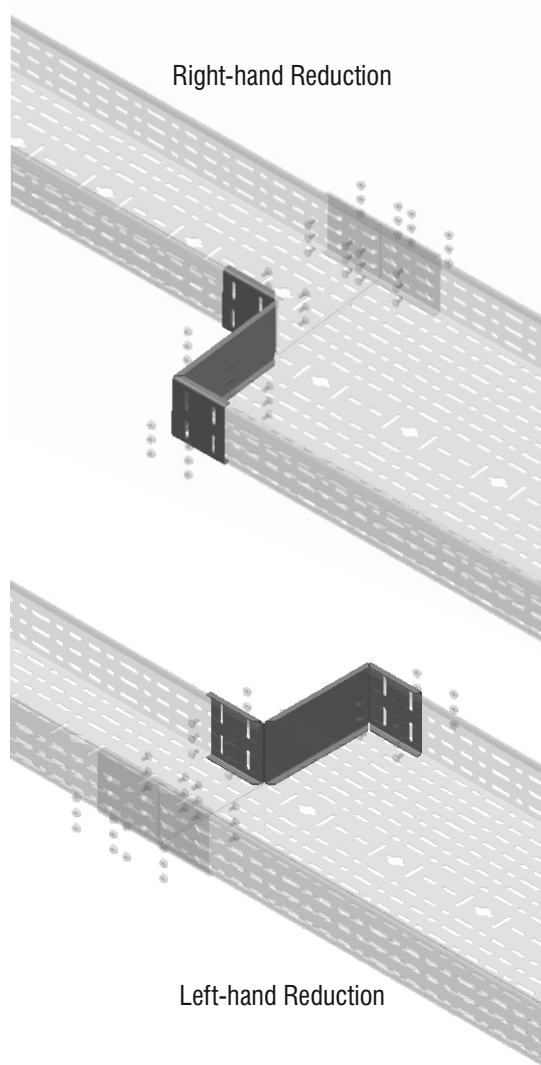
■ Material weights may vary by ± 10%

■ Please contact us for special size.

►► CT REDUCTION

Hot Dip Galvanized After Fabrication (TS EN ISO 1461)

Description	H (mm)	A (mm)	T (mm)	Weight (kg./set)	Order Code
40 CT RD 25	40	25	2	0,206	3002260
40 CT RD 50	40	50	2	0,232	3002262
40 CT RD100	40	100	2	0,284	3002264
40 CT RD150	40	150	2	0,337	3002266
40 CT RD200	40	200	2	0,388	3002268
40 CT RD250	40	250	2	0,441	3002270
40 CT RD300	40	300	2	0,493	3002272
50 CT RD 25	50	25	2	0,244	3002274
50 CT RD 50	50	50	2	0,275	3002276
50 CT RD100	50	100	2	0,336	3002278
50 CT RD150	50	150	2	0,396	3002280
50 CT RD200	50	200	2	0,457	3002282
50 CT RD250	50	250	2	0,518	3002284
50 CT RD300	50	300	2	0,579	3002286
60 CT RD 25	60	25	2	0,274	3002288
60 CT RD 50	60	50	2	0,308	3002290
60 CT RD100	60	100	2	0,377	3002292
60 CT RD150	60	150	2	0,447	3002294
60 CT RD200	60	200	2	0,517	3002296
60 CT RD250	60	250	2	0,586	3002298
60 CT RD300	60	300	2	0,656	3002300
75 CT RD 25	75	25	2	0,323	3002302
75 CT RD 50	75	50	2	0,365	3002304
75 CT RD100	75	100	2	0,448	3002306
75 CT RD150	75	150	2	0,530	3002308
75 CT RD200	75	200	2	0,612	3002310
75 CT RD250	75	250	2	0,694	3002312
75 CT RD300	75	300	2	0,777	3002314
100 CT RD 25	100	25	2	0,419	3002316
100 CT RD 50	100	50	2	0,472	3002318
100 CT RD100	100	100	2	0,575	3002320
100 CT RD150	100	150	2	0,680	3002322
100 CT RD200	100	200	2	0,783	3002324
100 CT RD250	100	250	2	0,888	3002326
100 CT RD300	100	300	2	0,991	3002328



Description	H (mm)	A (mm)	T (mm)	Weight (kg./set)	Order Code
125 CT RD 25	125	25	2	0,510	3003332
125 CT RD 50	125	50	2	0,573	3003333
125 CT RD 100	125	100	2	0,699	3003334
125 CT RD 150	125	150	2	0,825	3003335
125 CT RD 200	125	200	2	0,950	3003336
125 CT RD 250	125	250	2	1,076	3003337
125 CT RD 300	125	300	2	1,201	3003338
150 CT RD 25	150	25	2	0,596	3003339
150 CT RD 50	150	50	2	0,670	3003340
150 CT RD 100	150	100	2	0,817	3003341
150 CT RD 150	150	150	2	0,964	3003342
150 CT RD 200	150	200	2	1,111	3003343
150 CT RD 250	150	250	2	1,258	3003344
150 CT RD 300	150	300	2	1,406	3003345

■ It can be used as a left hand or right hand reduction.

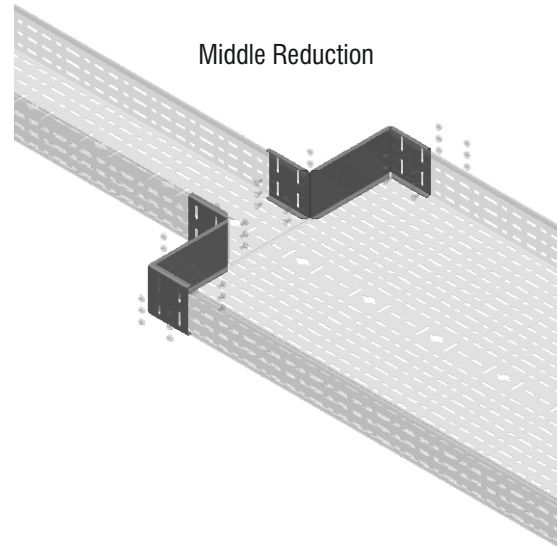
■ Please indicate order code in your orders.

■ Please contact us for special size.

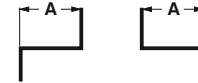
■ Material weights may vary by ± 10%

▶▶ CT MIDDLE REDUCTION

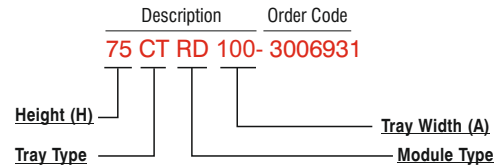
Hot Dip Galvanized After Fabrication (TS EN ISO 1461)



Middle Reduction



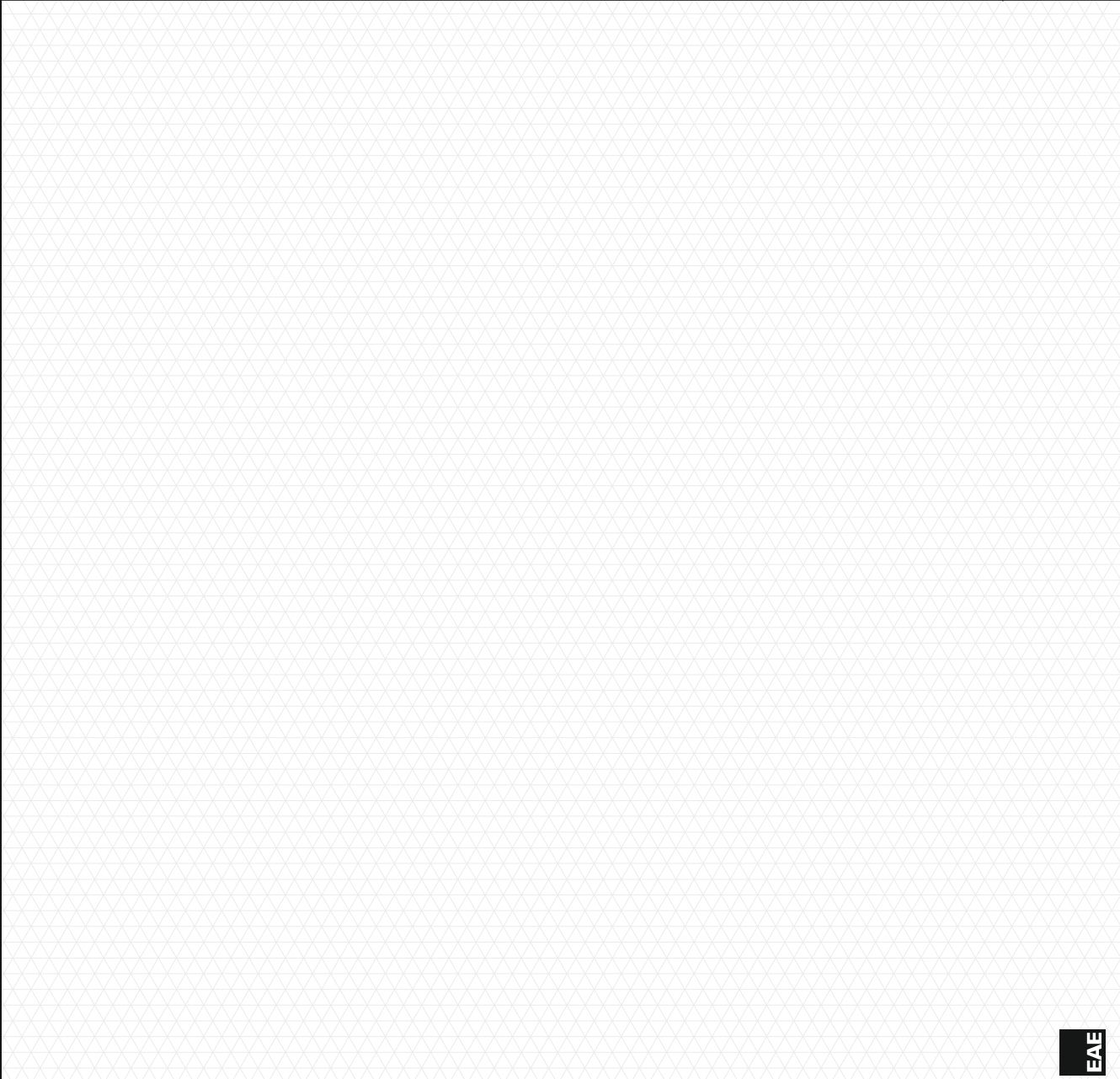
Description	H (mm)	A (mm)	T (mm)	Weight (kg/set)	Order Code
40 CT RD 25	40	25	2	0,411	3006059
40 CT RD 50	40	50	2	0,464	3006057
40 CT RD100	40	100	2	0,568	3006055
40 CT RD150	40	150	2	0,673	3006053
40 CT RD200	40	200	2	0,777	3006051
40 CT RD250	40	250	2	0,882	3006049
40 CT RD300	40	300	2	0,986	3006047
50 CT RD 25	50	25	2	0,488	3006045
50 CT RD 50	50	50	2	0,550	3006043
50 CT RD100	50	100	2	0,671	3006041
50 CT RD150	50	150	2	0,792	3006039
50 CT RD200	50	200	2	0,913	3006037
50 CT RD250	50	250	2	1,036	3006035
50 CT RD300	50	300	2	1,157	3006033
60 CT RD 25	60	25	2	0,548	3006031
60 CT RD 50	60	50	2	0,616	3006029
60 CT RD100	60	100	2	0,755	3006027
60 CT RD150	60	150	2	0,893	3006025
60 CT RD200	60	200	2	1,034	3006023
60 CT RD250	60	250	2	1,173	3006021
60 CT RD300	60	300	2	1,311	3006019
75 CT RD 25	75	25	2	0,647	3006935
75 CT RD 50	75	50	2	0,730	3006933
75 CT RD100	75	100	2	0,895	3006931
75 CT RD150	75	150	2	1,060	3006929
75 CT RD200	75	200	2	1,223	3006927
75 CT RD250	75	250	2	1,388	3006925
75 CT RD300	75	300	2	1,553	3006923
100 CT RD 25	100	25	2	0,838	3006921
100 CT RD 50	100	50	2	0,944	3006919
100 CT RD100	100	100	2	1,151	3006917
100 CT RD150	100	150	2	1,360	3006915
100 CT RD200	100	200	2	1,566	3006913
100 CT RD250	100	250	2	1,775	3006911
100 CT RD300	100	300	2	1,982	3006909



Description	H (mm)	A (mm)	T (mm)	Weight (kg/set)	Order Code
125 CT RD 25	125	25	2	1,021	3003346
125 CT RD 50	125	50	2	1,146	3003347
125 CT RD 100	125	100	2	1,397	3003348
125 CT RD 150	125	150	2	1,650	3003349
125 CT RD 200	125	200	2	1,901	3003350
125 CT RD 250	125	250	2	2,152	3003351
125 CT RD 300	125	300	2	2,402	3003352
150 CT RD 25	150	25	2	1,192	3003353
150 CT RD 50	150	50	2	1,340	3003354
150 CT RD 100	150	100	2	1,635	3003355
150 CT RD 150	150	150	2	1,927	3003356
150 CT RD 200	150	200	2	2,222	3003357
150 CT RD 250	150	250	2	2,517	3003358
150 CT RD 300	150	300	2	2,812	3003359

- Please indicate order code in your orders.
- Please contact us for special size.
- Material weights may vary by ± 10%

▶▶ PROJECT DESIGN FORM

Item	Component List Component	Quantity
Company : Project : Project No :		
Prepared by Name : Date : Signature:		
		

Please duplicate this page for your own use.