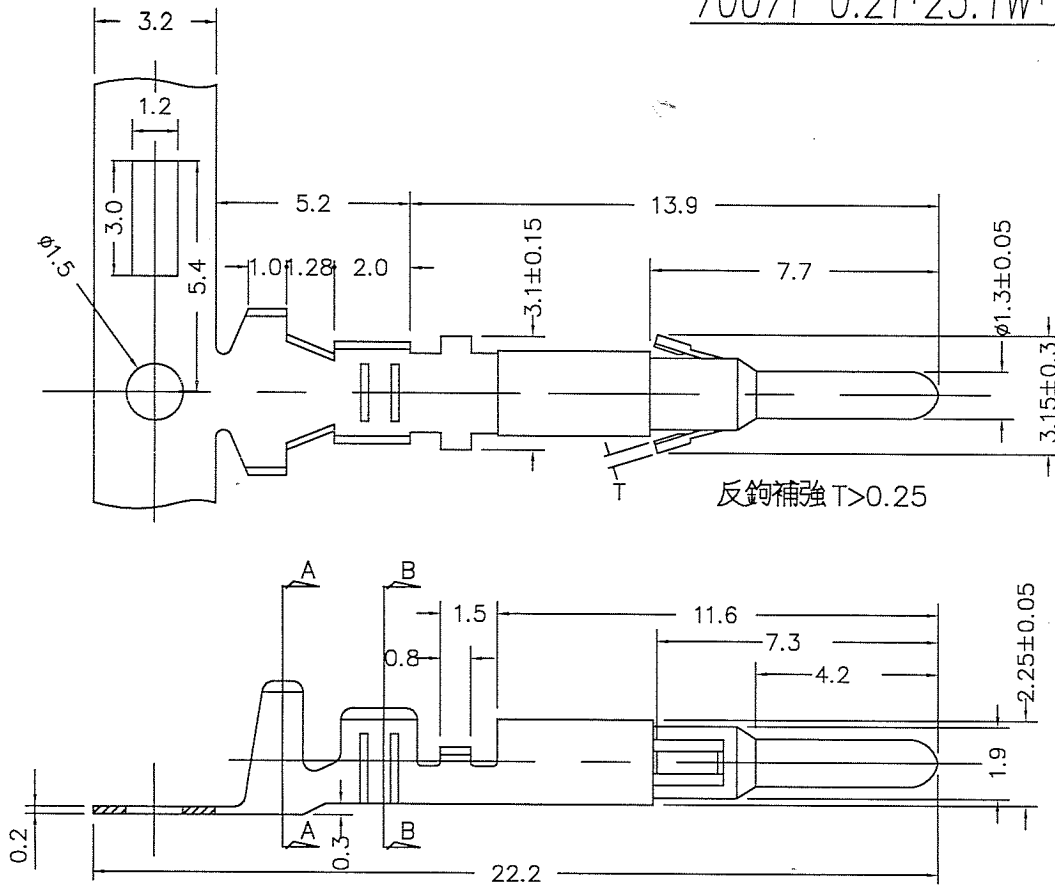
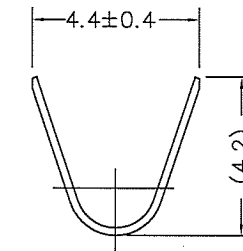


7007T 0.2T*23.1W*10.8P

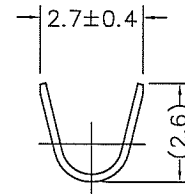
REV	MODIFICATION	DATE	DRAW
B	EN-11-1005	2011.10.05	Chris
C	ECN2-00000100	2014.05.28	Stacy



Sec. A-A



Sec. B-B



NOTES:

MATERIAL: C2680R-H

PLATING :

UNDERPLATING: NICKEL PLATING FOR

ALL 30u" ~50u".

SOLDER TAIL PLATING : TIN PLATING 100u"~200u".

TOLERANCES IF NOT SPECIFIED: ±0.1

PART NO.

T-7007-B3 XX 00

00: UNPLATING

TT : Comply to RoHS

DIMENSION IN mm [Inch]		PROD. SPEC.	KINGFONT PRECISION INDUSTRIAL CO., LTD.	
TOLERANCE UNLESS OTHERWISE SPECIFIED		PKG. SPEC.	TITLE CONTACT CUSTOMER DRAWING	
.X±0.10	X.'±	APPROVE <i>Comy</i>	FILE NO.	DWG NO. T-7007-B3XX00
.XX±0.10	.X'±	CHECK <i>Gouf</i>	SIZE A4	PROJ. SHEET 1 / 1
.XXX±0.10	.XX'±	DRAW <i>SE</i>	SCALE 1:1	REV C