



- Strokes 2300 - 5000 mm
- Glass fiber reinforced nylon housing
- Coated poliamide stainless steel wire
- Compact and rugged

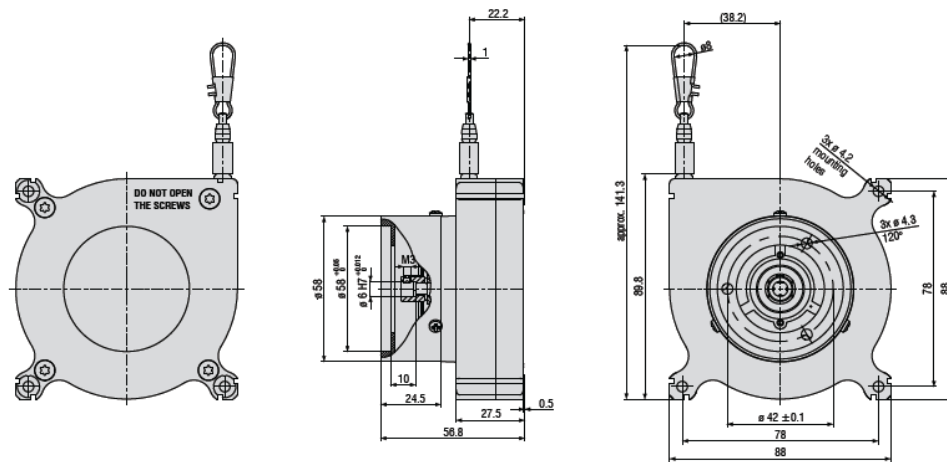
Series WPS



Encoder WPS

	WPS 2300	WPS 5000
Draw wire mechanics	MK88-M	MK88-M
Stroke	2300 mm	5000 mm
Weight	0.5 Kg	
Travel per encoder revolution	238.80 ±0.3 mm	240 ±1 mm
Materials: housing	aluminium	
draw wire	Coated poliamide stainless steel	
Wire diameter	0.45 mm	
Wire acceleration	5 g	
Wire retraction force (min.)	3 N	
Wire extension force (max)	9 N	
Mechanical shock (10 ms)	50 G 10 ms	
Vibration (20-2000 Hz)	20 g 20 Hz 2KHz	
Operating temperature	-40 ÷ +85°C	
Stocking temperature	-40 ÷ +85°C	

Mechanics WPS MK88-M



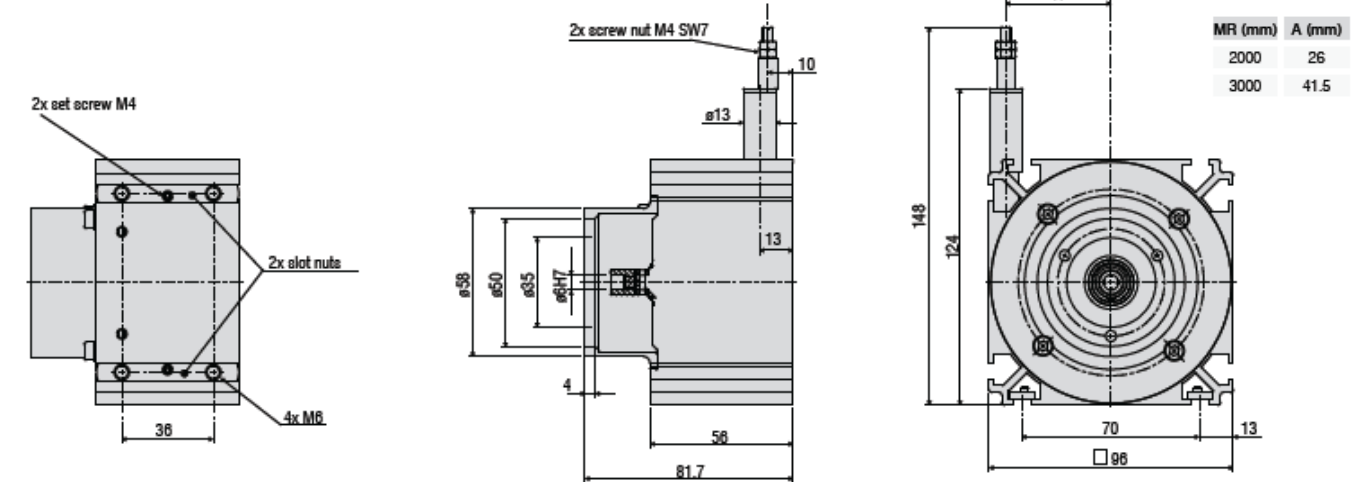
Series WDS



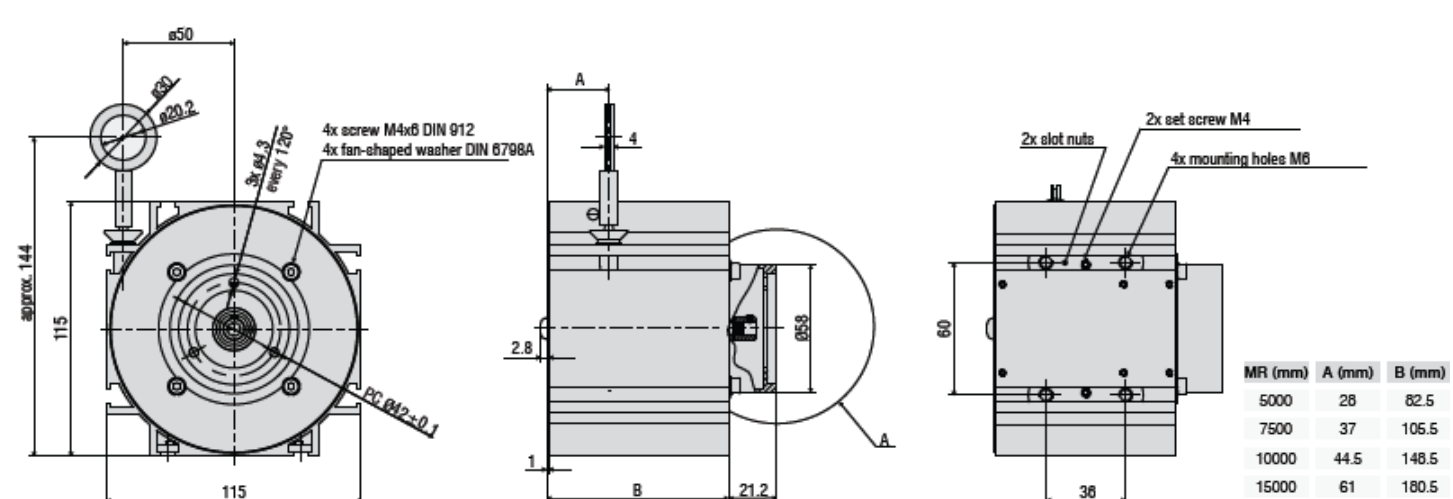
Encoder WDS

	WDS 3000	WDS 5000	WDS 7500	WDS 10000	WDS 15000
Draw wire mechanics	P96-M	P115-M	P115-M	P115-M	P115-M
Stroke	3000 mm	5000 mm	7500 mm	10000 mm	15000 mm
Weight	1.1 Kg.	1.4 Kg.	1.9 Kg.	2.8 Kg.	3.2 Kg.
Travel per encoder revolution	260.09 mm		315.07 mm		
Materials: housing	aluminium				
draw wire	Coated poliamide stainless steel				
Wire diameter	0.8 mm		1 mm		
Wire acceleration	7 g	5 g	6 g	3 g	3 g
Wire retraction force (min.)	5 N	4 N	8 N	8 N	8 N
Wire extension force (max)	10 N	16 N	24 N	21 N	25 N
Mechanical shock (10 ms)	50 G				
Vibration (20-2000 Hz)	20 g				
Operating temperature	-20 ÷ +80°C				
Stocking temperature	-40 ÷ +80°C				

Mechanics WDS P96-M



Mechanics WDS P115-M



Accurate and stout, wire transducers are the ideal solution for industrial applications requiring long strokes and accurate measures: typical applications are: X-Y tables, hydraulic and pneumatic cylinders, packing machines, wood-, glass-, marble-, sheet-working machineries.

The transducer consists of an encoder operated by means of a wire-reel mechanism; the wire is out of stainless steel covered with nylon. The inside spring keeps the wire tightened, ensuring accurate measures. The encoder output signal is proportional to the linear displacement of the wire.

Wire transducers WPS and WDS enclose the draw-wire mechanics and Elap multiturn absolute high-resolution encoder with communication protocol – EtherNet/IP, EtherCAT, PROFINET, Profibus, CANopen or SSI.

ORDERING INFORMATION

Select:	Example
Type WDS/WPS	WDS
Stroke 2300÷15000	3000
Bus EIP/ECT/PNT/ PDP/CAN/SSI	PDP
Turns Multiturn	M
Connections 3 connectors M12 2/3 cable glands Axial/radial cable Axial/radial connector	3P

COUPLED ENCODERS

MEM520-BUS EtherNet/IP MEM520-BUS EtherCAT MEM520-BUS PROFINET	Multiturn, Max resolution: 29 bit (13+16 bit), shaft Ø 6 mm, 3 connectors M12 UL Listed
MEM520-BUS Profibus DP MEM520-BUS CANopen	Multiturn, Max resolution: 29 bit (13+16 bit), shaft Ø 6 mm, 2/3 cable glands
MEM520 SSI	Multiturn, Max resolution: 29 bit (13+16 bit), shaft Ø 6 mm, cable or connector outlet

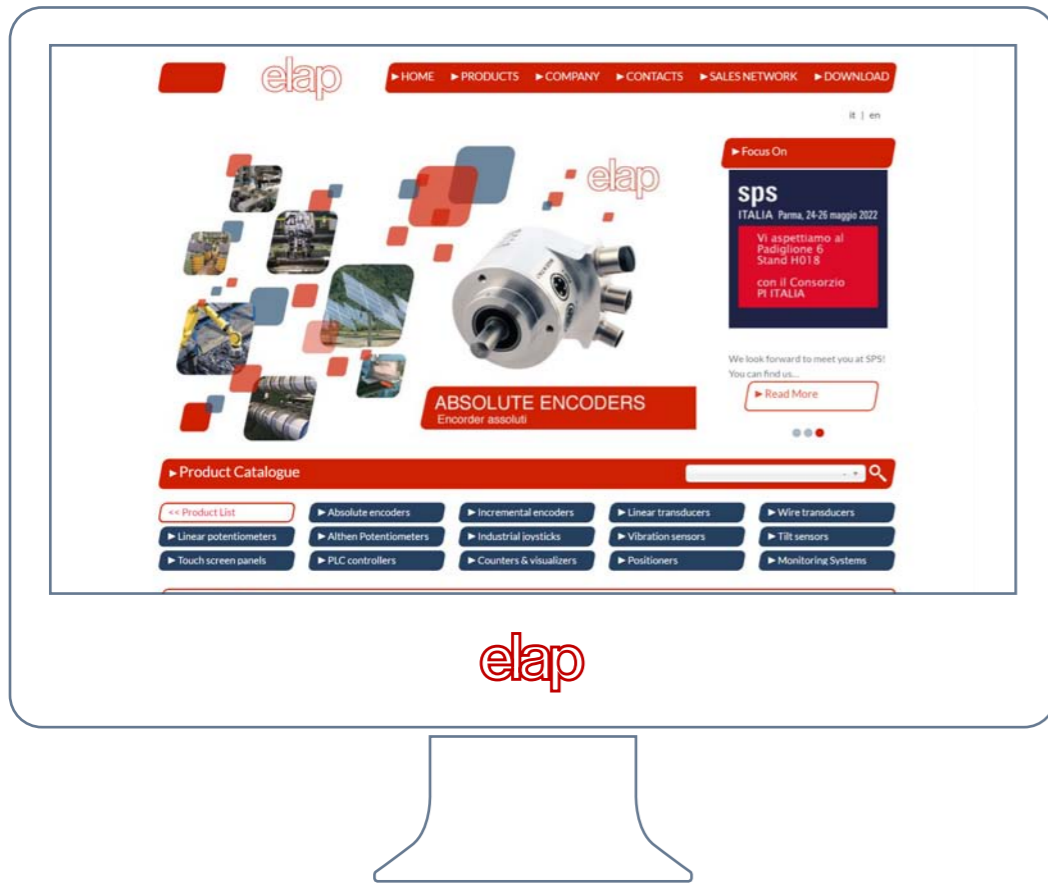


▶ SALES NETWORK



ELAP sales network includes several distributors worldwide. Visit our site to find a distributor in your Country.

▶ WWW.ELAP.IT



Visit our site www.elap.it to stay updated about our products and events.



ELAP srl
Via Vittorio Veneto, 4 - 20094 Corsico (Mi)
tel. +39 02 451.95.61 - fax +39 02 45.10.34.06
info@elap.it - www.elap.it



EtherNet/IP EtherCAT[®] Technology Group



PROFI[®] NET PROFIBUS[®] CANopen[®] SSI[®] SYNCHRONOUS SERIAL INTERFACE

ABSOLUTE WIRE ENCODERS

