

Two-side labeling

Can performance,  
versatility and  
profitability really  
be combined?



## Two-side labeling

# The 362M puts an end to compromises

Thanks to applicators that operate at an outstanding speed, an operating concept that enables quick format changes and industry-specific equipment options that leave nothing to be desired. If required, the machine can also label products with difficult shapes when they are centered. On top of that, it can also be easily converted to wrap-around labeling.



## Best results

Two high-performance applicators ensure maximum throughput – even during continuous operation.



Safe product guidance at any time, even for products with unusual shapes.



Reliability, cost-efficiency and investment safety are ensured by the unique modular design of HERMA machines with standardized components.



## Useful options

When handling complex products, special centering devices ensure very precise label positioning. With the electromechanical FS03 label sensor even transparent labels can be processed smoothly.

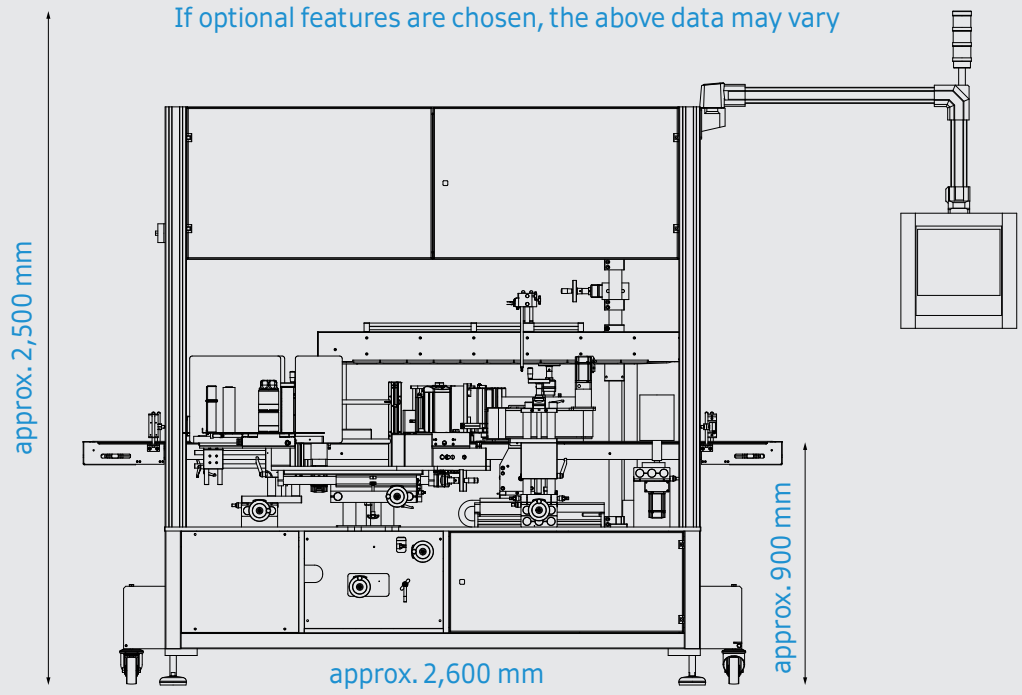
Electronic position indicators and motorized height adjustment support quick format changes and enable very short set-up times.

To safeguard product quality, the machine can be equipped with print and label presence checks combined with a label return for misprinted labels and a product reject station.

### Technical data

Labeling type:	Two-side labeling • wrap-around labeling (optional)
Product specifications:	Rectangular, flat-arched to oval, cylindrical, free-standing
Product dimensions:	Two-side labeling: 25 - 110 x 25 - 80 x 50 - 320 mm (L x W x H) Wrap-around labeling: 25 - 80 x 50 - 250 mm (D x H)
Label dimensions:	Two-side labeling: 15 - 240 x 30 - 200 mm (W x L) Wrap-around labeling: 15 - 240 x 30 - 315 mm (W x L)
Capacity:	Up to 200 products/minute
Power supply:	400 V, TN-C-S, 50 Hz, 3 phases 208 V, Delta 4-wire, 60 Hz, 3 phases (optional)
Compressed air supply:	6 bar
Printer:	Various hot-foil and thermal transfer printers (optional)
Components:	Control panel with 12 inch touchscreen, conveyor belt, side guides for products, top belt, applicators, wipe-down station
Options:	Transfer plates at infeed and outfeed, belt-type separator, scroll-type separator, chain aligner, wrap-around labeling with wrap-around belt and counterpressure plate or vertical moving roller prism, movable version, electronic position indicators, motorized height adjustment, pre-centering station, centering station, print check, bad label return, label presence check, product reject station, transparent safety guard, remote service via internet

**Note:** If optional features are chosen, the above data may vary



HERMA GmbH  
Labeling Machines Division  
Heinrich-Hermann-Straße 14  
70794 Filderstadt

Tel. +49 (0) 711 / 7702-6012  
[www.herma.com/machines](http://www.herma.com/machines)  
[machines@herma.com](mailto:machines@herma.com)



362M in video