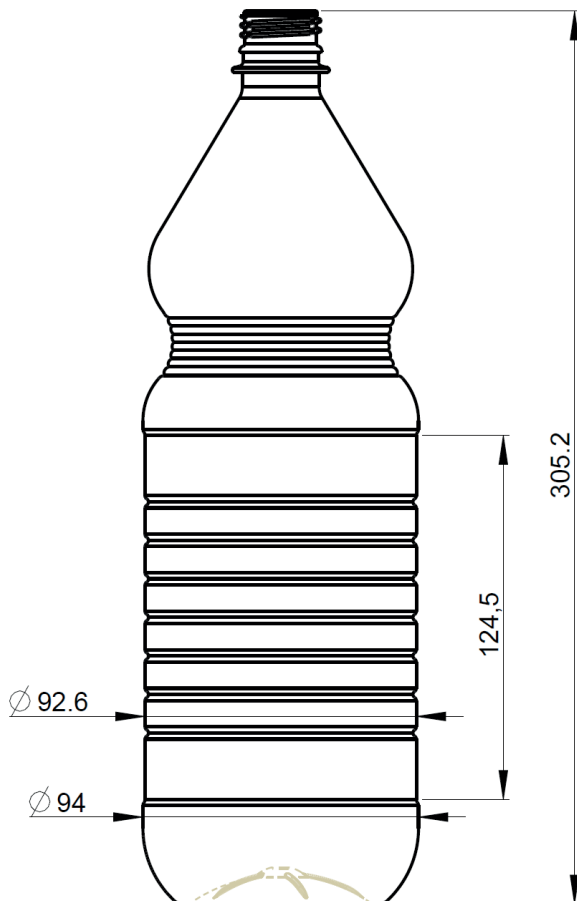


1,5 L Still Bottle

Product information



Product Code:	000335
Volume:	1500ml
Neck-Finish:	28mm PCO 1810
Weight:	43g
Bottles/Pallet:	1008 Export
PCR Possible:	Yes
Country of Origin:	Sweden
Dimensions:	94x94x305.2
Label Field Size:	92.6x124.5
MOQ:	100,000
Lead Time:	Made to order

- Designed for still beverages
- Stylish, easy to grip large format bottle perfect for at home consumption
- Made with high quality PET and always with renewable energy

Storage: Clean, dry and closed trucks/warehouses. No exposure to direct sunlight.
Palletisation: 1008 bottles/pallet