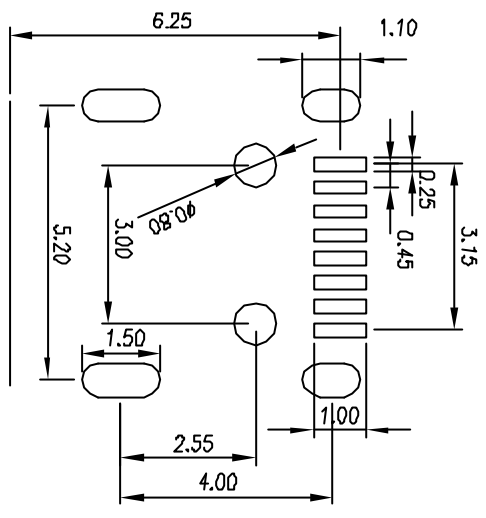
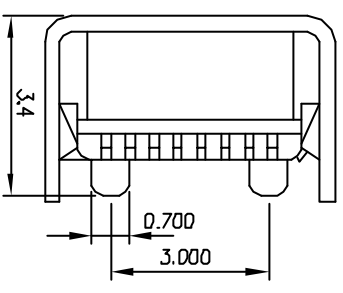
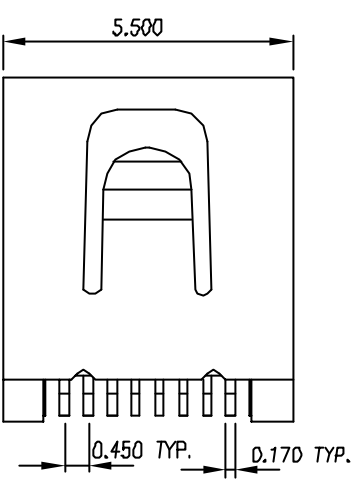
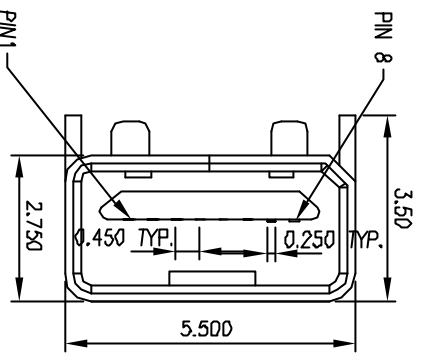
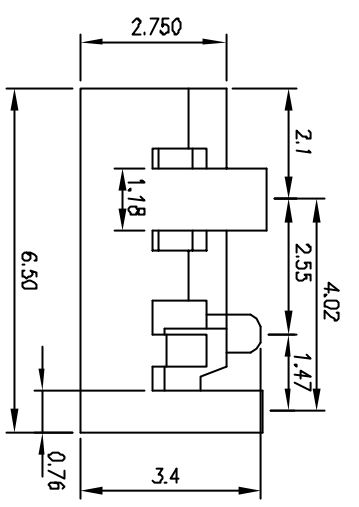


REV	MODIFICATION	DATE	DRAW



A B C D E F 1 2 3 4 5 6 7 8

A B C D E F 1 2 3 4 5 6 7 8

Material:
 Shell: CS210-H
 Housing: Block 94V-0.
 Terminal: JIS CS191-EH T=0.15mm.

ORDER INFORMATION:
 USBWL-008 XX BSD1-G
 01: G/F
 30: 30u"

DIMENSION IN mm [inch]	PROD. SPEC.
TOLERANCE UNLESS OTHERWISE SPECIFIED	PKG. SPEC.
X±0.25	X:±
XX±0.10	X:±
.XXX±0.05	.XX:±
	APPROVE
	CHECK
	DRAW

KINGFONT PRECISION INDUSTRIAL CO., LTD.		CUSTOMER DRAWING
TITLE MINI USB 8-SOCKET SHELL		
FILE NO.	DWG NO. USBWL-008XXBSD1-G	
SIZE A4	PROJ. SHEET 1	REV A
	SCALE 7:1	

RQR-51