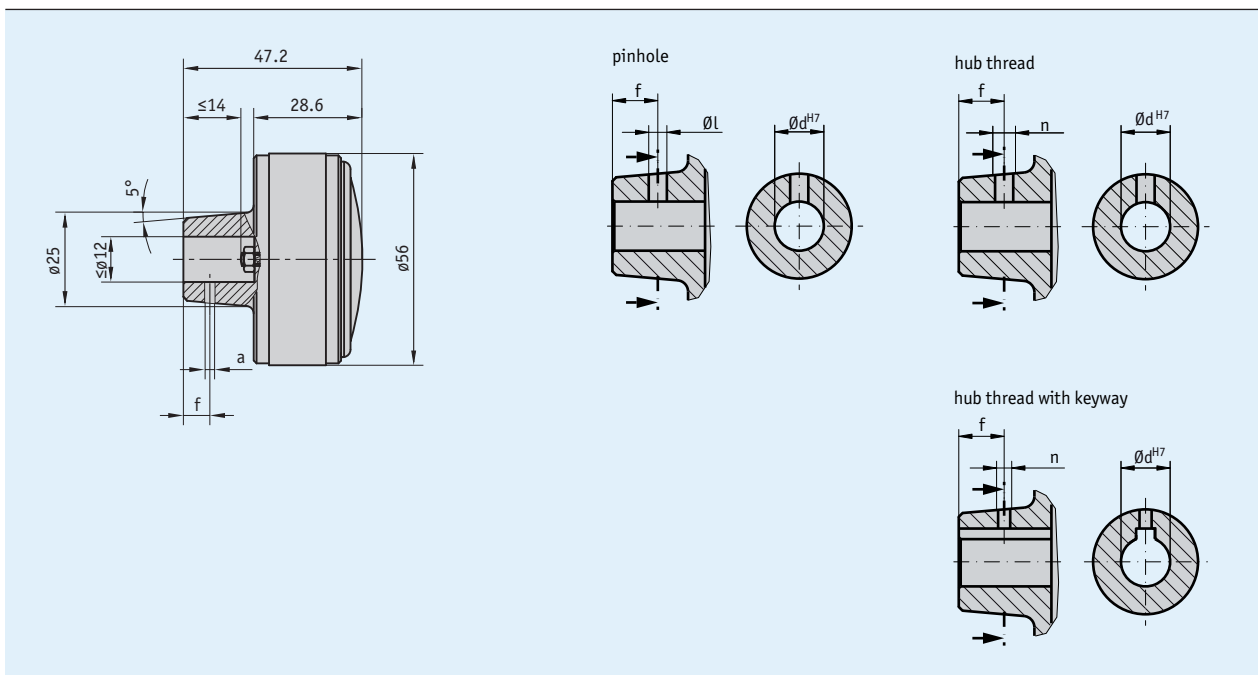


### Profile

- Compact turning handle made of aluminum casting
- with integrated position indicator
- Analog display with various gear ratios and special scales
- Surface anodized or bright-finished
- Various hub versions



### Mechanical data

Feature	Technical data	Additional information
Material	aluminum	
Weight	0.1 kg	

## Order

### Ordering table

Feature	Ordering data	Specification	Additional information
Bore/diameter	... <b>A</b>	08 ... 12 mm, in steps of 1 mm	see drawing
Surface	<b>B</b>	unpainted	
	<b>ES</b>	black anodized	
	<b>EF</b>	natural anodized	
Gear ratio	... <b>C</b>	1, 2, 3, 6, 12, 18, 20, 30, 36, 48, 50, 60, 72, 84, 96, 100	
Sense of rotation	<b>i</b>	clockwise ascending values	
	<b>e</b>	counter-clockwise ascending values	
Pointer	<b>1</b>	red with transmission	
	<b>2</b>	red with transmission + black 1:1	
Pinhole	<b>0S</b>	without pin hole	
	<b>2.5/7</b>	diameter "ø"/measure "f"	only if hub thread is "ONG"
		others on request	
Hub thread	<b>ONG</b>	without hub thread	
	<b>M6/8</b>	thread "n"/measure "f"	only if pin hole is "0S"
		others on request	
Scale	<b>N..</b>	normal scale	related to display after 1st revolution
	<b>VK..</b>	special scale	customer-specific, no VK for first production
Multi-color scale	<b>C1</b>	1-colored	
	<b>C2</b>	2-colored	
	<b>C3</b>	3-colored	

### Order key



Scope of delivery: HR5