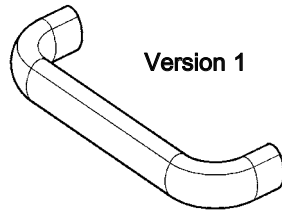
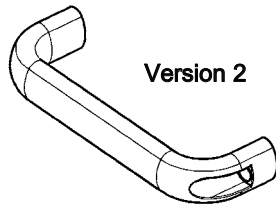


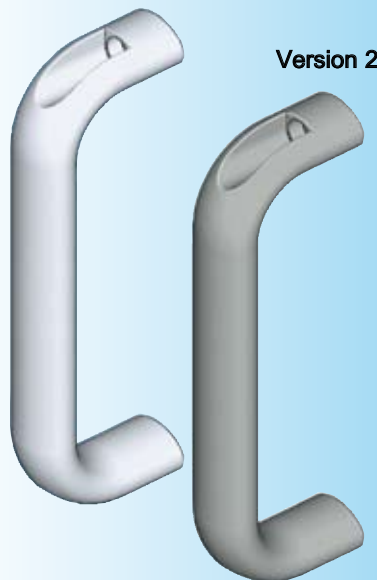
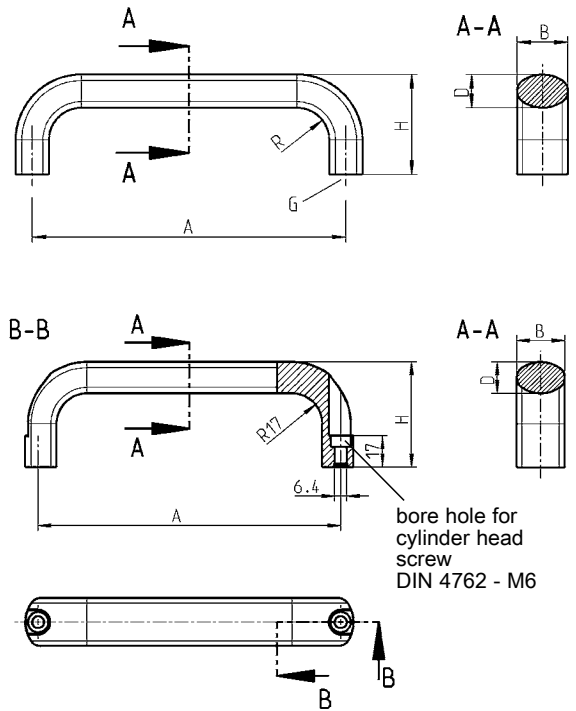
Version 1



Version 1



Version 2



Version 2

Bow-type handle, aluminium optionally raw, anodized black plastic coated or stainless steel AISI

Version 1

A	B	D	G	H	R	raw	anodized	black
100	20	13	M6x10	47	13	1095-26-100KB	1095-26-100NA	1095-26-100AA
112	20	13	M6x10	49	13	1095-26-112KB	1095-26-112NA	1095-26-112AA
112	26	17	M8x12	53	17	1095-27-112KB	1095-27-112NA	1095-27-112AA
128	20	13	M6x10	51	13	1095-26-128KB	1095-26-128NA	1095-26-128AA
128	26	17	M8x12	55	17	1095-27-128KB	1095-27-128NA	1095-27-128AA
160	20	13	M6x10	51	13	1095-26-160KB	1095-26-160NA	1095-26-160AA
160	26	17	M8x12	57	17	1095-27-160KB	1095-27-160NA	1095-27-160AA
192	26	17	M8x12	57	17	1095-26-192KB	1095-26-192NA	1095-26-192AA
300	26	17	M8x12	57	17	1095-26-300KB	1095-26-300NA	1095-26-300AA
400	26	17	M8x12	57	17	1095-26-400KB	1095-26-400NA	1095-26-400AA
500	26	17	M8x12	57	17	1095-26-500KB	1095-26-500NA	1095-26-500AA

Version 1

A	B	D	G	H	R	AISI 304		
112	20	13	M6x10	49	13			1095-26-112PC
128	20	13	M6x10	51	13			1095-26-128PC

Bow-type handle, aluminium optionally raw, anodized, black plastic coated or stainless steel AISI

Version 2

A	B	D	H	raw	anodized	black
116	26	17	53	1095-28-116KB	1095-28-116NA	1095-28-116AA
132	26	17	55	1095-28-132KB	1095-28-132NA	1095-28-132AA
164	26	17	57	1095-28-164KB	1095-28-164NA	1095-28-164AA
196	26	17	57	1095-28-196KB	1095-28-196NA	1095-28-196AA

Version 2

A	B	D	H	AISI 316		
116	26	17	53			1095-28-116PH

Fastening material is not included in delivery.