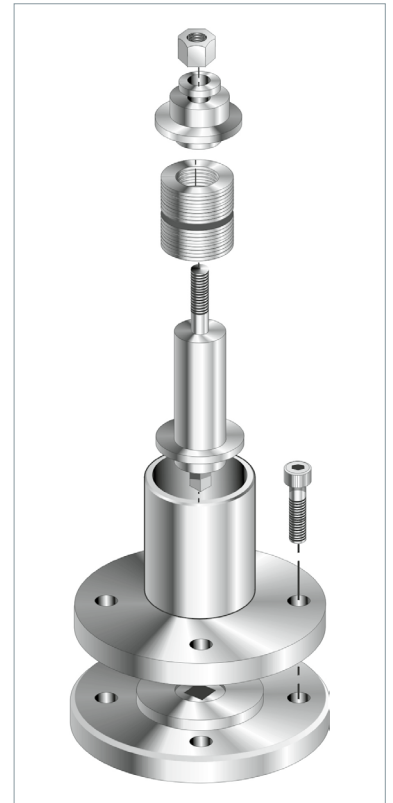
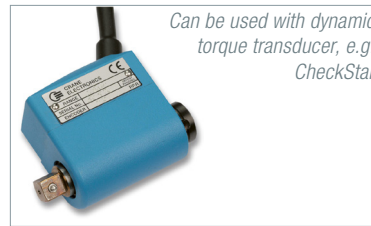


# Joint Simulators – Table-Top Joint-Kits



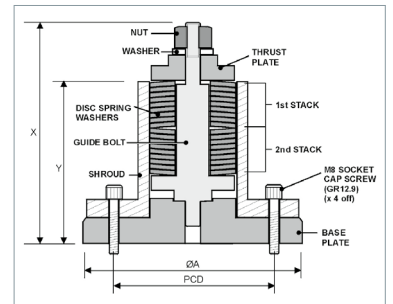
## Simulator for dynamic transducers

'Table Top' joint kits are used with our series of CheckStar rotary transducers. The Table-Tops are fixed to a work-bench and are particularly suitable for off-line testing of non-impacting screwdrivers, angle nutrunners and impulse tools.

The spring pack in the joint kit simulator can be configured in various gradations to vary the bolt joint hardness. It is important to ensure that the hardness to be simulated is achieved as accurately as possible and that the maximum torque is not exceeded.

Tooling engineers are well aware of the 'mean shift' term used to describe the different torque levels delivered by the same tool when applied to a soft or hard joint. It is therefore essential in the testing and setup of tools off of the production line, to allow for the joint condition which the tool will experience on the job.

- ▶ Used in combination with rotary torque transducers, e.g. CheckStars.
- ▶ Represent production joint conditions off the production line.
- ▶ Can be adjusted to include joint conditions specified by ISO 5393.
- ▶ Allows free running of bolt before torque gradient.
- ▶ Major benefit to accurate tool test and set-up.



## Table-Top Joint-Kits

Model	Item No.	Size inch	Maximum Torque Load ( soft → medium → hard )				Ø mm	Nut mm	Bolt mm	Pitch
			N-m	N-m	N-m	N-m				
JK-875-06CR-28-0	C718150	1/4	5.6	13.6	21.5	28.25	100	13	M8	1.25
JK-875-07CR-135-0	C718155	3/8	67.8	120	100	100	100	19	M12	1.75
JK-875-08CR-271-0	C718158	1/2	135.6	220	271	271	100	24	M16	2.00
JK-875-09CR-1017-0	C718159	3/4	460	830	775	1017	150	36	M24	3.00
JK-875-10CR-1695-0	C718157	1	847	1600	1400	1695	150	46	M30	n. a.

## Replacement Parts

Size	Bolt Kit	Thrust Plate	Spacer Set	Disk Spring Washers	Hard Washer	Shroud
1/4	C718183	C718221	C718230	C718224 (x24)	C718227	C718233
3/8	C718184	C718222	C718231	C718225 (x18)	C718228	C718234
1/2	C718185	C718223	C718232	C718226 (x18)	C718229	C718235
3/4	C718186	C718242	C718243	C718244 (x20)	C718245	C718246
1	C718187	1401414	1401415	1401419 (x10)	1401509	1403812



Further information available on our website – 24/7.

Other spare parts available on request as required.