



E-LINEMINI

Mini Series Pop-up and IP66 Outlet Boxes



NEW
PRODUCT

▶▶ POP-UP SERIES PRODUCTS (IP-40)

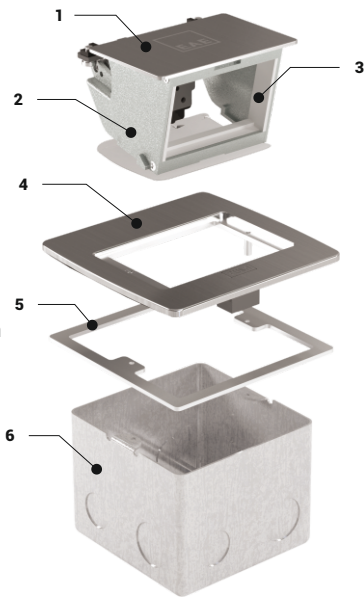
▶ P-Box 3M

▶ P-Box 6M

Add value to your working environment with the **pop-up series products**. Get power from the nearest point with its stylish finish and accessibility. Can be used in tabletop, under screed or raised floor applications. Select the module (3 / 6 modules) you need and customize using the range of available outlets.



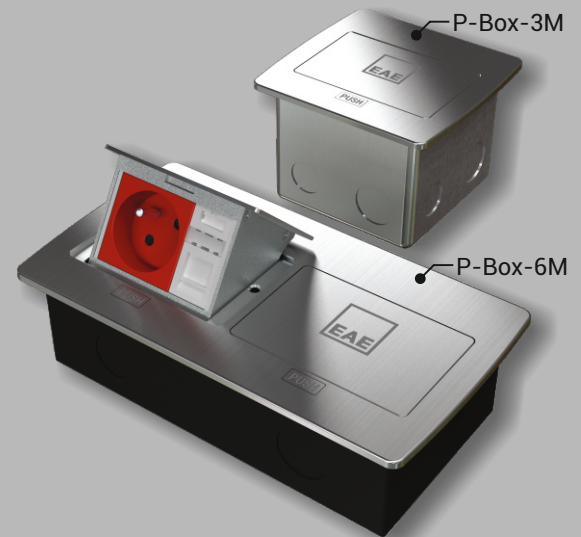
- Soft opening covers
- Plastic socket plate for modular type (45x45mm and 22.5x45mm) power, data, telephone and multimedia outlets
- Suitable structure for desk, raised floor and under screed applications
- 3 Modules and 6 Modules options



Utilized with Junction Boxes in desks and raised floors.

- 1 - Hinged cover (stainless)
- 2 - Cast zinc alloy frame
- 3 - Plastic socket plate (3 modules)
- 4 - Fixed frame (stainless)
- 5 - Desk support (pre-galvanized sheet)
- 6 - Back box for underscreed (pre-galvanized sheet)

■ Sockets are not included.
Sockets can be ordered by selecting from the table on the back.



Applications:



Residential Buildings



Shopping Centres



Airports



Factory Workshop



Administrative Buildings Offices



Hotels



Hospitals Health Centres

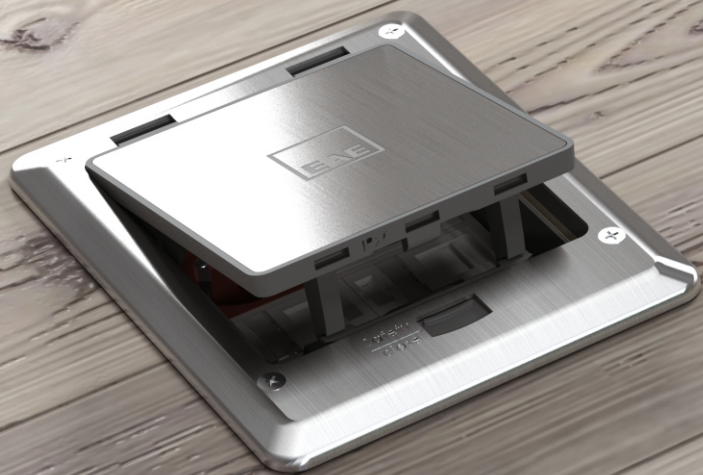


Sport Centres

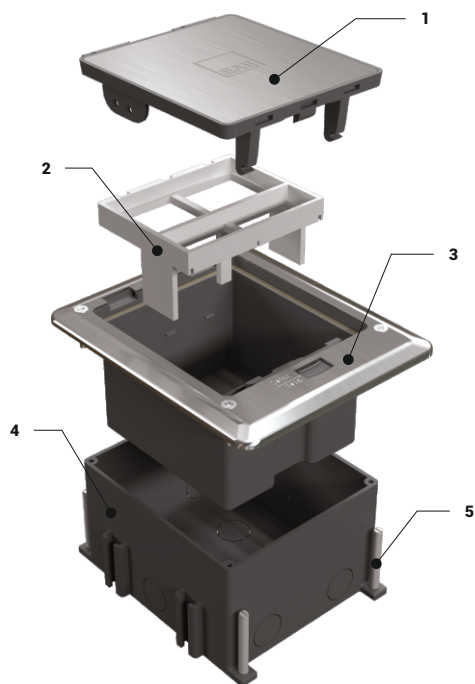
▶▶ IP-66 SERIES PRODUCTS

▶ IP66 R-Box, 6 Modules

The R-Box is water and dust-proof with its IP66 degree of protection. The two stage opening cover eliminates cable crushes ensuring safety in use. With 6 modules capacity, the R-Box can be customised to meet your needs, and can be used in tabletop, under screed or raised floor applications.

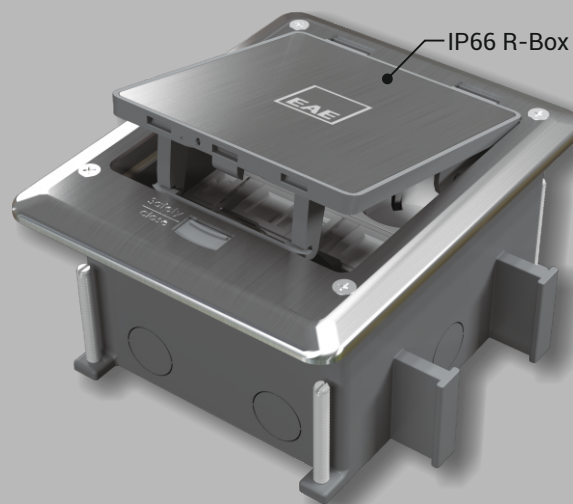


- Two stage opening cover structure
- Plastic socket plate for modular type (45x45mm and 22.5x45mm) power, data, telephone and multimedia outlets
- Suitable structure for underscreed and raised floor application and back box with pipe entry.
- Six (6) modules outlet capacity
- Special locking mechanism on the cover eliminating cable crushes



- 1 - Plastic top cover (stainless filler inside of cover)
- 2 - Plastic socket plate (6 modules)
- 3 - IP66 Stainless steel metal frame with plastic rectangular body
- 4 - IP66 Under screed back box
- 5 - Before screed height adjustment screw (0-50mm)

■ Sockets are not included.
Sockets can be ordered by selecting from the table on the back.



Applications:



Residential Buildings



Shopping Centres



Airports



Factory Workshop



Administrative Buildings Offices



Hotels



Hospitals Health Centres

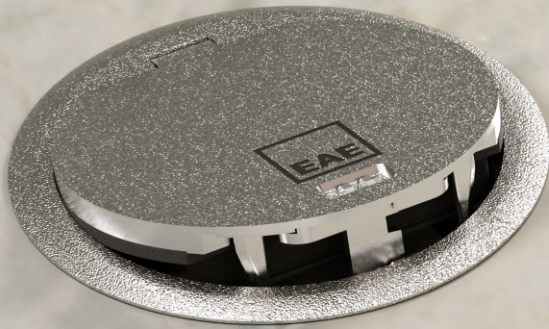


Sport Centres

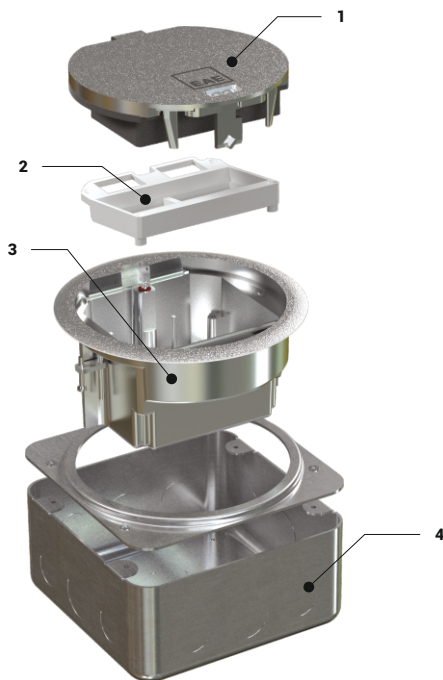
▶▶ IP-66 SERIES PRODUCTS

▶ IP66 C-Box, 6 Modules

The C-Box range has a cast zinc alloy frame which gives a stylish and robust structure. Protected against water and dust with its IP-66 degree of protection. Utilise the C-Box range of products safely in your working environment with their two stage opening cover eliminating cable crushes. Circular structure providing special customization according to your needs with 6 modules capacity.

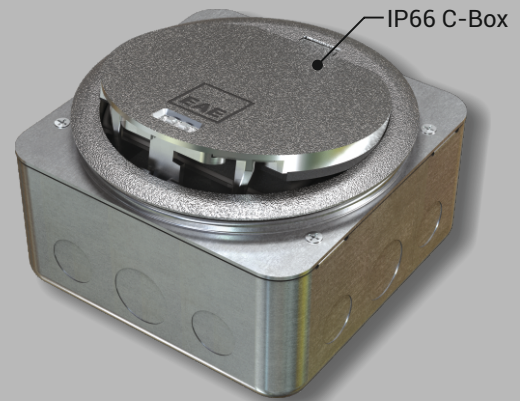


- Two stage opening cover structure
- Plastic socket plate for modular type (45x45mm and 22.5x45mm) power, data, telephone and multimedia outlets
- Suitable structure for underscreed and raised floor application and back box with pipe entry.
- Six (6) modules outlet capacity
- Special locking mechanism on the cover eliminating cable crushes



- 1 - Cast zinc alloy hinged cover
- 2 - Plastic socket plate (6 modules)
- 3 - IP66 cast zinc alloy circular body
- 4 - IP66 Under screed back box (pre-galvanised sheet steel)

■ Sockets are not included.
Sockets can be ordered by selecting from the table on the back.



Applications:



Residential Buildings



Shopping Centres



Airports



Factory Workshop



Administrative Buildings Offices



Hotels



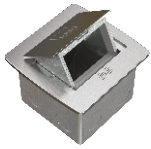
Hospitals Health Centres



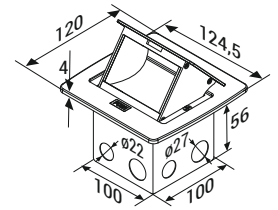
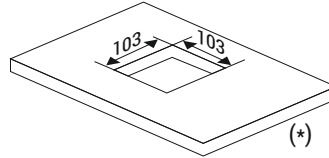
Sport Centres



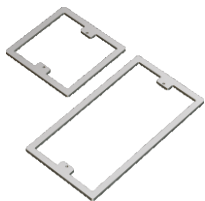
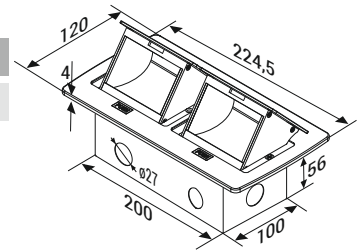
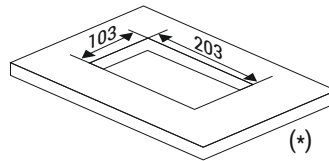
►► Order Codes



Description	Cut out (mm)	Order Code
P-Box 3M (3 Modules)	103x103	1022598

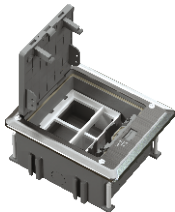
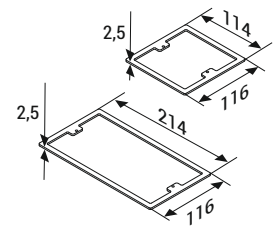


Description	Cut out (mm)	Order Code
P-Box 6M (6 Modules)	203x103	1022599

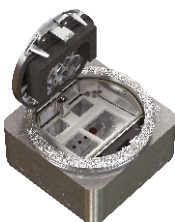
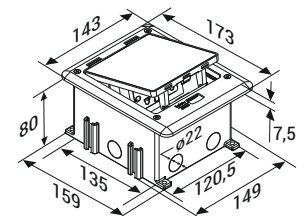
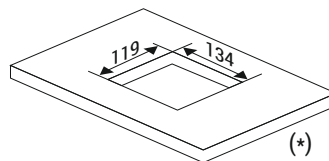


Description	Dimensions (mm)	Order Code
P-Box 3M Desk Support (pre-galvanised sheet steel)	114x116	2086156
P-Box 6M Desk Support (pre-galvanised sheet steel)	214x116	2086157

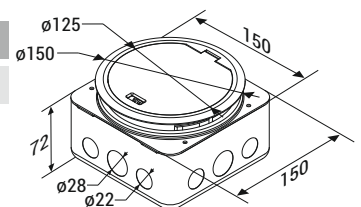
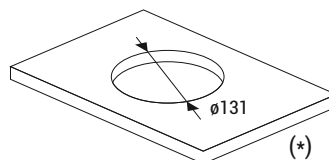
■ Order separately for internal desk and raised covering (built-in) applications.



Description	Cut out (mm)	Order Code
IP-66 R-Box (6 Modules)	119x134	1022596



Description	Cut out (mm)	Order Code
IP-66 C-Box (6 Modules)	Ø131	1022597



(*) Cutting dimensions for desk or raised covering applications.

►► Sockets / Accessories Order Codes



Description	Order Code
Power Socket (1) - (230V / 16A)	1004270

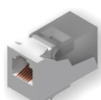


Description	Order Code
UPS Socket (1) - (230V / 16A)	1004271



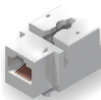
Description	Order Code
Telephone / Data Cover	1004186

Telephone / Data cover is compatible with the "Keystone Jack" standard.



Description	Order Code
Telephone Socket	1004337

Telephone Socket is given as CAT3 RJ11 "Keystone Jack"



Description	Order Code
Data Socket	1004334

Data Socket is given as CAT6 UTP RJ45 "Keystone Jack"



Description	Order Code
USB 3.0 Adapter, 22,5x45 mm, Female-Female, 90° angled	1016318



Description	Order Code
HDMI Adapter, 22,5x45 mm, Female-Female, 90° angled	1016317



Description	Order Code
VGA Adapter, 22,5x45 mm, Female-Female	1016319



Description	Order Code
USB Charge Adapter 2 Ports, Entry 100-240 VAC, 50-60 Hz, Output 5 VDC – 2100mA	1016316



Description	Order Code
Single Cover Plate	1004246



Description	Order Code
Double Cover Plate	1002612

■ The product visuals are for illustration only, and may vary to the actual product.

EAE Elektrik A.S.
Akcaburgaz Mahallesi,
3114. Sokak, No:10 34522
Esenyurt - Istanbul - TURKEY
Tel: +90 (212) 866 20 00
Fax: +90 (212) 886 24 20

Please visit our website for the updated version of our catalogs.
www.eaeelectric.com



Brochure 33-Eng. / Rev 03 0 pcs. 10/02/2023
D.S.

EAE has full right to make any revisions or changes on this brochure without any prior notice.

