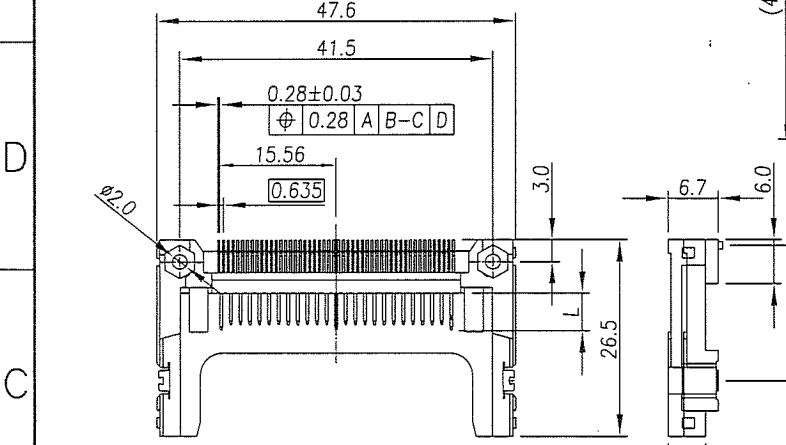
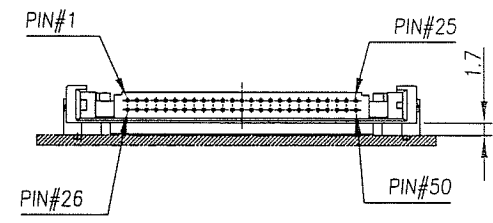
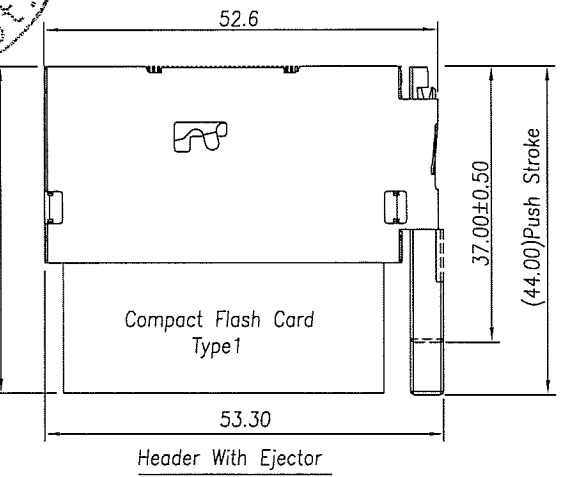
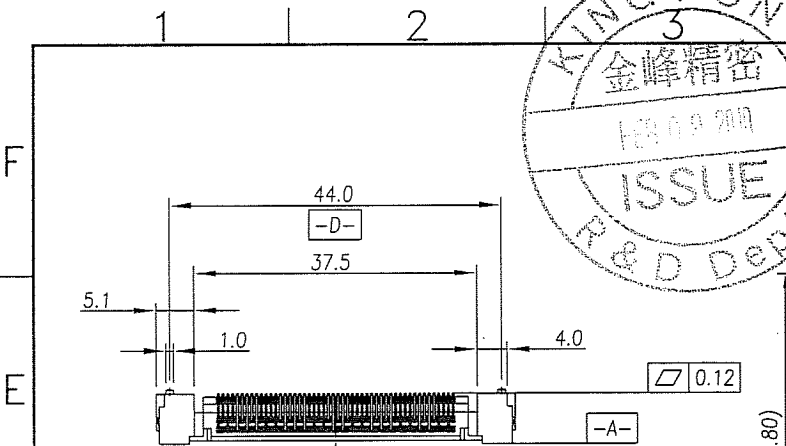


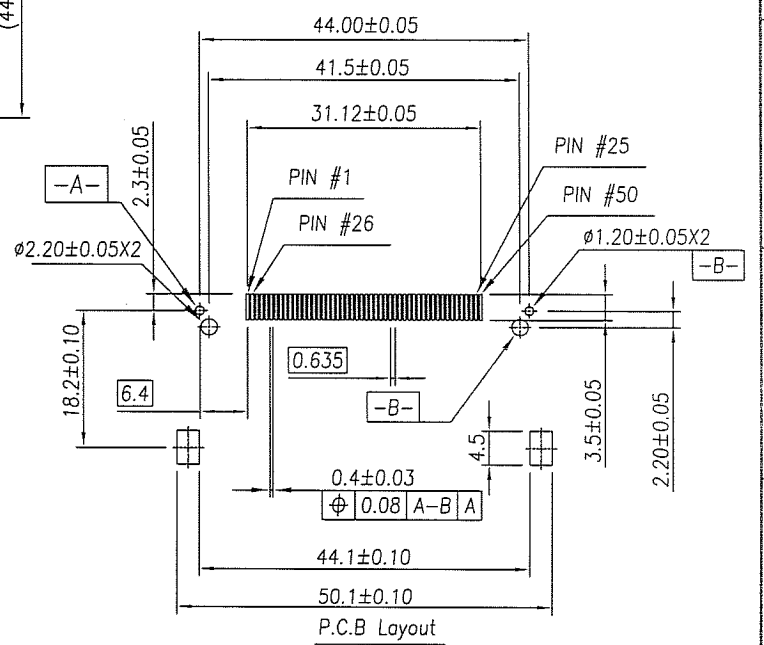
| Pin Type | DIM.L | Pin Type | REV | MODIFICATION | DATE | DRAW |
|----------|---------|----------------|-----|--------------|------------|------|
| Detect | 3.5 mm | 25,26 | B | EN-06-0935 | 2006/09/25 | TONY |
| General | 4.25 mm | All Other Pins | C | EN-07-1143 | 2007/11/19 | TONY |
| Power | 5.0 mm | 1,13,38,50 | D | EN-10-0210 | 2010/02/09 | TONY |



SPECIFICATIONS:
 HOUSING : High Temperature Plastic, UL 94V-0
 CONTACT : Copper Alloys
 VOLTAGE RATING : 100VAC
 CURRENT RATING : 0.5A
 CONTACT RESISTANCE:40 m Ohm max.
 INSULATION RESISTANCE:1000M Ohm min.
 DIELECTRIC STRENGTH : 500VAC/1min
 OPERATION TEMPERATURE : -40°C~85°C

Ordering Information:
 CFC M D - 1 5 T XX W 00 1

Pin No. 50 Position
 Color: W-White.
 T : COMPLY TO RoHS
 Contact Area Plating:
 15--15U" Gold Plating.
 30--30U" Gold Plating.



| | | | | |
|--------------------------------------|-------------|------------------------|--|-------------------------|
| DIMENSION IN mm [Inch] | | PROD. SPEC. SP0011 | KINGFONT KINGFONT PRECISION INDUSTRIAL CO., LTD. | |
| TOLERANCE UNLESS OTHERWISE SPECIFIED | | PKG. SPEC. PPP-CFC-006 | TITLE 1.27mm CF CARD CONN. 50PIN TYPE1,2 NORMAL TYPE | CUSTOMER DRAWING |
| .X±0.30 | .X'± 1" | APPROVE <i>Gang</i> | FILE NO. KFP-011 | DWG NO. CFCMD-15XXXW001 |
| .XX±0.20 | .X'± 0.5" | CHECK <i>Sto</i> | SIZE A4 | PROJ. SHEET 1 / 1 |
| .XXX±0.10 | .XX'± 0.25" | DRAW <i>Fony</i> | SCALE 1:1 | REV D |