

Magnet Welding Angles A 90 | BA

Switchable permanent magnets

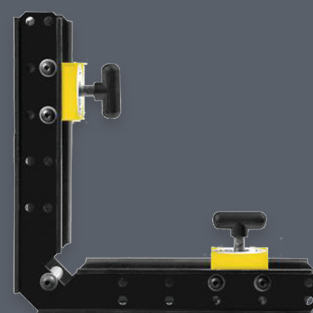
Your third indispensable hand for welding or assembly works on flat and round materials at 90° (A90) angle or with individual angle adjustment 0°-360° (BA).

MSQs are assembled in stable aluminium profiles to form magnetic angles.



Features

- ⚙ Magnets can be completely switched off by simple 180° rotation of the control lever
- ⚙ Sturdy steel construction of the angle
- ⚙ Usable as inside and outside angle
- ⚙ Usable for round and square workpieces
- ⚙ Powerful grip can be increased by additional Magnetquader (A90)
- ⚙ Fast and easy angle adjustment by means of quick release (BA)
- ⚙ Engraved scales for exact angle adjustment, 0 - 360° (BA)



A 90

Technical data

	Dimensions [LxWxH]	Adhesive force	Weight	No.
	[mm]	[kg]	[kg]	
A 165	205 x 205 x 47	68	0.8	61945
A 400	288 x 288 x 104	181	2.8	60340
A 600	288 x 288 x 134	272	3.7	60341
A 1000	287 x 474 x 145	454	4.6	60342
BA 150	196 x 196 x 80	68	1.3	60344
BA 400	257 x 257 x 109	181	3.0	60345
BA 600	257 x 257 x 169	272	4.0	60346