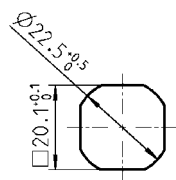
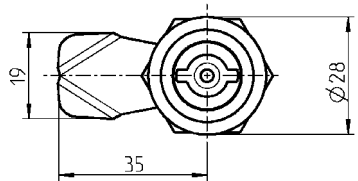
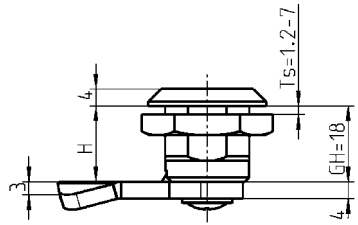
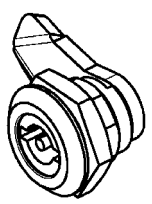


Plastic quarter turn

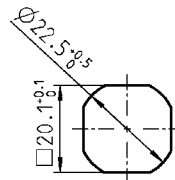
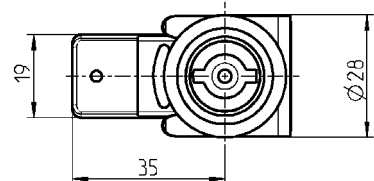
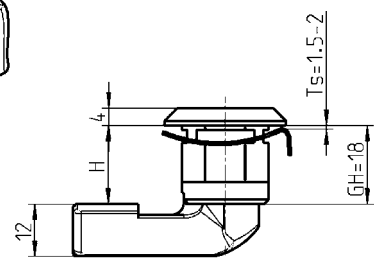
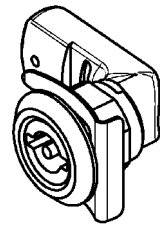
PROGRAM 1000

Nut fixing

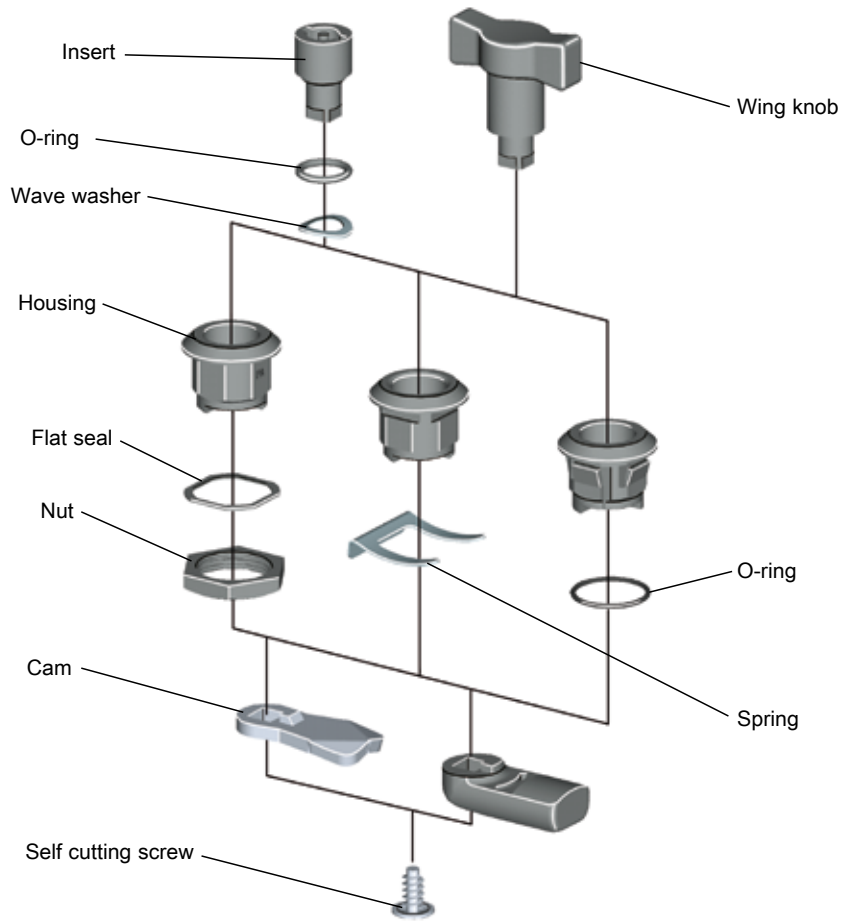


Cut out

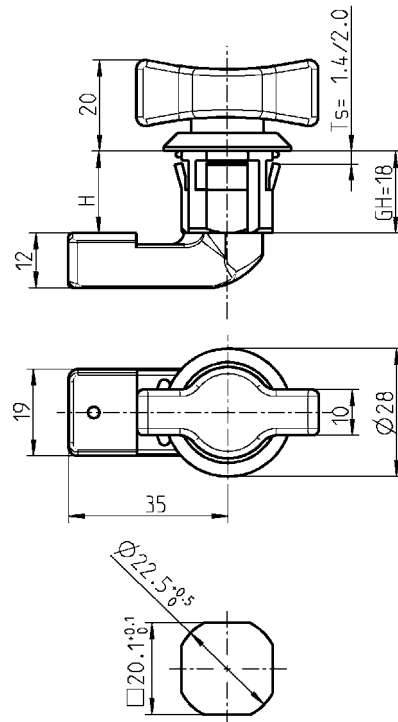
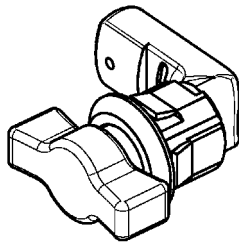
Spring fixing



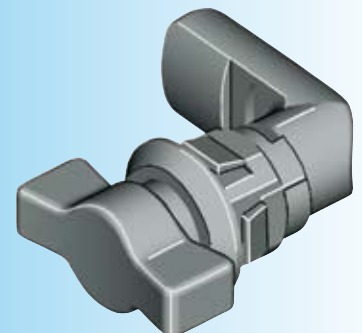
Cut out



Clip-in fixing



Cut out



Housing polyamide GF black with nut or spring fixing AISI 301		Housing polyamide black with O-ring	
*nut fixing	Spring fixing	Ts	clip-in
1000-U675	1000-U709	1,4**	1000-U695
		2,0	1000-U696
Insert polyamide black, wave washer and self cutting screw m.s. zinc plated			
Square 7		1000-U666	
Square 8		1000-U676	
Triangular 8		1000-U667	
Double bit 3		1000-U677	
Double bit 5		1000-U678	
Slot 2 x 4		1000-U679	
Eastern Europe Ø 13		1000-U680	
Wing knob insert (IP 50) IP 65 on request		1000-U711	
Cam on choice			
H	m.s. zinc plate, t=4	polyamide black	
18	1000-5046	1000-386-18	
20	1000-5161	1000-386-20	
22	1000-5119	1000-386-22	
24	-	1000-386-24	
28	1000-5164	1000-386-28	
30	-	1000-386-30	
IP 65 (see housing) with:			
Flat seal (nut fixing only)		1000-23	
O-ring		1000-24	

Note:

Quarter turn assembling 1B-105

Further parts see page

- Insert with wing knob 1B-720
- Handle (only nut fixing) 1C-320
- Dust cap (only nut fixing) 1C-320
- Key 12B-120