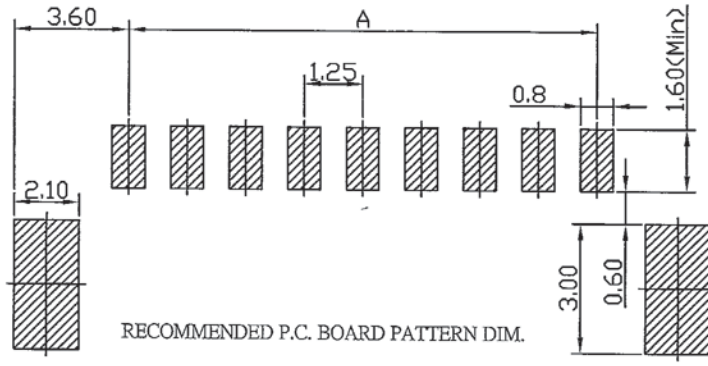
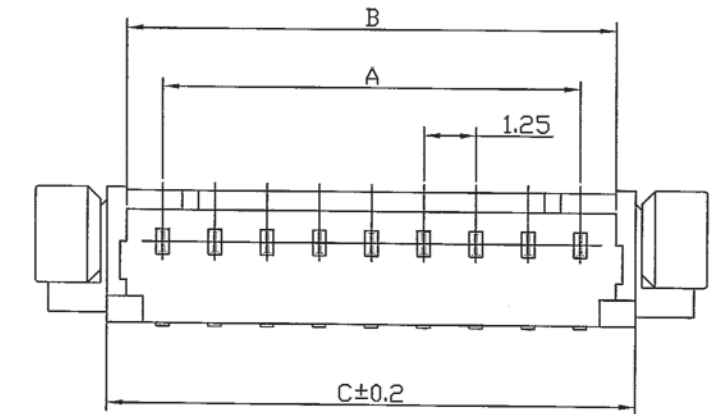
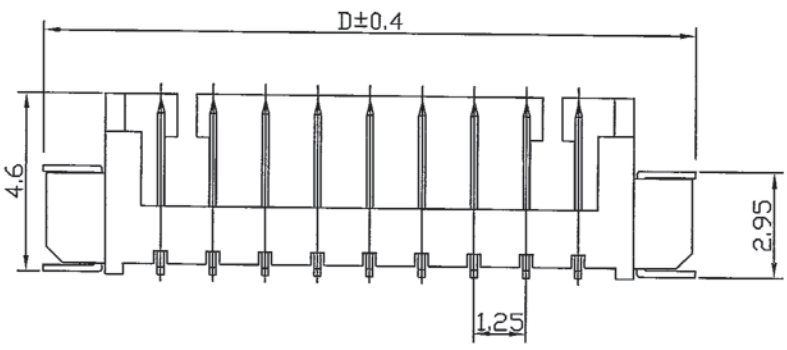


1 2 3 4 5 6 7 8

REV	MODIFICATION	DATE	DRAW
G	EN-08-0538	05.21.08"	SAN
H	EN-08-0719	07.21.08"	SAN
I	ECN2-00000652	2019.02.25	Moya



RECOMMENDED P.C. BOARD PATTERN DIM.



MATERIAL:

WAFER:HIGH TEMPERA TURE PLASTIC
 HTN6T UL94V-0 Natural H/F
 Contact Pin:Phosphor Bronze,Tin Plated Over Nickel
 Tab:Brass,Tin plated Over Nickel

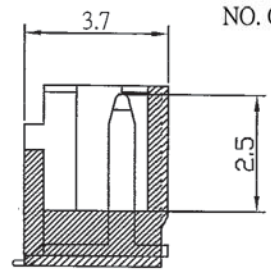
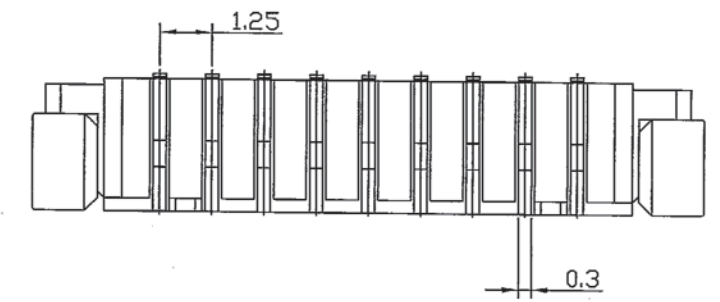
SPECIFICATION:

Current Rating: 1A AC, DC
 Voltage Rating: 125V AC,DC
 Operating Temp.: -40°C ~ +85°C
 Insulation Resistance: 100MΩ/ min.
 Dielectric Withstanding Voltage: 250V AC/ minute
 Contact Resistance: 20mΩ/ max.

CKT.	A	B	C	D
2	1.25	3.05	4.25	7.65
3	2.50	4.30	5.50	8.90
4	3.75	5.55	6.75	10.15
5	5.00	6.80	8.00	11.40
6	6.25	8.05	9.25	12.65
7	7.50	9.30	10.50	13.90
8	8.75	10.55	11.75	15.15
9	10.00	11.80	13.00	16.40
10	11.25	13.05	14.25	17.65
11	12.50	14.30	15.50	18.90
12	13.75	15.55	16.75	20.15
13	15.00	16.80	18.00	21.40
14	16.25	18.05	19.25	22.65
15	17.50	19.30	20.50	23.90

MPHMG-1 xx T1A0T x

NO. OF CONTACT | 0:TUBE
 | 1:T&R
 | 2:REEL+CAP



DIMENSION IN mm [Inch]		PROD. SPEC.	KINGFONT PRECISION INDUSTRIAL CO., LTD.	
TOLERANCE UNLESS OTHERWISE SPECIFIED		PKG. SPEC.	WIRE TO BOARD 1.25mm	
.X±0.25	.X'±	APPROVE <i>Gomy</i>	TITLE WAFER SMT V/T CUSTOMER DRAWING	
.XX±0.15	.XX'±	CHECK <i>Moya</i>	FILE NO.	DWG NO. MPHMG-1xxT1A0Tx
.XXX±	.XXX'±	DRAW <i>Moya</i>	SIZE A4	PROJ. SHEET 1 / 1
			SCALE 1:1	REV I