

METAL
DETECTOR

MD-5500



**MULTI
FREQUENCY**
OPTIONAL



**LCD
DISPLAY**

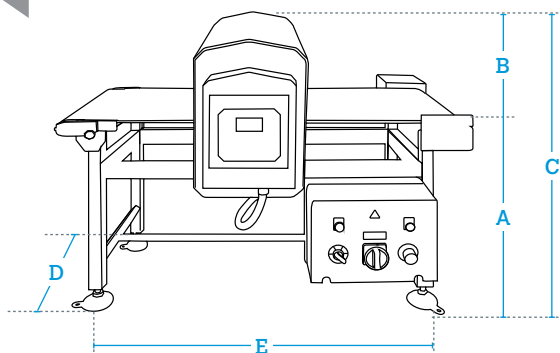


RS-232



**500 PLUs
MEMORY**

DIMENSIONS



DATA IN mm

A	800 - 950 (adjustable legs)
B	302
C	1,102 - 1,252 (A + B)
D	1,106
E	1,385

Measurements for model
MD-5500S 1300/400/500/200.
For other sizes, contact us.

Specifications:

Outstanding functions

- Mono-frequency. Optional multi-frequency.
- Variable conveyor belt speed.
- "Auto-setup" with interference suppression and automatic calibration of sensitivity.
- Digital multi-filter: To guarantee maximum stability in harsh environments.
- Auto-balance: Automatic detection and compensation of any signal changes (example: variations in temperature).
- Precise detection area: Exact location of the metal particle in the detection field for easy separation.
- Auto-monitoring: To control the proper working of the equipment.
- Safety: access protected by three password levels.

Construction

- **Structure:**
 - Painted aluminium tunnel (in AISI 304 stainless steel optional).
 - AISI 304 stainless steel frame.
 - IP66 protection (IP69K optional).
 - Plastic electrical box.
 - Transport conveyor driven by gear-motor.
- **Belts:**
 - Characteristics: Smooth rigid or modular.
- **Console:**
 - 4-keys touchpad and blacklit LCD display.

Communications to PC

- RS-232.

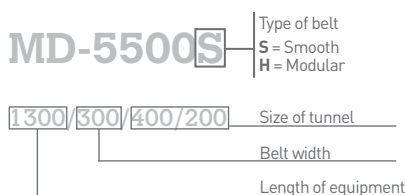
Power supply

- Electrical: 100 - 240 V AC, 50/60 Hz.

Possible integration with other equipment

- Dibal LS-3000, LS-4000 and LS-4000+ automatic weigh-price labellers.
- Dibal CW-3000, CW-4000 and CW-4000+ checkweighers.
- Dibal GW-3000, GW-4000 and GW-4000+ graders.

NAMES OF THE MODELS (EXAMPLE):



MODELS:

MD-5500S 1000/300/350/125

- W300 mm smooth belt.
- Maximum product dimensions:
 - Dry product: W300 x H75 mm.
 - Moist product: W250 x H25 mm.
- Maximum weight on belt: 10 kg.

MD-5500S 1300/300/400/200

- W300 mm smooth belt.
- Maximum product dimensions:
 - Dry product: W300 x H150 mm.
 - Moist product: W300 x H100 mm.
- Maximum weight on belt: 15 kg.

MD-5500S 1500/400/500/300

- W400 mm smooth belt.
- Maximum product dimensions:
 - Dry product: W400 x H250 mm.
 - Moist product: W400 x H200 mm.
- Maximum weight on belt: 15 kg.

MD-5500S 1800/500/600/400

- W500 mm smooth belt.
- Maximum product dimensions:
 - Dry product: W500 x H350 mm.
 - Moist product: W500 x H300 mm.
- Maximum weight on belt: 15 kg.

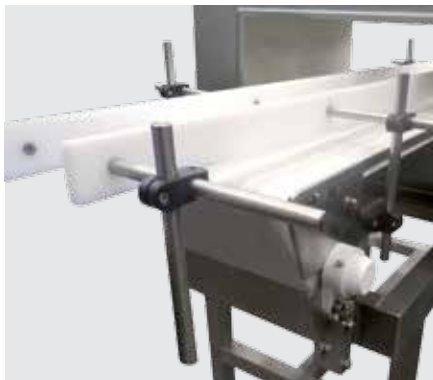
MD-5500H 2000/500/600/400

- W500 mm modular belt.
- Maximum product dimensions:
 - Dry product: W500 x H300 mm.
 - Moist product: W500 x H300 mm.
- Maximum weight on belt: 50 kg.

Options

Option	Characteristics	Ref.
Multi-frequency		Contact us
Other tunnel dimensions	Contact us for dimensions of equipment, product and type of belt available.	Contact us
Light barrier	Necessary for detectors with rejection system.	Contact us
Container filling level detection sensor		Contact us
Set up of equipment		Contact us
Operation from right to left	Standard operation: from left to right.	Contact us
AISI 304 stainless steel tunnel		Contact us
IP69K protection		Contact us
Packed in phytosanitary wood case	Necessary depending on the destination.	Contact us

Accessories



Ref: Contact us

Side guides



Ref: Contact us

4 wheels with brakes

Stud included.



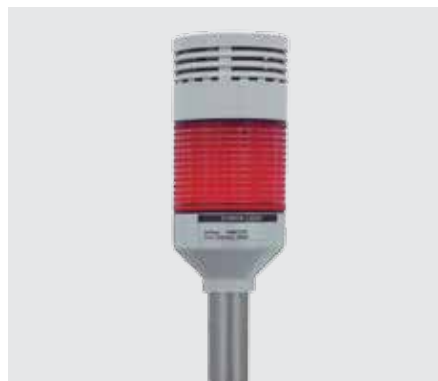
Ref: Contact us

Legs + wheels



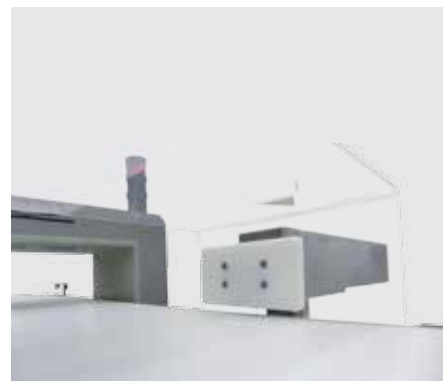
Ref: Contact us

Audible alarm with drawer



Ref: Contact us

24V visual and audible alarm



Ref: Contact us

Rejection by pneumatic piston for products of up to 6 kg
(Contact us for conveyor dimensions).



Ref: Contact us

Rejection by pneumatic piston for products of 6 kg to 25 kg

Only available for modular belt.
(Contact us for dimensions of the belt).



Ref: Contact us

Rejection by rotating blade



Ref: Contact us

Rejection by "Air-jet"



Ref: Contact us

Container for contaminated products



Ref: Contact us

Motorised conveyor

Infeed/output L1,000 x W280 mm conveyor, with smooth belt.



Ref: Contact us

Rollers conveyor

Rollers conveyor for transporting or accumulating products.



Ref: 49MD0KITEST

Test card kit



Ref: Contact us

Certified test card kit