

16-channel analogue acquisition

μLAB.16.ai-19" slide-in

16-channel acquisition module for analogue current or voltage signals in 19" technology

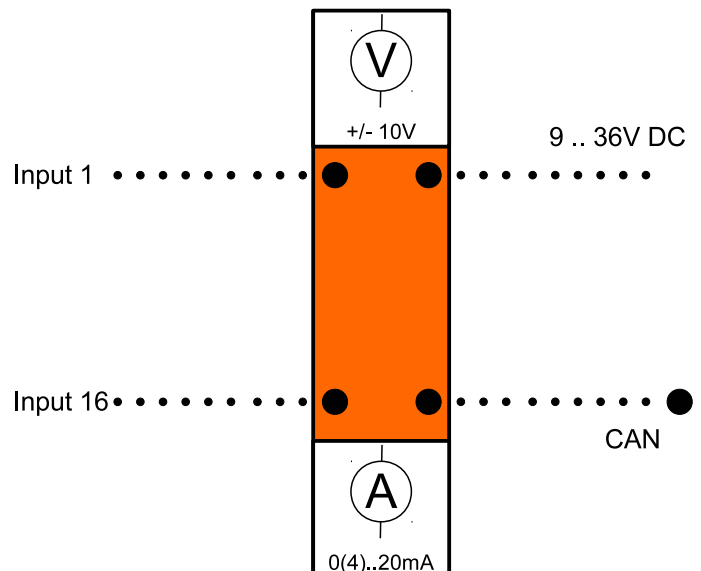
The module is equipped to acquire 16 analogue signals.

Measurement signals are acquired via plug-in connectors in the front plate.



Features

- Analogue acquisition +/-10 V
- Analogue acquisition 0(4)-20 mA
- Acquisition module in 19" technology (1HE, 84TE)
- Standard protocol: CANopen CiA 301, CiA 305, CiA 404 / customer specific CAN / CAN 2.0A and 2.0B



Technical Data	Analogue acquisition μ LAB.16.ai-19"slide-in
Number of channels	16
Power supply voltage	9...36 V DC, reverse polarity protected
Power consumption	8 W (336 mA @ 24 V DC)
Electrical isolation	Channels/control voltage: 500Veff, Fieldbus/control voltage: 500 Veff
Operating temperature	-40 °C...+85 °C
Storing temperature	-40 °C...+85 °C
Bit rate	50 kBit/s to 1 MBit/s
Protocol	CANopen CiA 301, CiA 305, CiA 404 / customer specific CAN / CAN 2.0A and 2.0B
Number of PDOs (CANopen)	8 transmit PDOs (4 measurement values per PDO)
Number of node IDs	4
Configuration	Bit rate and module address via DIP switch
Status indication	none
Protection Class	IP20
Casing	19" technology (1HE, 84TE)
EMC	EN 50082 compliant
Resolution / conversion time	16-bit / 200 Hz (40ms)
Notation	3 decimal digits (e. g.: 4.001V)
Signal type / Accuracy @ 23°C ambient temperature	+/-10 V DC accuracy 0.01% F.S., Input impedance 500 kOhms 0-20 mA accuracy 0.01% F.S., Input impedance 50 Ohms 4-20 mA accuracy 0.01% F.S., Input impedance 50 Ohms

Order Number	Description
41.02.202	μ LAB.16.ai-19"slide-in / voltage 19"slide-in module for acquisition of 16 analogue signals +/-10 V (input impedance approx. 500 kOhms) with CANopen, signal acquisition via circular connector, 24 V DC supply via 5-pole COMBICON connectors, CAN connection via 2 x M12 Binder connectors, 19"slide-in (1.094.171.3.000001) incl. front plate without handles, fuse T2.5A for M12 connectors, manufacturer calibration
41.02.102	μ LAB.16.ai-19"slide-in / current 19"slide-in module for acquisition of 16 analogue signals 0(4)... 20 mA with CANopen, signal acquisition via circular connector, 24 V DC supply via 5-pole COMBICON connectors, CAN connection via 2 x M12 Binder connectors, 19"slide-in (1.094.171.3.000001) incl. front plate without handles, fuse T2.5A for M12 connectors, manufacturer calibration