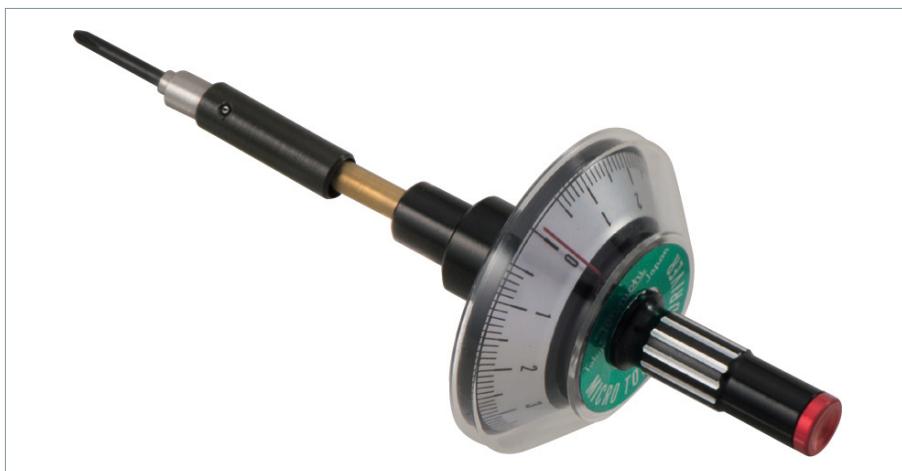


# Indicating Torque Screwdriver – MTD



## Dial Indicating Torque Screwdriver for very low Torque Values

Tohnichi's MTD series torque screwdriver is designed for inspection and measuring of very low torque with precision.

Suitable for inspection and tightening of very small screws, e.g. small torque motor shafts or the like. Torsion bar mechanism makes accurate measurement possible.

With bi-directional scale plate, it can be used for both retightening and loosening torque testing methods. Red pointer indicates the achieved peak torque.

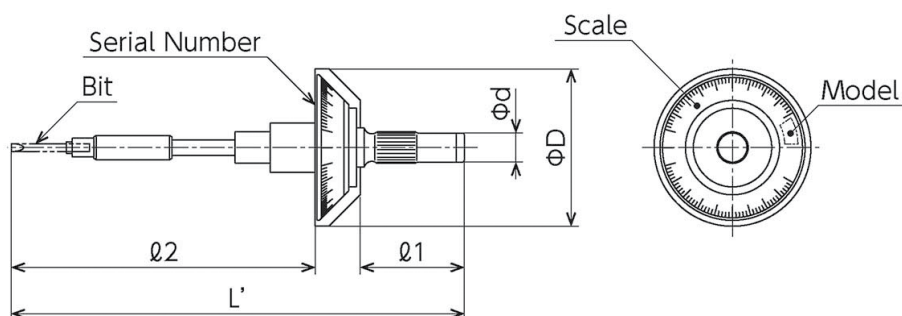
Applicable for international use including the EU region. Compliant with calibration procedures of **EN ISO 6789** Type I Class D.

Tohnichi special-purpose bits for MTD are included as standard accessories:

- PH 0
- SL 0.15x1, 0.2x1.5, 0.3x2 mm

### INFO

- ▶ Easy to read dial.
- ▶ Peak torque indication via red pointer.
- ▶ Bi-directional scale plate for both directions (right/left).
- ▶ Accuracy  $\pm 3\%$  FSD.
- ▶ Original Tohnichi Bits included.
- ▶ International Traceable Calibration Certificate (ISO/JCSS).



### MTD – S.I.

Model	Item No.	Torque Range * mN·m	Graduation mN·m	L' mm	L1 mm	L2 mm	øD mm	ød mm	Weight kg	Bit Insert
MTD5MN	T201069	0.5 - 5	0,1	99,5	26,5	71,5	40	8	0.021	ø2
MTD10MN	T201072	1 - 10	0,2	132	26,5	94	40	8	0.023	ø2

### MTD – imperial

Model	Item No.	Torque Range * ozf·in	Graduation ozf·in	L' mm	L1 mm	L2 mm	øD mm	ød mm	Weight kg	Bit Insert
MTD07Z	T201071	0.1 - 0.7	0.02	99.5	26.5	71.5	40	8	0.021	ø2
MTD1.4Z	T201074	0.2 - 1.4	0.02	132	26.5	94	40	8	0.023	ø2



Further info on our website.  
24/7

\* Table showing specifications by manufacturer. Usage in moderate performance range (approx. 1/3 to 4/5 of rated capacity) is recommended. If you regularly worked close to the limit of load (maximum capacity), a larger model or tool might be more advisable.