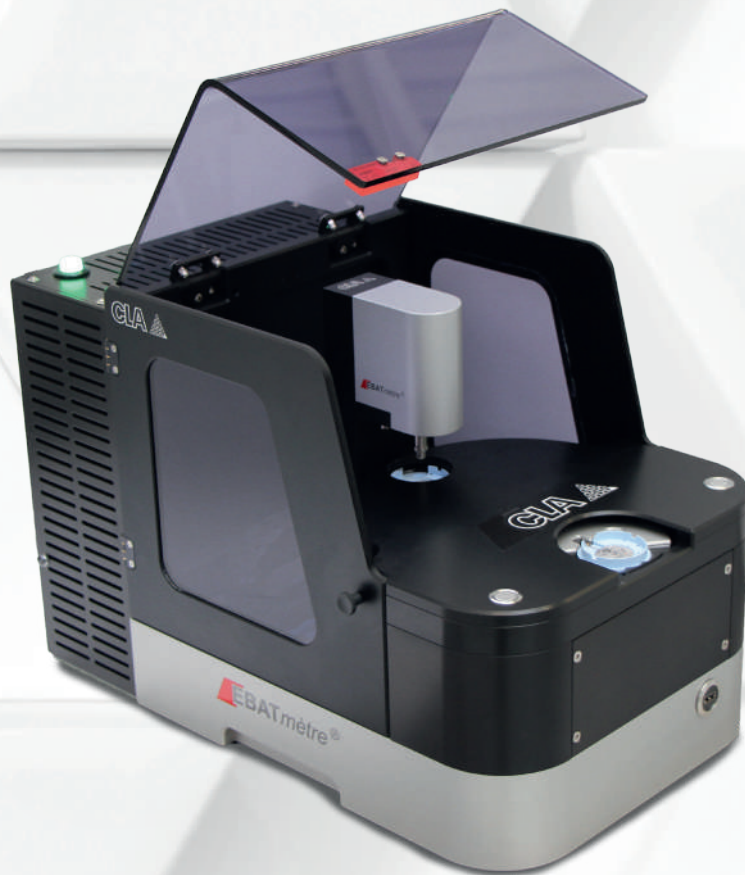


EBAT*mètre*®

Your metrology tool



Copyright © CLA all rights reserved



Clearance measurement instrument



The EBATmètre is a high-precision multi-calibre equipment for the measurement of the endshake of mechanical watch movements, because it guarantees optimal conditions at each measuring point.

Measuring device for multi-calibre end-plays of arbors (Shake)	Available in a production line or stand-alone	Programs editable by reference	Configurable applied force control per measuring point
Consideration of deformation	Recording of measured values	Automatic measurement stabilizer	Supervision and interconnection of data using OMSviewer
Retouch terminal (paperless)			

The EBATmètre is a device for measuring height possibilities (measuring clearance). It is principally used to measure the moving parts of a mechanical watch movement. The device may be integrated into the SMS transportation system enabling automatic measurement in the assembly line or as a stand-alone device.

OPERATING PRINCIPLE

The mechanism is placed into a working insert that ensures the accuracy of the location of the mechanism. The set is then deposited onto the EBATmètre which only handles the insert. The test head is mounted in an XY accuracy table so that all moving parts of the mechanism can be reached. The tailstocks that are in contact with the moving parts are compatible, if possible, with all moving parts being measured. It is also not necessary to switch tools when measuring different reference gauges. If necessary, the latter are interchangeable.

In order to ensure that the measurement is accurate, the force applied to the moving parts whilst measuring is controlled and configured by the measuring point. Furthermore, the device takes into account a distortion with a different deck for each measuring point. The measured values are displayed on the control interface of the EBATmètre. They may be printed or stored in the database according to the desired production model.

INTEGRATION IN THE PRODUCTION LINE

The SMS transportation systems proposed by CLA consist of standard and modular elements that allow the conjurations to be upgraded. It is also possible to import small independent production units that are supervised and linked by computer to the OMS software. These small production units may, if necessary, be subsequently joined to form a single SMS line. The EBATmètre can be integrated to obtain an automatic measurement. The measurement programmes are automatically selected due to individual management using RFID recognition

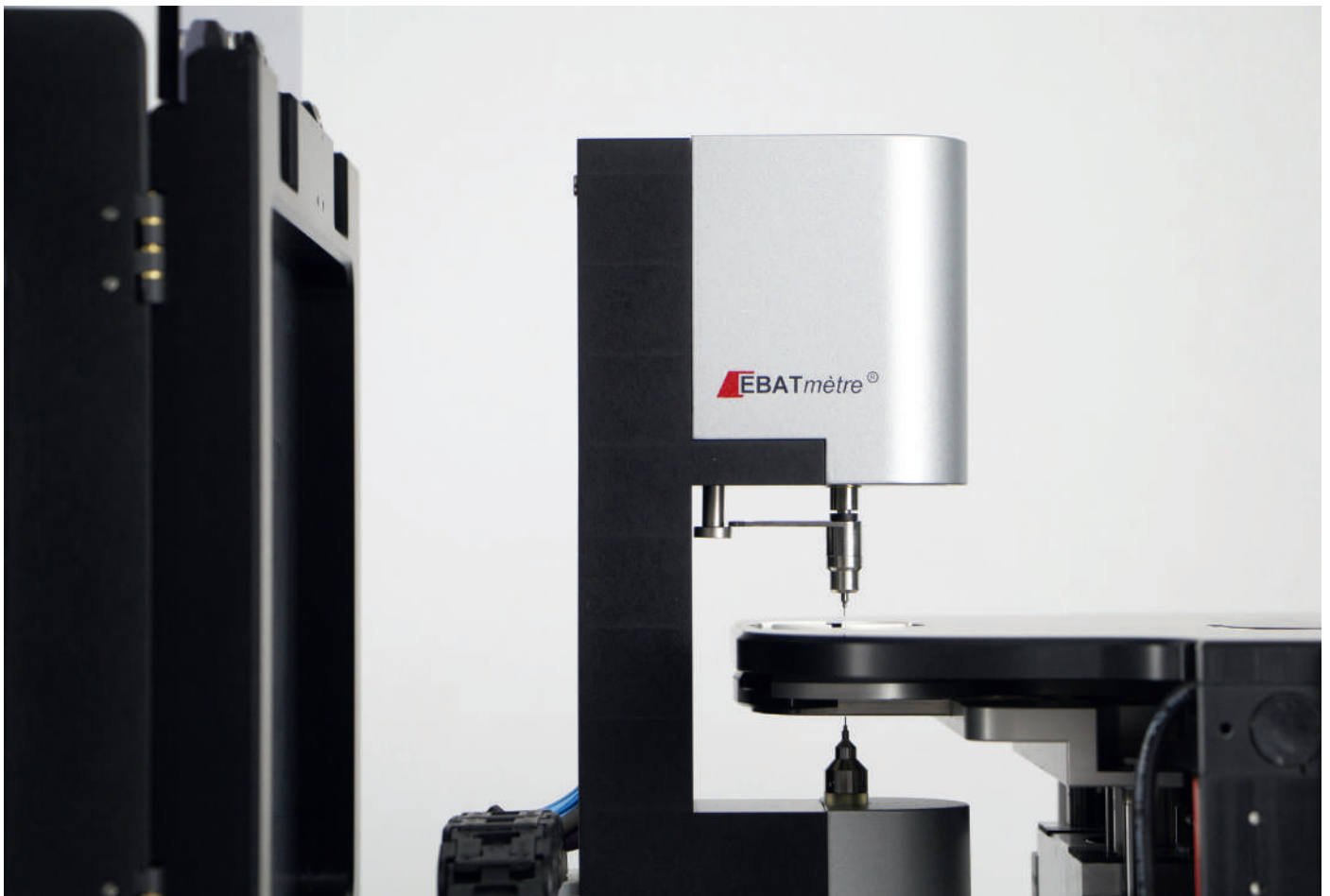


EBAT*mètre* OFFLINE

As it is very compact, the EBAT*mètre* can be integrated into a workbench for taking individual measurements. Thanks to its rotating disc, the loading is masked. The interface between the operator and the device allows the measurement programmes to be selected and edited. The bar code reader can be connected for capturing data as well as a printer for printing the measured values. The device also provides the possibility of linking to the OMS software in order to keep the measured values in the database. It is also possible to consult the measured values and to generate statistics from them using the supervision software OMSviewer.

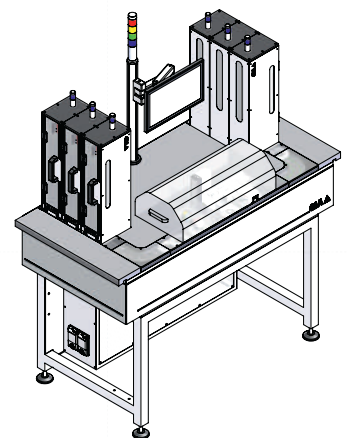
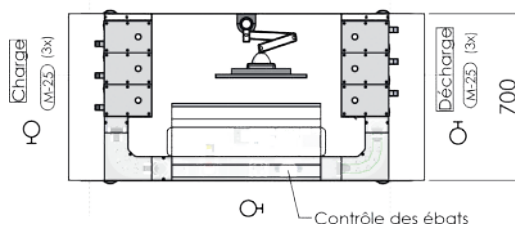
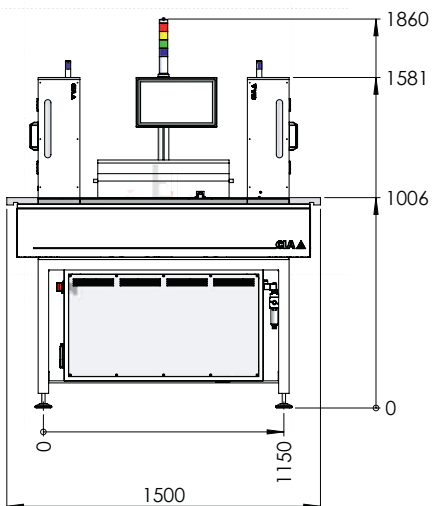
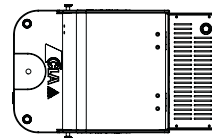
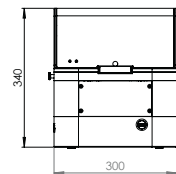
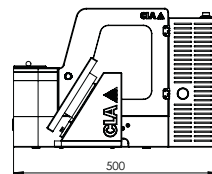
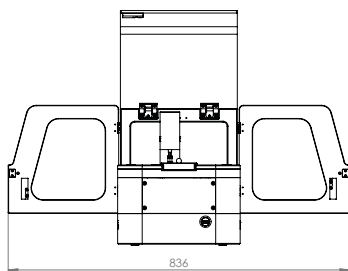
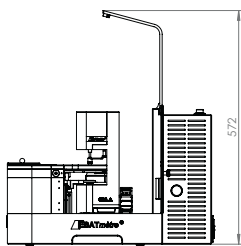
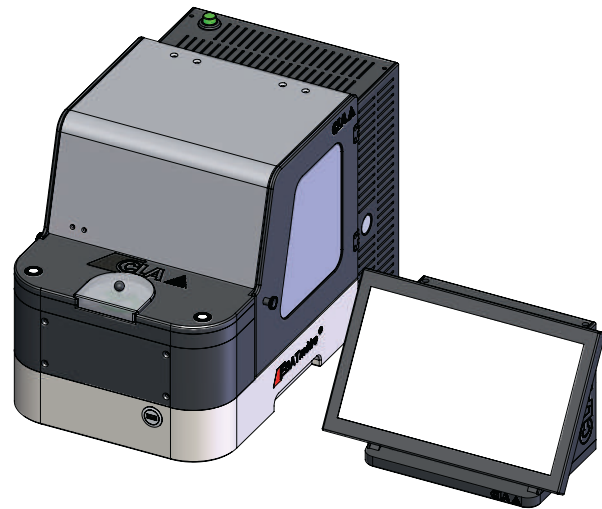
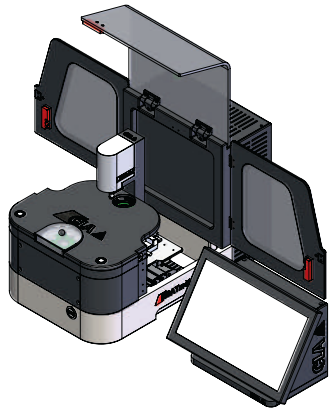
CLAsatellite terminal

The connection to the OMS software provides additional developmental prospects. The item is identified using RFID recognition and this system primarily allows a CLAsatellite terminal to be linked via computer to display the measured values that were obtained. In this way, you can carry out alterations on items that are out-of-tolerance without printing your values.



EBAT^{mètre}[®]

Your metrology tool



For companies in the watchmaking, medical and micro engineering fields, CLA is a supplier of solutions for complex part assembly and advanced micro-couple measurement because it produces Swiss made, flexible, scalable and connected equipment that ensures complete traceability of production data.

More info on our website www.cla.ch

CLA Clinical Laboratory Automation SA
Route de la Communance 49
CH-2800 Delémont
Tél. +41 (0)32 421 44 90
Fax. +41 (0)32 421 44 91
ventes@cla.ch