



DATASHEET

QUICK CHANGER
DUAL QUICK CHANGER
QUICK CHANGER FOR I/O
QUICK CHANGER TOOL SIDE

V1.2

1 Datasheet

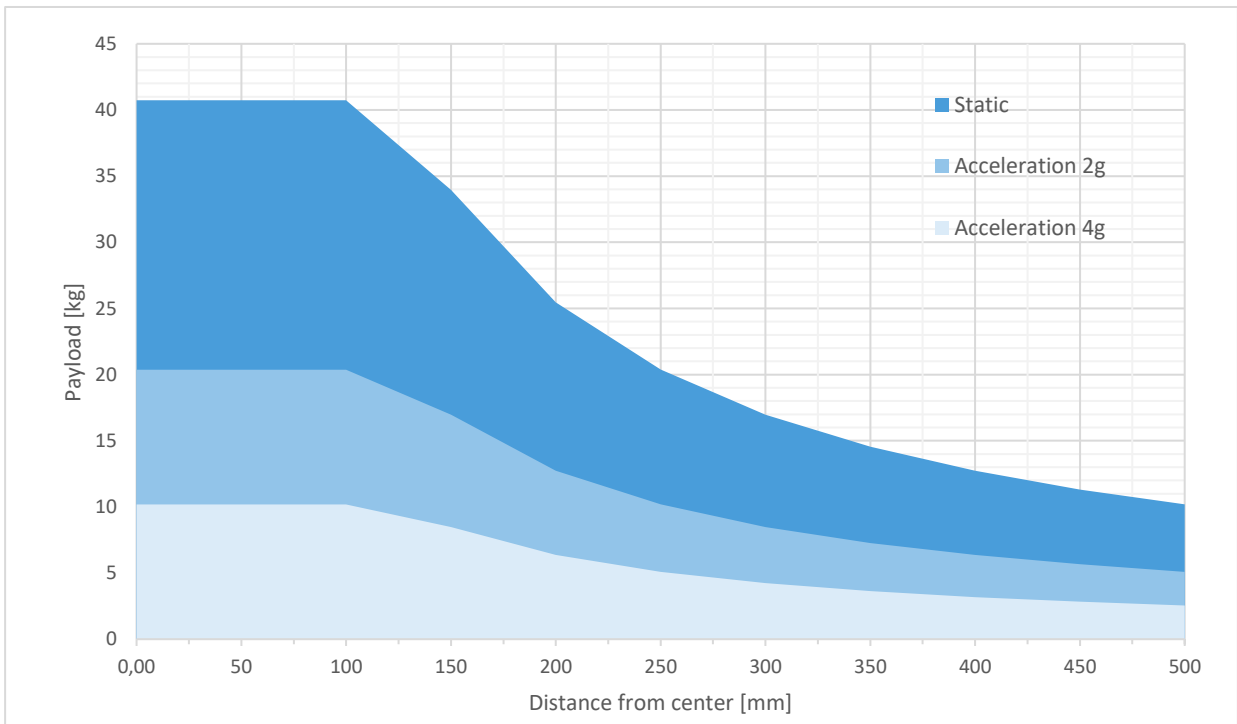
If not specified, the data represent the combination of the different Quick Changer types/sides.

| Technical data | Min | Typical | Max | Units |
|----------------------------------|-----|---------|-----------|---------------|
| Permissible force* | - | - | 400* | [N] |
| Permissible torque* | - | - | 50* | [Nm] |
| Rated payload* | - | - | 20* 44 | [kg] [lbs] |
| Repeatability | - | - | ±0.02 | [mm] |
| IP Classification | 67 | | | |
| Operating life (Tool change) | - | 5.000 | - | [cycles] |
| Operating life (Robot operation) | 10 | - | - | [M cycles] |

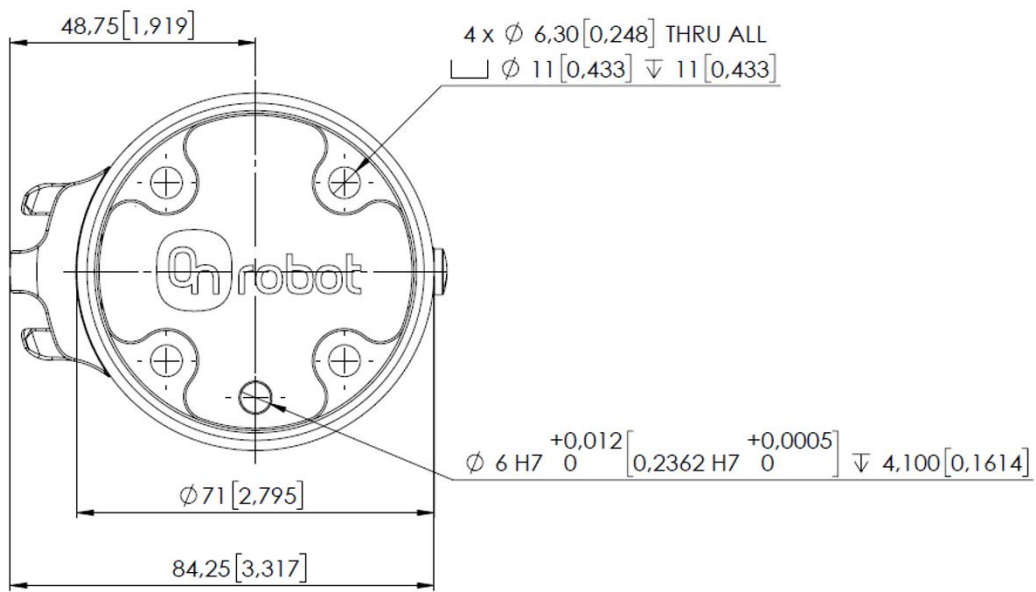
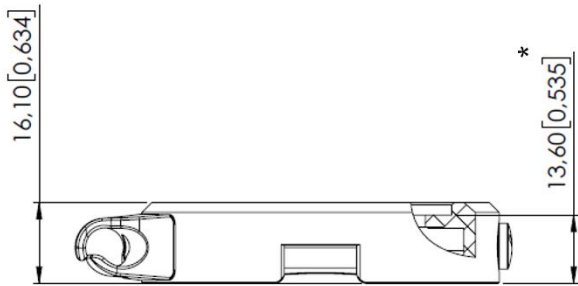
* See load capacity graph below.

| | Quick Changer | Quick Changer for I/O | Dual Quick Changer | Quick Changer - Tool Side | Units |
|------------|----------------------------------|-----------------------|--------------------|---------------------------|-------|
| Weight | 0.06 | 0.093 | 0.41 | 0.14 | [kg] |
| | 0.13 | 0.21 | 0.9 | 0.31 | [lb] |
| Dimensions | See Mechanical dimension section | | | | |

Load capacity



Quick Changer - Robot side



* Distance from Robot flange interface to OnRobot tool.

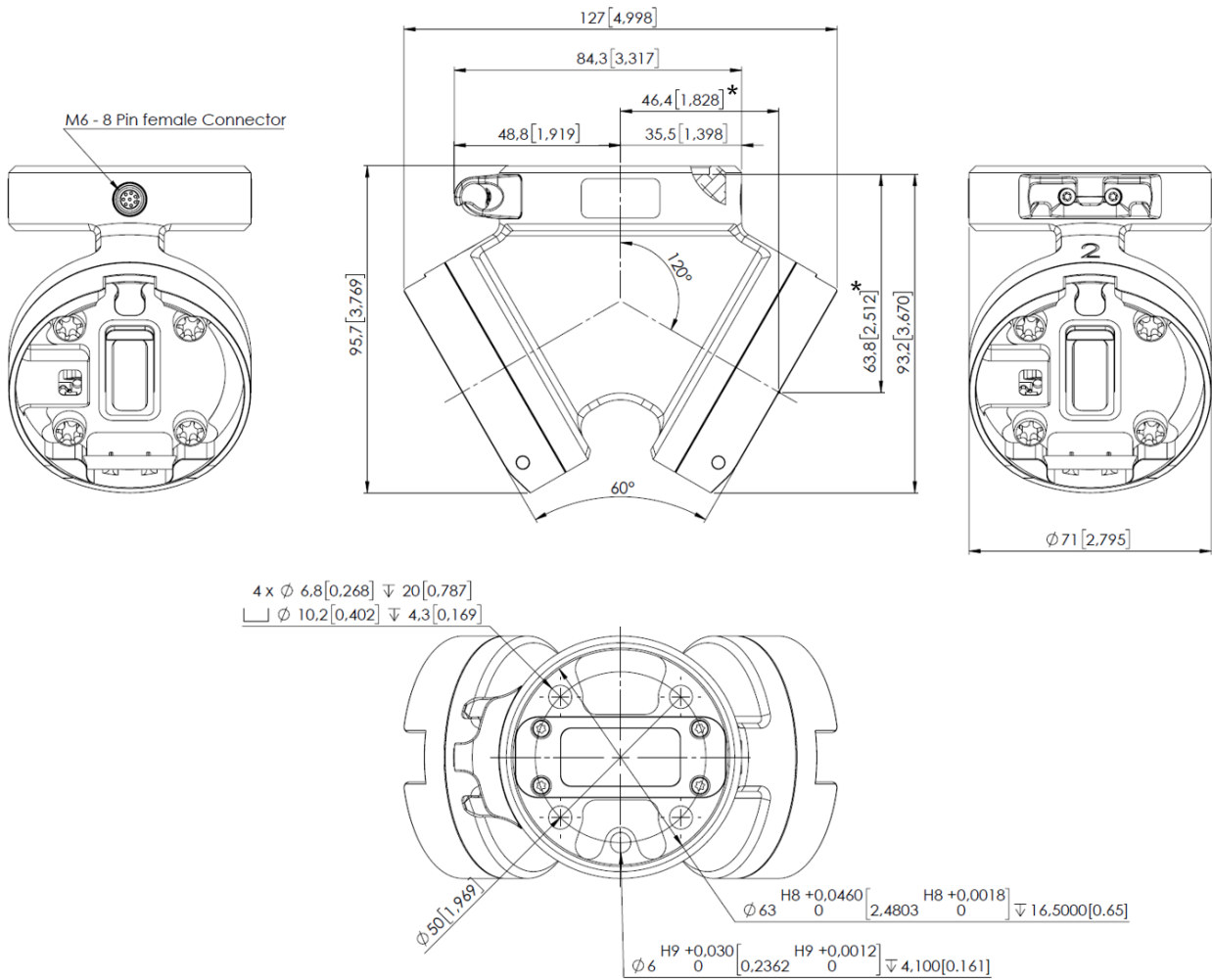
All dimensions are in mm and [inches].



NOTE:

The cable holder (on the left side) is only required with the long (5 meter) cable.

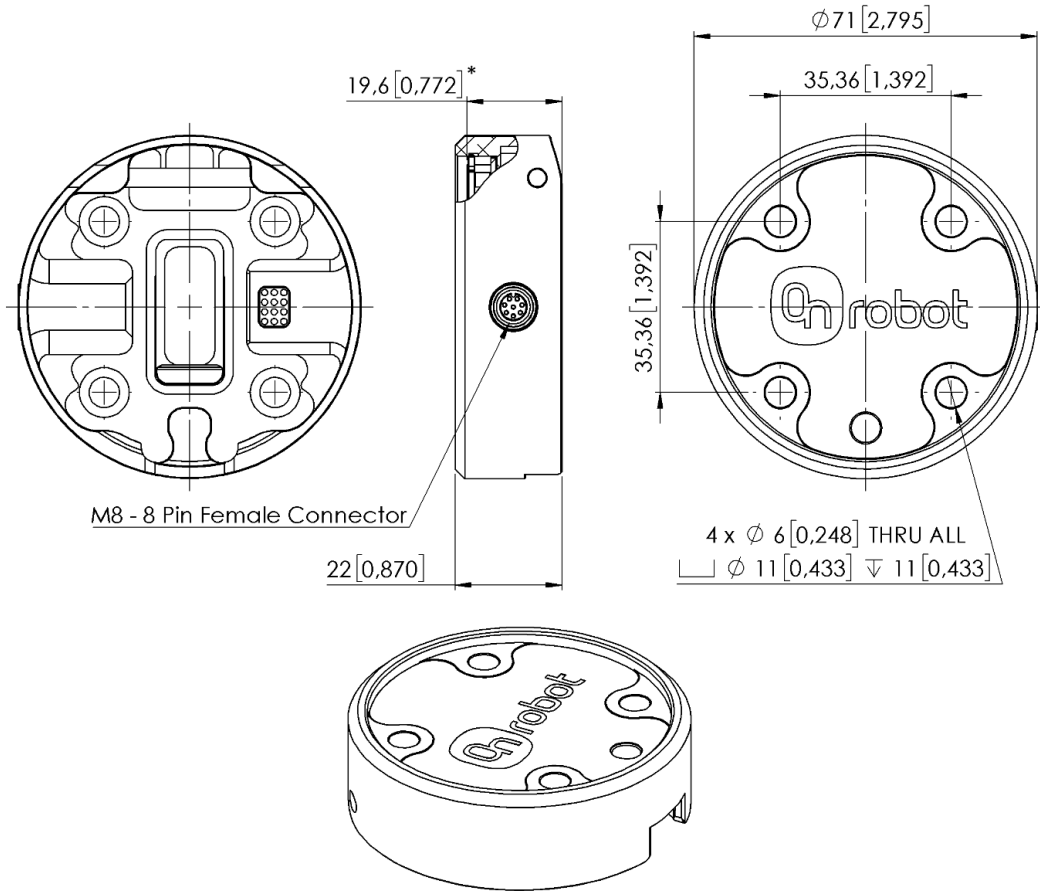
Dual Quick Changer



* Distance from Robot flange interface to OnRobot tool

All dimensions are in mm and [inches].

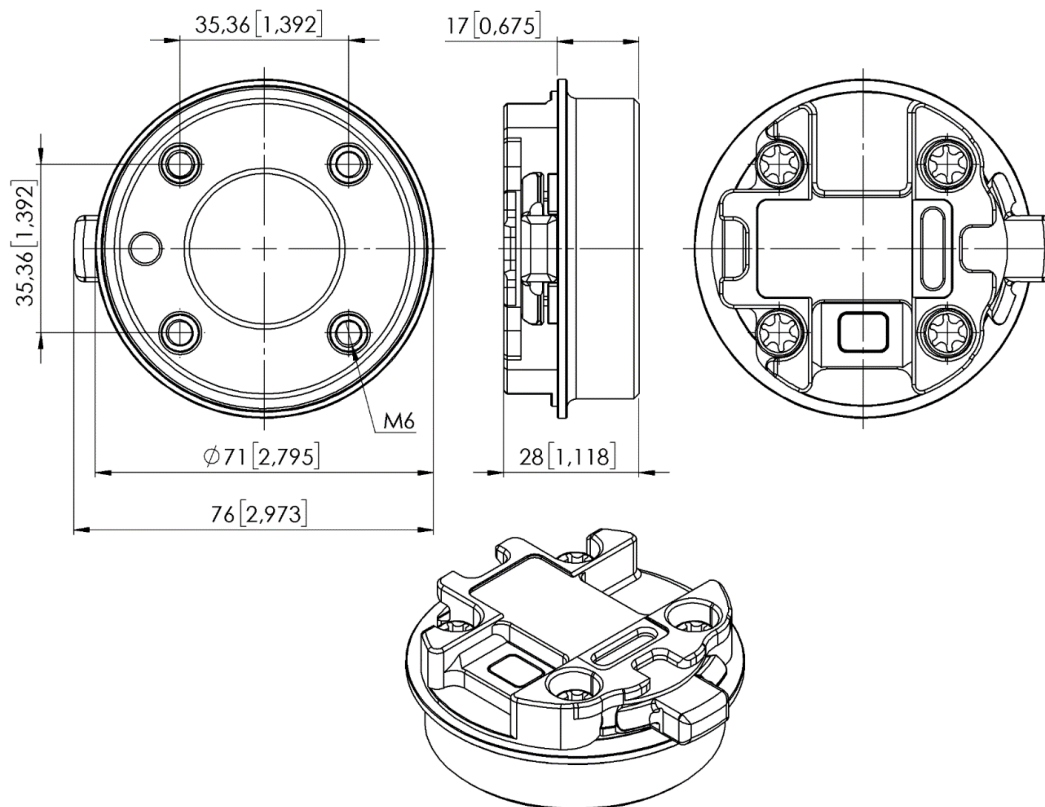
**Quick Changer
for I/O - Robot
side**



* Distance from Robot flange interface to OnRobot tool

All dimensions are in mm and [inches].

**Quick Changer -
Tool side**



All dimensions are in mm and [inches].