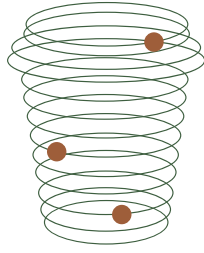


CUPERNICAN

A Paper Cup Company
on a Revolutionary Mission



CUPERNICAN

A Paper Cup Company
on a Revolutionary Mission

JUST HAVE A WISH TO HAVE
your own paper cup

DESIGNING

PRINTING

PRODUCING

PACKAGING

DELIVERY

STORAGE



YOUR PAPER CUPS IN FIVE STEPS

1. CONTACT US

Contact us through the website, via email or by phone and let us know you are interested in the custom printed cup service. The team will be happy to help and will get you in contact with the right person.



+37065754334



sales@cupernican.com



cupernican.com



2. CHOOSE YOUR PRODUCT

Single Wall: **4oz / 6oz / 7oz / 8oz / 10oz / 12oz** and **16oz**
Double Wall Ripple: **8oz** and **12oz**

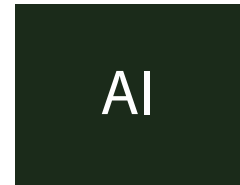
(Biodegradable and non-biodegradable options)



YOUR PAPER CUPS IN FIVE STEPS

3. DESIGN YOUR CUP

Please send artwork in either an Illustrator format (AI. or EPS.)
Alternatively, you can send in a working PDF. file.



HOW MANY CUPS DO YOU NEED?

Choose their size, quantity, additional accessories



CREATE AN INDIVIDUAL CUP DESIGN!

You can create a design yourself or tell us your idea – we will implement it professionally



USE THE CUPS MADE!

Delivery of cups with individual design – from 15 working days

YOUR PAPER CUPS IN FIVE STEPS

4. PRINT

All products are printed in flexo using water based inks. Print with Pantone colors and CMYK.

PANTONE®



5. SIGN OFF

We have three parts to complete our sign off process. All parts must be completed in order to go any further with the process.

The first part is the artwork acknowledgement form.

The second part is to sign the final artwork template when you are happy with this. Then simply scan this back in and send to us.

The final part, you may also need to pay a deposit fee in order for manufacture to begin. There is also the option to have us hold stock for you for a set period of time. This agreement will be available on request, just talk to your representative to see if this is an option for you.

TOLERANCE

Quantity for individually designed cups:
+/- 10 %
Defect: max 0.2 %

ALL DONE

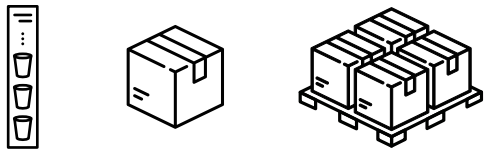
When all of the relevant forms and artwork sign off has been completed, we can then go ahead and process the cups. Delivery will be approximately 4 - 6 weeks, when all elements of sign off have been satisfied. We can offer other services, depending on your requirements. Still have questions? No problem, please do not hesitate to contact us.

www.cupernican.com

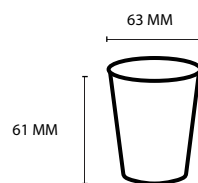
SINGLE WALL PAPER CUPS

Single Wall Paper Cups are suitable for all hot drinks. They are manufactured and printed to the best product and print quality from your design idea or ideas developed at our design center on your behalf.

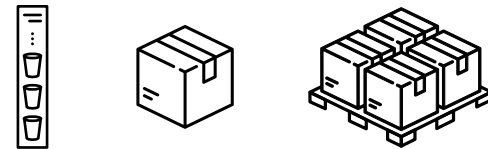
4oz / 118ml



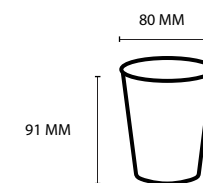
64 pcs. 2304 pcs. 69 120 pcs.



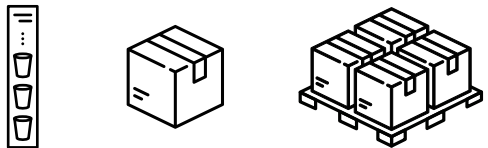
8oz / 237ml



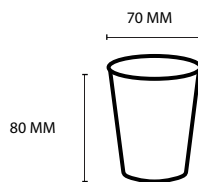
64 pcs. 1472 pcs. 44 160 pcs.



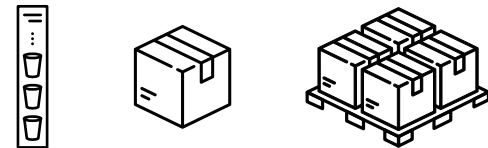
6oz / 177ml



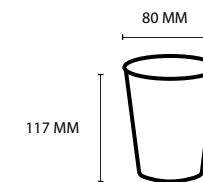
75 pcs. 2250 pcs. 67 500 pcs.



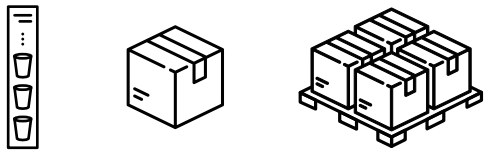
10oz / 296ml



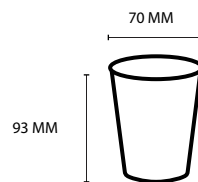
50 pcs. 1150 pcs. 34 500 pcs.



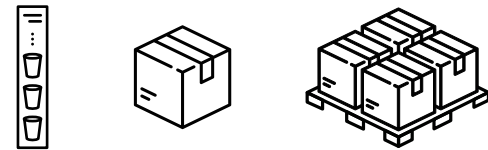
7oz / 181ml



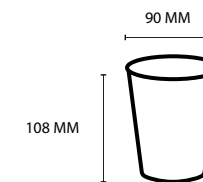
70 pcs. 2100 pcs. 63 000 pcs.



12oz / 355ml



50 pcs. 800 pcs. 24 000 pcs.



4oz / 6oz / 7oz / 8oz / 10oz / 12oz
Custom design



4oz / 8oz / 12oz
Your favorite drink



4oz
Capitals



7oz / 10oz
Coffee time city



8oz / 12oz
Black



8oz
Capitals



8oz
City day



8oz
City night



12oz
Capitals



8oz
Winter cup



8oz
Lithuanian



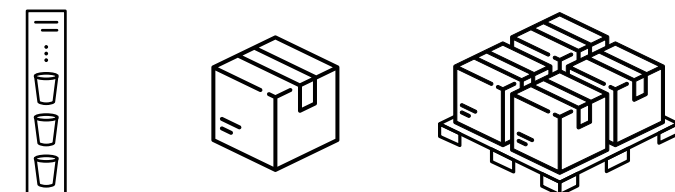
8oz / 12oz
Newspaper



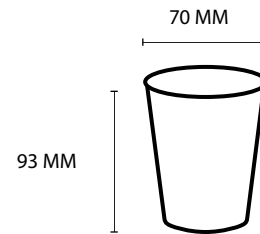
PAPER CUPS FOR VENDING MACHINES

Our **paper vending** cups offer vending operators a trouble free vend and its customers a premium vending experience. The range offers branded paper vending cups and our vending cups all available in 7oz and 10oz sizes. We also have plastic lids to fit our paper vending range.

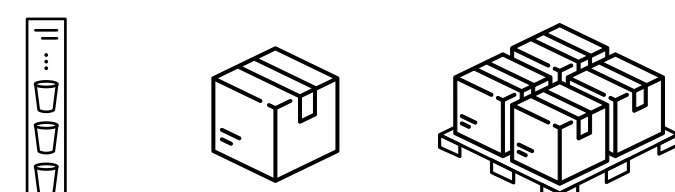
7oz / 181ml



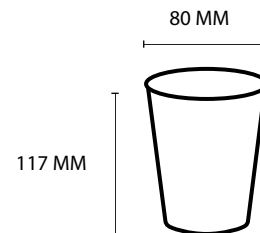
70 pcs. 2100 pcs. 63 000 pcs.



10oz / 296ml



50 pcs. 1150 pcs. 34 500 pcs.



SINGLE WALL BIODEGRADABLE PAPER CUPS

Single wall biodegradable paper cups are made of ISLA Duo paper board produced by Finnish company Kotkamills.

Let's be more friendly to the environment!



SINGLE WALL BIODEGRADABLE PAPER CUPS

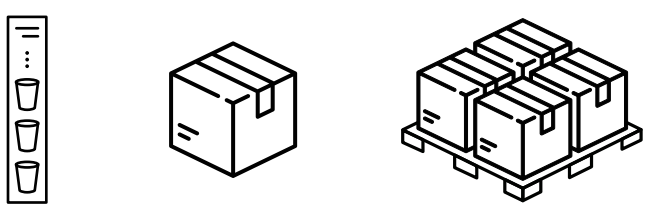


- Water-based dispersion barrier instead of traditional plastic coatings
- Fully recyclable
- Produced from virgin fibres, making the products safe and hygienic
- Sustainably made from traceable fibre raw materials procured from certified Nordic forests
- Unique water-based dispersion coated barrier board is fully recyclable and repulpable. After use, cups made of ISLA® barrier board can be easily recycled along with normal paper and board waste.

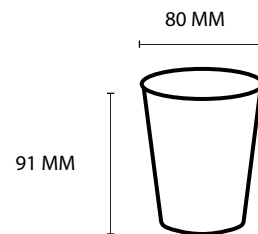
DOUBLE WALL RIPPLE PAPER CUPS

Double wall ripple paper cups provide a nice insulation to your fingers from hot liquids in the cup. Double wall cups are ideal for hot drinks.

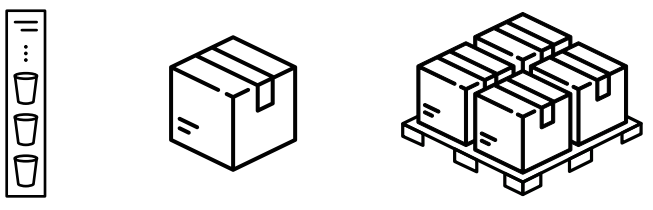
8oz / 237ml



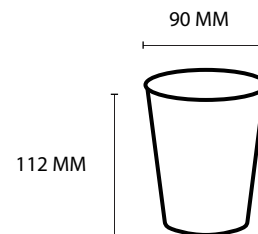
20 pcs. 700 pcs. 16 800 pcs.



12oz / 355ml



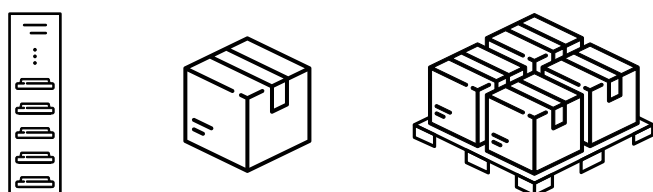
15 pcs. 720 pcs. 12 960 pcs.



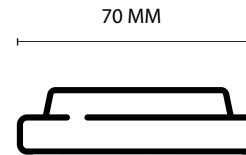
LIDS

OPACK offers perfectly matching sipper lid for every size of cup in the product range. Paper cup matching lids come in two colors, white and black. OPACK lids fit tightly around all of our styles of coffee cups. Use of OPACK lids facilitates the transportation of the coffee cup, by preventing spills and contamination of the beverage.

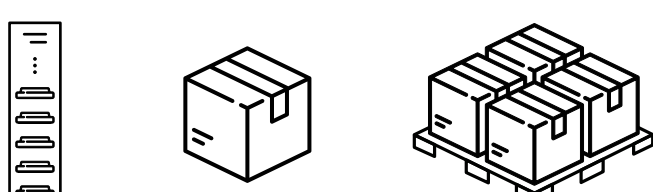
Suitable for 6/7oz



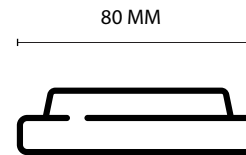
100 pcs. 1000 pcs. 56 000 pcs.



Suitable for 8/10oz



100 pcs. 1000 pcs. 44 000 pcs.



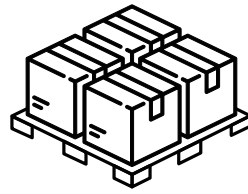
Suitable for 12oz



100 pcs.

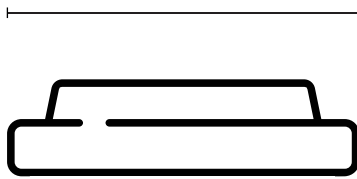


1000 pcs.



36 000 pcs.

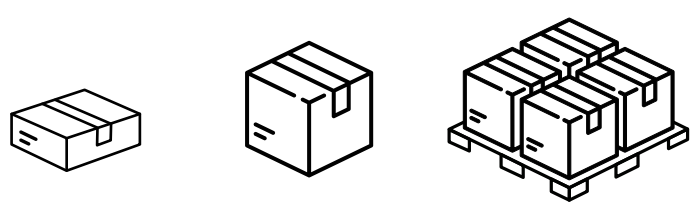
90 MM



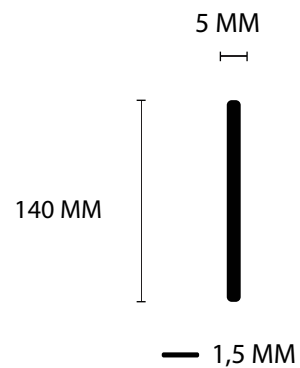
STIRRERS

OPACK wooden and plastic stirrers provide convenience and ease to prepare beverages whether you're sipping at a desk while working or taking it on the go.

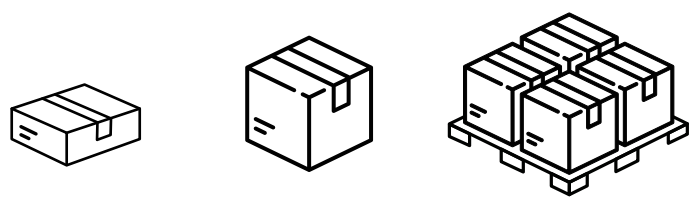
WOODEN / 140MM / 5MM / 1,5MM



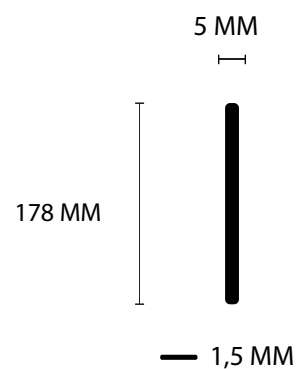
1000 pcs. 10 000 pcs. 500 000 pcs.



WOODEN / 178MM / 5MM / 1,5MM

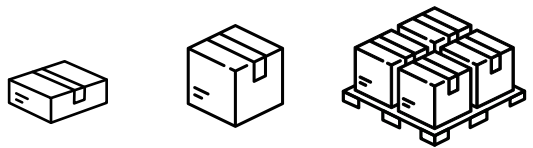


1000 pcs. 10 000 pcs. 500 000 pcs.

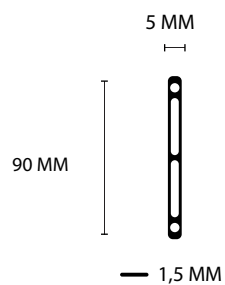


STIRRERS

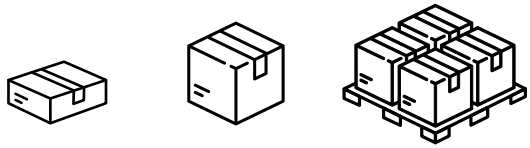
PLASTIC / 90MM / 5MM / 1,5MM



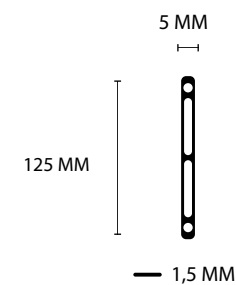
2500 pcs. 25 000 pcs. 800 000 pcs.



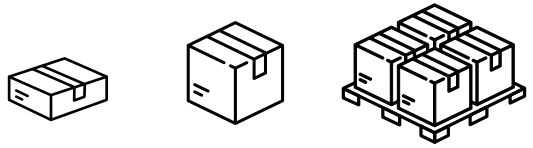
PLASTIC / 125MM / 5MM / 1,5MM



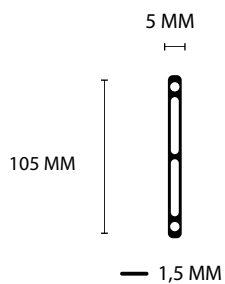
Order not available 25 000 pcs. 577 500 pcs.



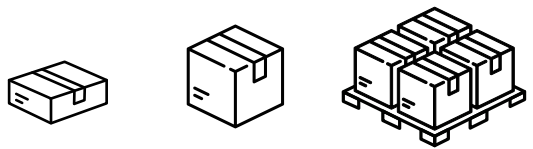
PLASTIC / 105MM / 5MM / 1,5MM



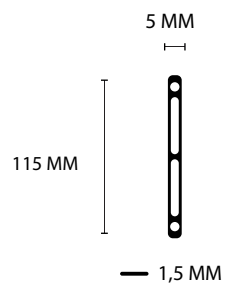
2500 pcs. 25 000 pcs. 800 000 pcs.



PLASTIC / 115MM / 5MM / 1,5MM



2500 pcs. 25 000 pcs. 600 000 pcs.



OUR MEMBERSHIP



MANAGEMENT STANDARDS



PRODUCT CERTIFICATION



The mark of responsible forestry



TECHNICAL PARAMETERS

PRODUCT	SIZE	CUPS PER SLEEVE	SLEEVES PER BOX	CUPS PER BOX	BOX DIMENSIONS (CM) H/L/W	WEIGHT (KG) PE CUPS	
SINGLE WALL PAPER CUPS	4 OZ, 118 ML	64	36	2304	50/40/40	10	
		50	36	1800	40/40/40	8	
	6 OZ, 177 ML	75	30	2250	50/40/40	12,4	
	7 OZ, 181 ML	70	30	2100	50/40/40	13,7	
		50	30	1500	40/40/40	10,12	
	8 OZ, 237 ML	64	23	1472	50/40/40	11,37	
		50	23	1150	40/40/40	9,12	
		50	20	1000	40/40/40	8,05	
	10 OZ, 296 ML	50	23	1150	50/40/40	10,3	
		65	23	1495	62/40/40	13	
	12 OZ, 355 ML	50	18	900	50/40/40	10,03	
	SIZE	BOXES PER PALLET	CUPS PER PALLET	PALLET HEIGHT (CM)	PALLET WEIGHT (KG)	CUPS PER 33 PALLETS (90M3 TRUCK)	CUPS PER 38 PALLETS (120M3 TRUCK)
	4 OZ, 118 ML	24	55 296	215	249	1 824 768	2 101 248
		30	69 120	265	309	2 280 960	2 626 560
		30	54 000	215	249	1 782 000	2 052 000
		36	64 800	265	297	2 138 400	2 462 400
	6 OZ, 177 ML	24	54 000	215	307	1 782 000	2 052 000
		30	67 500	265	381	2 227 500	2 565 000
	7 OZ, 181 ML	24	50 400	215	339	1 663 200	1 915 200
		30	63 000	265	421	2 079 000	2 394 000
30		45 000	215	313	1 485 000	1 710 000	
8 OZ, 237 ML	36	54 000	265	374	1 782 000	2 052 000	
	24	35 328	215	282	1 165 824	1 342 464	
	30	44 160	265	350	1 457 280	1 678 080	
	30	34 500	215	283	1 138 500	1 311 000	
8 OZ, 237 ML	36	41 400	265	338	1 366 200	1 573 200	
	30	30 000	215	251	990 000	1 140 000	
	36	36 000	265	299	1 188 000	1 368 000	
	24	27 600	215	256	910 800	1 048 800	
10 OZ, 296 ML	30	34 500	265	317	1 138 500	1 311 000	
	24	35 880	265	322	1 184 040	1 363 440	
12 OZ, 355 ML	24	21 600	215	250	712 800	820 800	
	30	27 000	265	310	891 000	1 026 000	

TECHNICAL PARAMETERS

PRODUCT	PAPER GRAMMATURE	CAPACITY, ML	CAPACITY, OZ	CUP HEIGHT	CUP WIDTH	PCS. PER SLEEVE	PCS. PER BOX	PCS. PER PALLET
DOUBLE WALL RIPPLE CUPS WITH STANDART DESIGN	215GSM+15 PE +260GSM	237 ML	8 OZ	91 MM	89 MM	20 PCS.	700 PCS.	16800 PCS.
	235GSM+15 PE +260GSM	355 ML	12 OZ	112 MM	90 MM	15 PCS.	720 PCS.	12960 PCS.
PRODUCT	COLOUR			WIDTH	SUITABLE FOR	PCS. PER SLEEVE	PCS. PER BOX	PCS. PER PALLET
PS LIDS	WHITE			70 MM	7 OZ	100 PCS.	1000 PCS.	56000 PCS.
				80 MM	8/10 OZ	100 PCS.	1000 PCS.	44000 PCS.
				90 MM	12/16 OZ	100 PCS.	1000 PCS.	36000 PCS.
	BLACK			70 MM	7 OZ	100 PCS.	1000 PCS.	56000 PCS.
				80 MM	8/10 OZ	100 PCS.	1000 PCS.	44000 PCS.
				90 MM	12/16 OZ	100 PCS.	1000 PCS.	36000 PCS.
PRODUCT	COLOUR	LENGHT	WIDTH	THICKNESS	PCS. PER CARTON	PCS. PER BOX	PCS. PER PALLET	
WOODEN STIRRERS	WOOD BROWN	140 MM	5 MM	1,5 MM	1000 PCS.	10000 PCS.	50000 PCS.	
		178 MM	5 MM	1,5 MM	1000 PCS.	10000 PCS.	50000 PCS.	
PLASTIC STIRRERS	TRANSPARENT	90 MM	5 MM	1,5 MM	2500 PCS.	25000 PCS.	80000 PCS.	
		105 MM	5 MM	1,5 MM	2500 PCS.	25000 PCS.	80000 PCS.	
		115 MM	5 MM	1,5 MM	2000 PCS.	25000 PCS.	60000 PCS.	
		125 MM	5 MM	1,5 MM	-	25000 PCS.	577500 PCS.	



UAB Ronelda,
Pagojo str.1,
Pagojo vill. Kelme,
Lithuania



+37065754334



sales@cupernican.com



cupernican.com