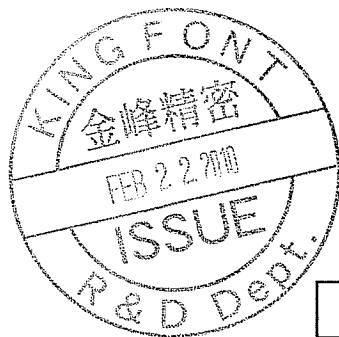
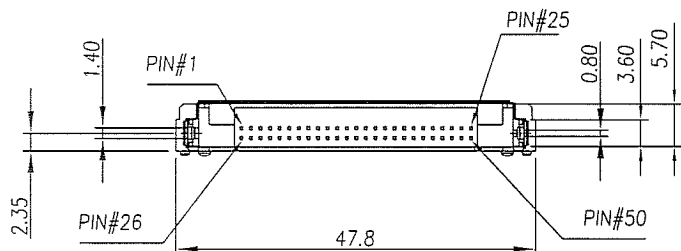
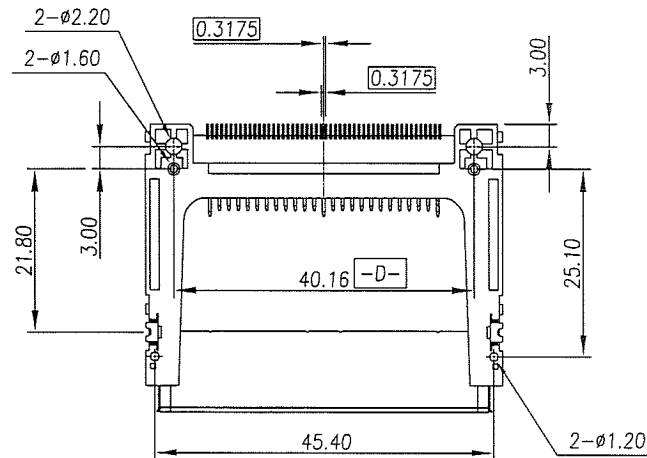
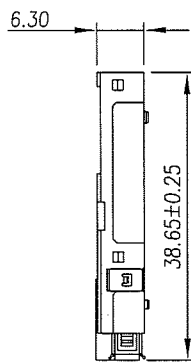
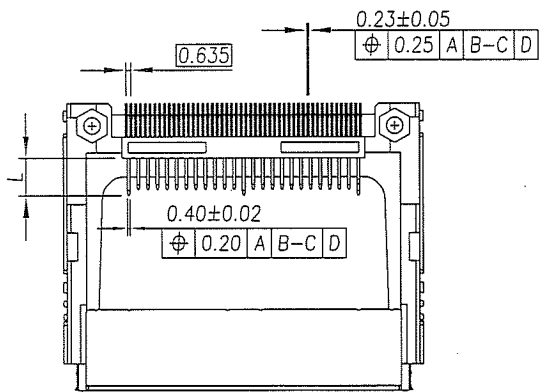
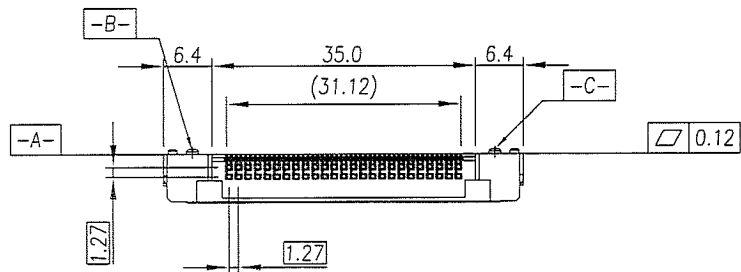


1 2 3 4 5 6 7 8

Pin Type	Interface Dim L	Pin Type	REV	MODIFICATION	DATE	DRAW
Detect	3.5 mm	25,26	B	EN-05-1202	2005/12/01	TONY
General	4.25 mm	All Other Pins	C	EN-08-0909	2008/09/04	TONY
Power	5.0 mm	1,13,38,50	D	EN-10-0217	2010/02/12	TONY

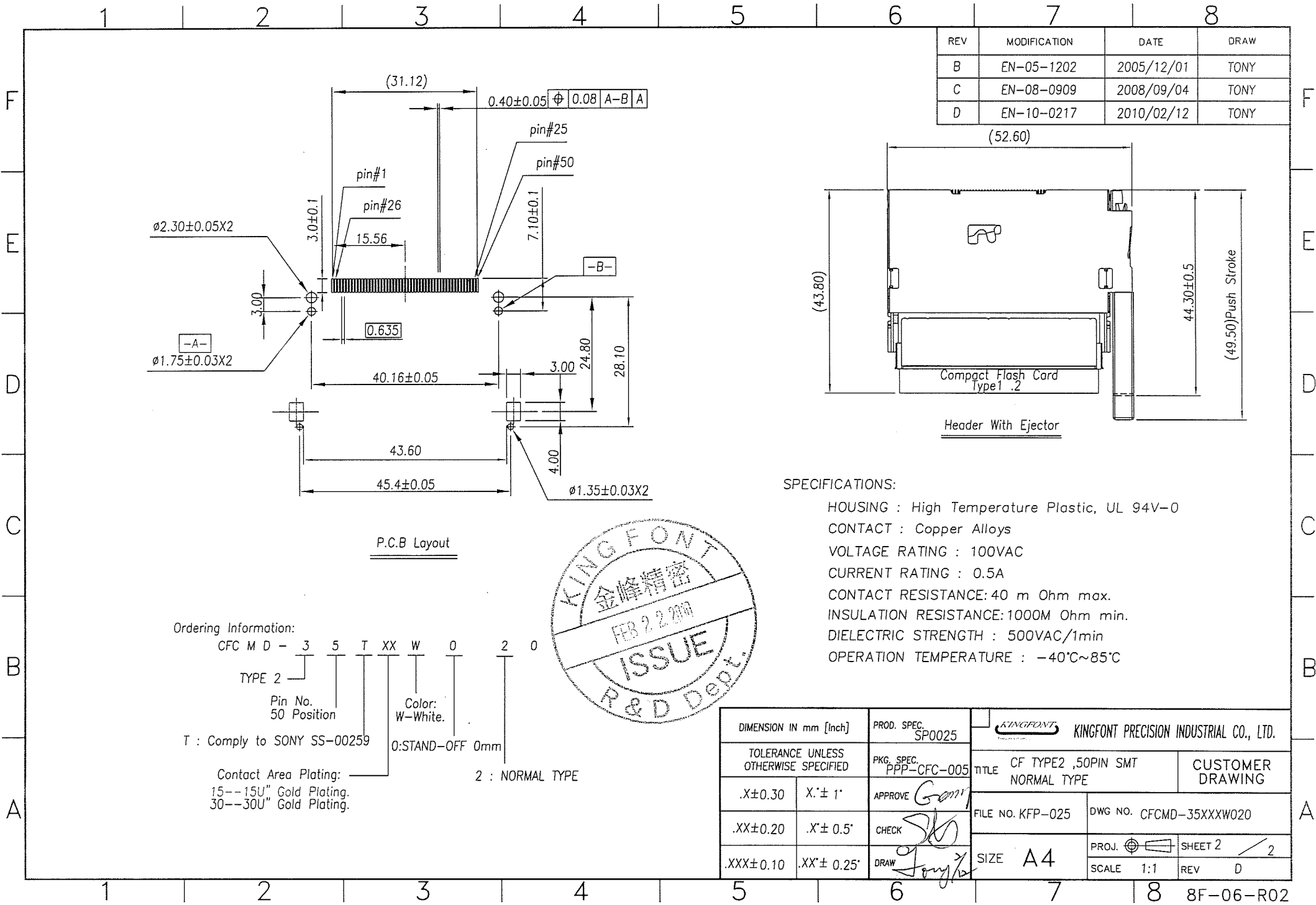
F  
E  
D  
C  
B  
A

F  
E  
D  
C  
B  
A

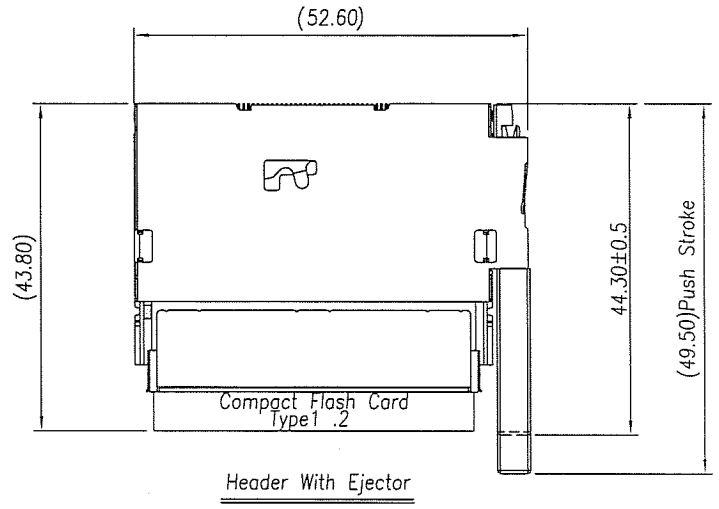
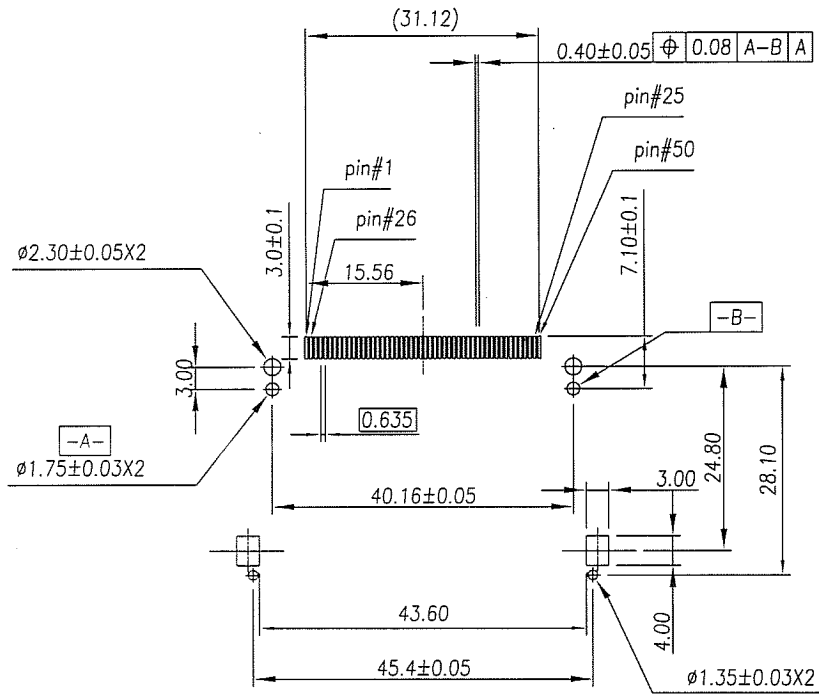


DIMENSION IN mm [Inch]		PROD. SPEC. SP0025	KINGFONT KINGFONT PRECISION INDUSTRIAL CO., LTD.	
TOLERANCE UNLESS OTHERWISE SPECIFIED		PKG. SPEC. PPP-CFC-005	TITLE CF TYPE2 ,50PIN SMT NORMAL TYPE	CUSTOMER DRAWING
.X±0.30	X'± 1"	APPROVE <i>Gom</i>	FILE NO. KFP-025	DWG NO. CFCMD-35XXXW020
.XX±0.20	.X'± 0.5"	CHECK <i>JL</i>	SIZE A4	PROJ.  SHEET 1 / 2
.XXX±0.10	.XX'± 0.25"	DRAW <i>Jongho</i>	SCALE 1:1	REV D

1 2 3 4 5 6 7 8 8F-06-R02



REV	MODIFICATION	DATE	DRAW
B	EN-05-1202	2005/12/01	TONY
C	EN-08-0909	2008/09/04	TONY
D	EN-10-0217	2010/02/12	TONY



P.C.B Layout

SPECIFICATIONS:

- HOUSING : High Temperature Plastic, UL 94V-0
- CONTACT : Copper Alloys
- VOLTAGE RATING : 100VAC
- CURRENT RATING : 0.5A
- CONTACT RESISTANCE: 40 m Ohm max.
- INSULATION RESISTANCE: 1000M Ohm min.
- DIELECTRIC STRENGTH : 500VAC/1min
- OPERATION TEMPERATURE : -40°C~85°C

Ordering Information:

CFC M D - 3 5 T XX W 0 2 0  
 TYPE 2  
 Pin No. 50 Position  
 Color: W-White.  
 T : Comply to SONY SS-00259  
 0:STAND-OFF 0mm  
 Contact Area Plating:  
 15--15U" Gold Plating.  
 30--30U" Gold Plating.  
 2 : NORMAL TYPE



DIMENSION IN mm [Inch]		PROD. SPEC. SP0025	KINGFONT KINGFONT PRECISION INDUSTRIAL CO., LTD.	
TOLERANCE UNLESS OTHERWISE SPECIFIED		PKG. SPEC. PPP-CFC-005	TITLE CF TYPE2 ,50PIN SMT NORMAL TYPE	CUSTOMER DRAWING
.X±0.30	X.'± 1'	APPROVE Gomi	FILE NO. KFP-025	DWG NO. CFCMD-35XXXW020
.XX±0.20	.X'± 0.5'	CHECK SLO	SIZE A4	PROJ. SHEET 2 / 2
.XXX±0.10	.XX'± 0.25'	DRAW Jony	SCALE 1:1	REV D