



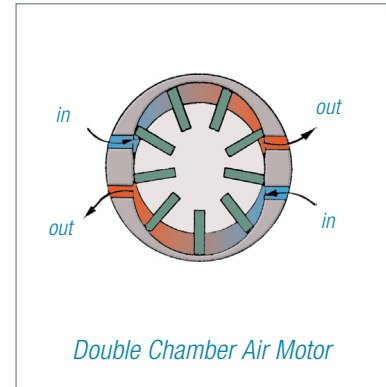
## Pneum. Hi-Tec Impulse Wrench – YLa series



Img.: YLa-110E



Img.: YLa-70A



Double Chamber Air Motor

- ▶ Significantly reduced weight and increased service life due to design improvements and new materials.
- ▶ Longer maintenance intervals due to 2-sided ball bearing pulse cell with improved heat dissipation.
- ▶ Faster power development due to double-chamber air motor with high pulse number.
- ▶ Reduced workload due to reduced vibration and noise levels.
- ▶ Smooth-running trigger.
- ▶ Lightweight tool with ergonomic 1-hand operation.

For impulse wrenches we recommend power sockets and extensions with sleeve drive – less tolerance, less wear for a permanently constant power output. In order to achieve maximum productivity, accuracy and durability, it has proven itself to use impulse wrenches up to approx. 80% of their capacity.



Yokota impulse wrenches of the latest series YLa are driven by a double-chamber air motor. This generates a high number of pulses per second. As a result, the torque is reached even faster, the screwdriving times are shortened, and at the same time the repeat accuracy is increased.

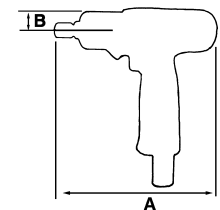
A special coating of the cylinder wall as well as heat-treated rotor lamellas allow operation with oil-free air. This makes malfunctions caused by poorly filled air oilers a thing of the past. In addition, the maintenance effort on the air line is reduced.

The 3/8 and 1/2 inch output square edge are equipped with a spring pin. This allows sockets to be changed in no time at all.

Power is delivered by the proven twin-blade hydraulic impulse unit. This unique Yokota mechanism reduces noise and vibration levels and produces a high pulse frequency.

The reduced weight and improved balance of the screwdriver make it easier to use even in hard-to-reach places.

The ergonomically optimised design facilitates one-handed operation and relieves the worker's wrist. This significantly reduces the risk of tissue disorders such as RSI. As a result, sick leave due to musculoskeletal complaints is noticeably reduced and operator acceptance increases significantly.



### Series YLa

Type	Model		Item No.	Bolt Capacity Ø	RPM min <sup>-1</sup>	Torque Range* N-m	Air Cons. l/s	Dimensions		Weight kg	Pipe Thread Zoll	Hose ID mm	Vibration m/s <sup>2</sup>	Noise Level dB(A)	
	SqD	Hex						A	B						
Pistol	-	1/4	YLa-60 A	420006	M6	4000	11 - 20	5.0	130	21.5	0.78	1/4	6.35	1.4	71
	-	1/4	YLa-70 A	420010	M6-M8	7000	20 - 28	5.5	131	21.5	0.79	1/4	6.35	1.4	74
	-	1/4	YLa-80 A	420013	M8	7000	24 - 35	5.8	138	21.5	0.81	1/4	6.35	1.2	75
	3/8	-	YLa-60 E	420008	M6	4000	13 - 22	5.0	130	21.5	0.78	1/4	6.35	1.4	71
	3/8	-	YLa-70 E	420012	M6-M8	7000	24 - 35	5.5	131	21.5	0.79	1/4	6.35	1.4	74
	3/8	-	YLa-80 E	420014	M8	7000	32 - 50	5.8	138	21.5	0.81	1/4	6.35	1.2	75
	3/8	-	YLa-90 E	420016	M8-M10	6500	47 - 65	6.8	148	23	0.95	1/4	9.5	1.2	78
	1/2	-	YLa-110 E	420018	M10-M12	5500	60 - 95	8.8	164	26.5	1.33	1/4	9.5	1.8	81
	1/2	-	YLa-120 E	420019	M12	6600	90 - 130	9.3	172	29	1.7	1/4	9.5	2.2	81
	1/2	-	YLa-140 E	420020	M14	5400	125 - 160	14.3	185	33	2.2	1/4	9.5	4.7	83

\* Torque specification is for guidance only, based on manufacturer's tightening tests at 0.6 MPa. Due to different influencing factors, practical values may deviate.

