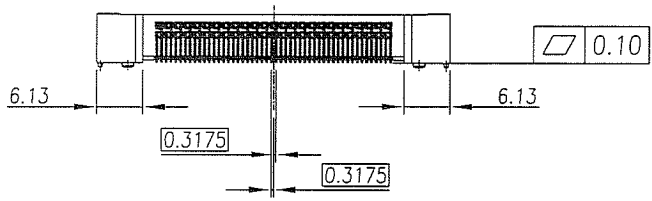
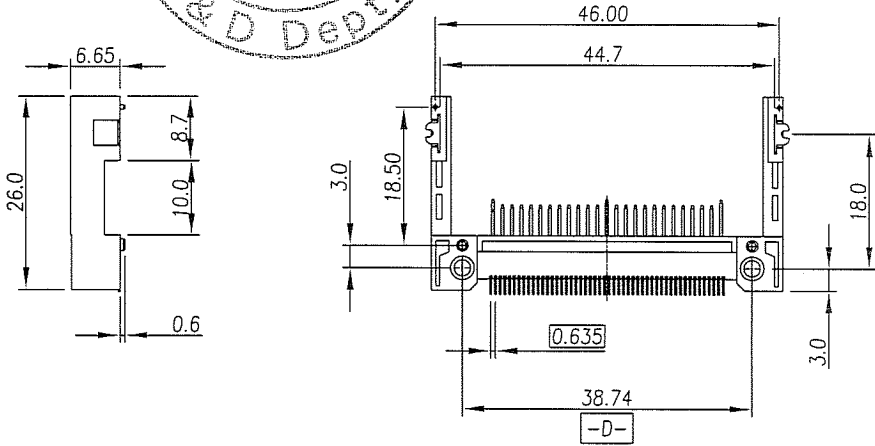
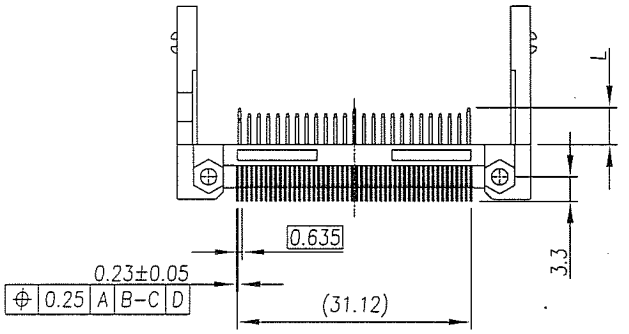
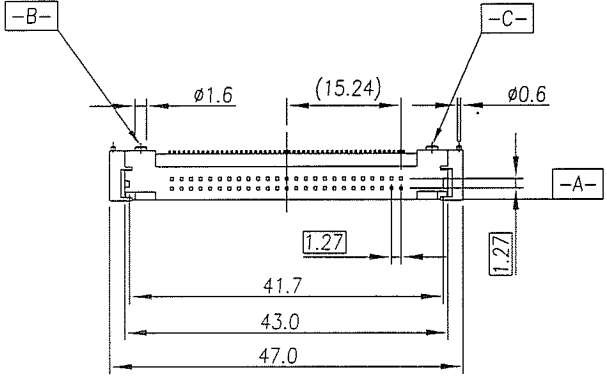


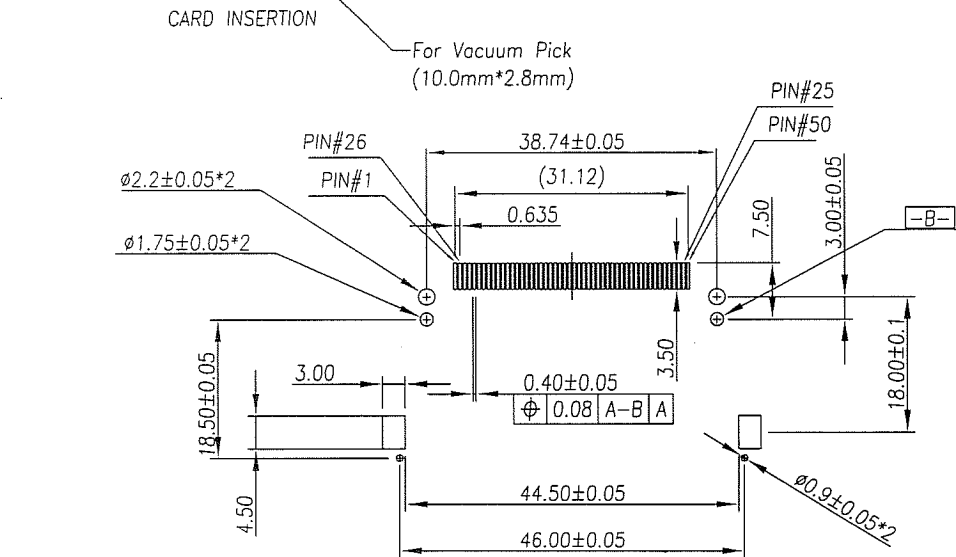
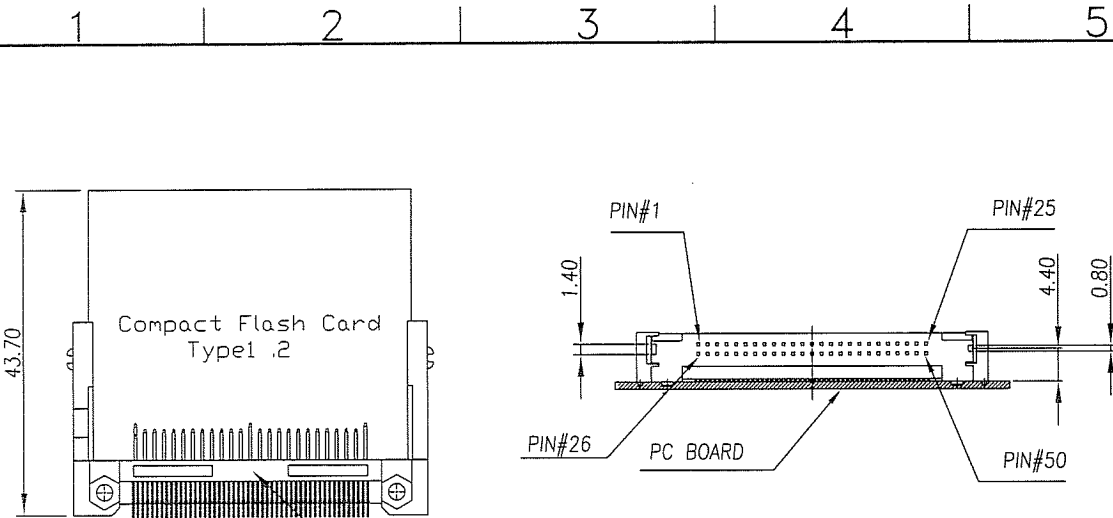
1 2 3 4 5 6 7 8

Pin Type	Interface Dim L	Pin Type	REV	MODIFICATION	DATE	DRAW
Detect	3.5 mm	25,26	G	EN-08-1210	2008/12/05	TONY
General	4.25 mm	All Other Pins	H	EN-09-1122	2009/11/27	TONY
Power	5.0 mm	1,13,38,50	I	EN-10-0416	2010/04/08	TONY



DIMENSION IN mm [Inch]		PROD. SPEC. SP0028	KINGFONT PRECISION INDUSTRIAL CO., LTD.	
TOLERANCE UNLESS OTHERWISE SPECIFIED		PKG. SPEC. PPP-CFC-006	CF CARD CONN. TYPE1,2	CUSTOMER DRAWING
.X±0.30	X'± 1"	APPROVE <i>Gomy</i>	TITLE STAND-OFF 2.0mm NORMAL TYPE	
.XX±0.20	.X'± 0.5"	CHECK <i>Sam</i>	FILE NO. KFP-028	DWG NO. CFCMD-45TXXW100
.XXX±0.10	.XX'± 0.25"	DRAW <i>Jony</i>	SIZE A4	PROJ. SHEET 1 / 2
			SCALE 1:1	REV 1

1 2 3 4 5 6 7 8 8F-06-R02



P.C.B Layout

REV	MODIFICATION	DATE	DRAW
G	EN-08-1210	2008/12/05	TONY
H	EN-09-1122	2009/11/27	TONY
I	EN-10-0416	2010/04/08	TONY

Ordering Information:

CFC M D -4 5 T XX W 1 0 0
 TYPE 2
 Pin No. 50 Position
 Color: W--White.
 DIM-A 0-38.74
 0-NORMAL TYPE
 T : COMPLY TO SONY SS-00259
 1 : STANDOFF 2.0mm

Contact Area Plating:
 01-- Gold Flash Plating.
 15-- 15U" Gold Plating.
 30-- 30U" Gold Plating.

SPECIFICATIONS:

HOUSING : High Temperature Plastic, UL 94V-0
 CONTACT : Copper Alloys
 VOLTAGE RATING : 100VAC
 CURRENT RATING : 0.5A
 CONTACT RESISTANCE: 40 mΩ max.
 INSULATION RESISTANCE: 1000M Ω max.
 DIELECTRIC STRENGTH : 500VAC/1min
 OPERATION TEMPERATURE : -40°C~85°C



DIMENSION IN mm [Inch]		PROD. SPEC. SP0028	KINGFONT PRECISION INDUSTRIAL CO., LTD.	
TOLERANCE UNLESS OTHERWISE SPECIFIED		PKG. SPEC. PPP-CFC-006	CF CARD CONN. TYPE1,2	CUSTOMER DRAWING
.X±0.30	.X'± 1'	APPROVE <i>Garm</i>	STAND-OFF 2.0mm NORMAL TYPE	
.XX±0.20	.X'± 0.5'	CHECK <i>San</i>	FILE NO. KFP-028	DWG NO. CFCMD-45TXXW100
.XXX±0.10	.XX'± 0.25'	DRAW <i>Long</i>	SIZE A4	PROJ. SHEET 2 / 2
			SCALE 1:1	REV 1