



DS 214

Electronic Pressure Switch for Very High Pressure

Thinfilm Sensor

accuracy according to IEC 60770:
standard: 0.35 % FSO

Nominal pressure

from 0 ... 600 bar up to 0 ... 2 200 bar

Contacts

1, 2 or 4 independent PNP contacts,
freely configurable

Analogue output

2-wire: 4 ... 20 mA
3-wire: 4 ... 20 mA / 0 ... 10 V
others on request

Special characteristics

- ▶ indication of measured values
on a 4-digit LED display
- ▶ pressure sensor welded
- ▶ extremely robust and excellent long-
term stability

Optional versions



- ▶ adjustability of span and offset
(4 ... 20 mA / 3-wire)
- ▶ customer specific versions

The electronic pressure switch DS 214 for very high pressure up to 2 200 bar has been designed especially for use in plant and machine engineering as well as in mobile hydraulics.

The DS 214 has one 1 contact with standard version, this can optionally be upgraded up to four independent contacts.

Via the rotatable module with an integrated 4-digit display the DS 214 can be programmed easily and comfortably.

Preferred areas of use are

-  Plant and machine engineering
-  Commercial vehicles and
mobile hydraulics



Input pressure range						
Nominal pressure gauge	[bar]	600	1000	1600	2000	2200
Overpressure	[bar]	2000	2000	2800	2800	2800

Contact ¹	
Standard	1 PNP contact
Options	2 independent PNP contacts 4 independent PNP contacts (possible with M12x1, 8-pin for 4 ... 20 mA/3-wire)
Max. switching current	4 ... 20 mA / 2- and 3-wire: contact rating 125 mA, short-circuit resistant; $V_{\text{switch}} = V_S - 2 \text{ V}$ 0 ... 10 V / 3-wire: contact rating 125 mA, short-circuit resistant
Accuracy of contacts ²	$\leq \pm 0.35 \% \text{ FSO}$
Repeatability	$\leq \pm 0.1 \% \text{ FSO}$
Switching frequency	max. 10 Hz
Switching cycles	$> 100 \times 10^6$
Delay time	0 ... 100 sec

¹ max. 1 contact for 2-wire current signal with plug ISO 4400
no contact possible with 3-wire in combination with plug ISO 4400

Analogue output (optionally) / Supply

2-wire current signal	4 ... 20 mA / $V_S = 13 \dots 36 \text{ V}_{\text{DC}}$ permissible load: $R_{\text{max}} = [(V_S - V_{S_{\text{min}}}) / 0.02 \text{ A}] \Omega$	response time: < 10 msec
3-wire current signal	4 ... 20 mA / $V_S = 19 \dots 30 \text{ V}_{\text{DC}}$ adjustable (turn-down of span 1:5) ³ permissible load: $R_{\text{max}} = 500 \Omega$	response time: < 3 sec
3-wire voltage signal	0 ... 10 V / $V_S = 15 \dots 36 \text{ V}_{\text{DC}}$ permissible load: $R_{\text{min}} = 10 \text{ k}\Omega$	response time: < 3 msec
Without analogue output	$V_S = 15 \dots 36 \text{ V}_{\text{DC}}$	
Accuracy ²	$\leq \pm 0.35 \% \text{ FSO IEC 60770}$	

² accuracy according to IEC 60770 – limit point adjustment (non-linearity, hysteresis, repeatability)

³ with turn-down of span the analogue signal is adjusted automatically to the new measuring range

Thermal effects (offset and span)

Thermal error	$\leq \pm 0.25 \% \text{ FSO} / 10 \text{ K}$
In compensated range	-20 ... 85 °C

Permissible temperatures

Medium	-40 ... 140 °C
Electronics / environment	-25 ... 85 °C
Storage	-40 ... 100 °C

Electrical protection

Short-circuit protection	permanent
Reverse polarity protection	no damage, but also no function
Electromagnetic compatibility	emission and immunity according to EN 61326

Mechanical stability

Vibration	10 g RMS (25 ... 2000 Hz)
Shock	100 g / 11 msec

Materials

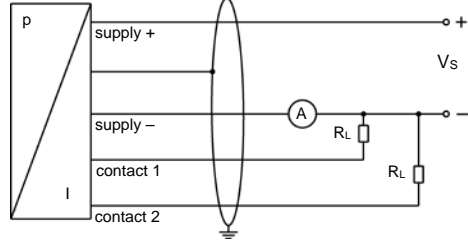
Pressure port	stainless steel 1.4542 (17-4 PH)
Housing	stainless steel 1.4404 (316 L)
Display housing	PA 6.6, polycarbonate
Seals (media wetted)	none (welded version)
Diaphragm	stainless steel 1.4542 (17-4 PH)
Media wetted parts	pressure port, diaphragm

Miscellaneous

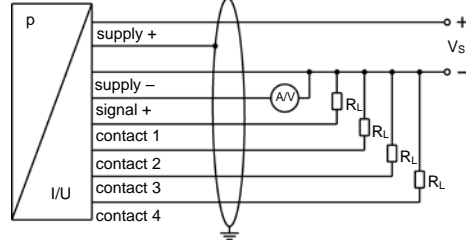
Display	4-digit, red 7-segment-LED display, digit height 7 mm, range of indication -1999 ... +9999; accuracy 0.1 % \pm 1 digit; digital damping 0.3 ... 30 sec (programmable); measured value update 0.0 ... 10 sec (programmable)	
Current consumption (without contacts)	2-wire signal output current: max. 25 mA 3-wire signal output current: approx. 45 mA 3-wire signal output voltage: approx. 7 mA + signal current	
Ingress protection	IP 65	
Installation position	any	
Weight	min. 200 g (depending on mechanical connection)	
Operational life	$p_N = 600 \text{ bar}$: 100 million load cycles $p_N > 600 \text{ bar}$: 10 million load cycles	
CE-conformity	EMC Directive: 2014/30/EU Pressure Equipment Directive: 2014/68/EU (module A)	

Wiring diagrams

2-wire-system (current)



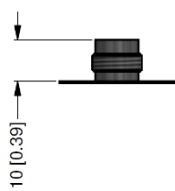
3-wire-system (current / voltage)



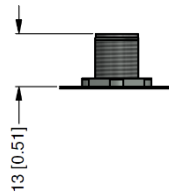
Pin configuration

Electrical connection	M12x1 plastic (5-pin)	M12x1 metal (5-pin)	M12x1 plastic (8-pin)	ISO 4400	Binder series 723 (5-pin)
Supply +	1	1	1	1	1
Supply -	3	3	3	2	3
Signal + (only 3-wire)	2	2	2	3	2
Contact 1	4	4	4	3	4
Contact 2	5	5	5	-	5
Contact 3	-	-	6	-	-
Contact 4	-	-	7	-	-
Shield	via pressure port	plug housing/ pressure port	via pressure port	ground contact	plug housing/ pressure port

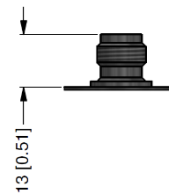
Electrical connections (dimensions mm / in)



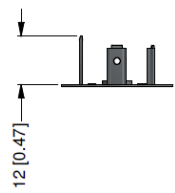
M12x1 plastic (5-pin)



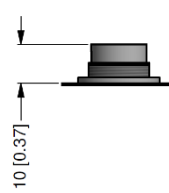
M12x1 metal (5-pin)



M12x1 plastic (8-pin)

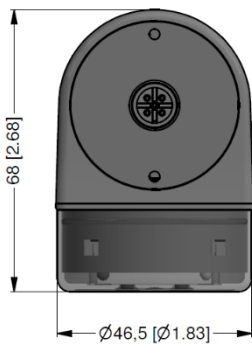
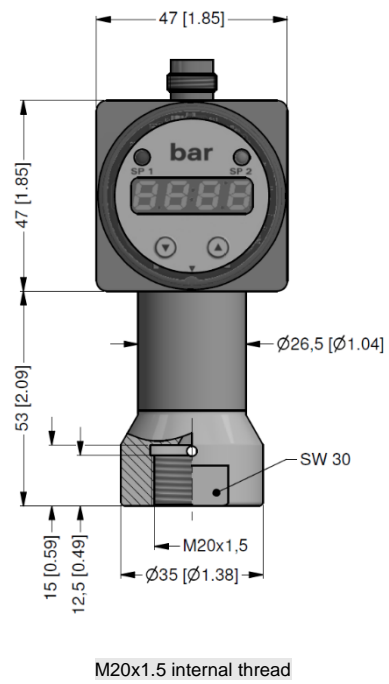
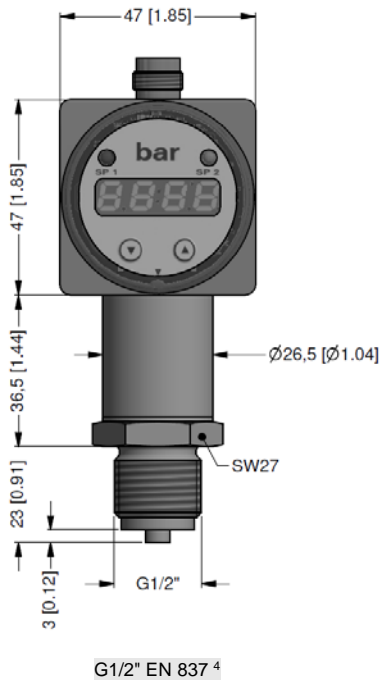


ISO 4400



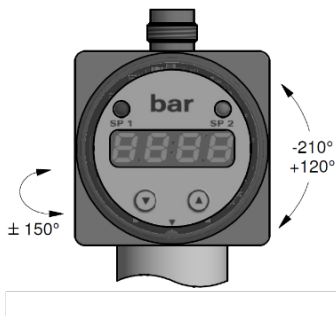
Binder series 723 (5-pin)

Dimensions (mm / in)



⁴ According to EN 837, the pressure port and the complement, at pressure over 1000 bar must be preferably made of stainless steel with a tensile strength of $R_p > 260 \text{ N/mm}^2$ in accordance with DIN 17440. The maximum allowed pressure is 1600 bar!

Rotatability of display module



© 2024 BD|SENSORS GmbH – The specifications given in this document represent the state of engineering at the time of publishing. We reserve the right to make modifications to the specifications and materials.

Ordering code DS 214

DS 214

--	--	--	--	--	--	--	--	--	--	--	--	--	--	--	--	--	--	--	--

Pressure					
gauge	7	8	B		
Input					
[bar]					
600	6	0	0	3	
1000	1	0	0	4	
1600	1	6	0	4	
2000	2	0	0	4	
2200	2	2	0	4	
customer	9	9	9	9	consult
Analogue output					
without				0	
4 ... 20 mA / 2-wire				1	
0 ... 10 V / 3-wire				3	
4 ... 20 mA / 3-wire, adjustable				7	
customer				9	consult
Contact					
1 contact ¹				1	
2 contacts ¹				2	
4 contacts ²				4	consult
Accuracy					
0.35 % FSO				3	
customer				9	consult
Electrical connection					
male plug M12x1 (5-pin) / plastic version				N 0 1	
male plug M12x1 (8-pin) / plastic version ²				M 5 0	
male plug M12x1 (5-pin) / metal version				N 1 1	
male and female plug ISO 4400 ¹				1 0 0	
male plug Binder series 723 (5-pin)				2 0 4	
customer				9 9 9	consult
Mechanical connection					
G1/2" EN 837 ³				2 0 0	
M20x1.5 internal thread				D 2 8	
customer				9 9 9	consult
Seal					
without (welded version)				2	
customer				9	consult
Special version					
standard				0 0 0	
customer				9 9 9	consult

¹ with connector ISO 4400 and output 2-wire version only max. 1 contact possible; with 3-wire version no contact possible

² 4 contacts and M12x1, 8-pin only possible in combination and together with 4 ... 20 mA/3-wire; 0 ... 10 V/3-wire on request

³ According to EN 837, the pressure port and the complement, at pressure over 1000 bar must be preferably made of stainless steel with a tensile strength of R_p > 260 N/mm² in accordance with DIN 17440. The maximum allowed pressure is 1600 bar!