

4-channel Temperature Input

μCAN.4.ti-F1 / Pt100

4-channel data acquisition module for temperature RTDs (Pt100/200/500/1000) with CAN interface

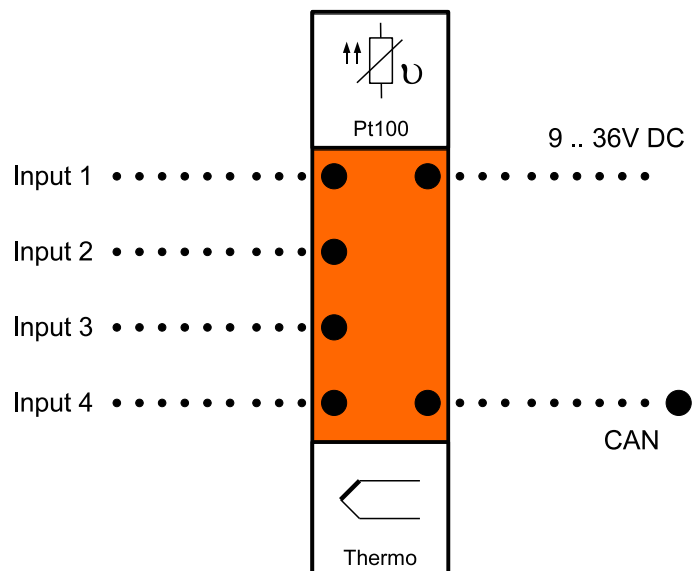
The μCAN.4.ti-F1 is the universal measurement unit for acquisition of standard signals. The module is configured to acquire RTD signals from Pt100 / Pt500 / Pt1000 at a sample rate of 1 kHz per input.

The sensor signals are evaluated and linearized in a rugged aluminium die-cast casing. The data is transmitted to a central evaluation unit via CAN bus.



Features

- 4 analogue inputs for resistance temperature detectors, variably adjustable
- sample rate max. 1 kHz per input
- operating temperature -40°C to +85°C
- CAN 2.0A and CAN 2.0B / RawCAN
- free software configuration tool
- aluminium casing in IP65
- indication of device status by 1 bi-color LED



Technical Data	μCAN.4.ti-F1 / Pt100/200/500/1000
Channels	4
Supply Voltage	9...36 V DC, reverse polarity protected
Power Consumption	2W (84mA @ 24V DC)
Isolation	Input/Supply.: 500Veff, Fieldbus/Supply.: 500Veff
Operating Temperature	-40°C...+85°C
Bitrate	20kBit/sec ... 1MBit/sec
Protocol	RawCAN / CAN 2.0A and 2.0B
Configuration	free configuration software
Status Indicator	1 bi-colour LED
Protection Class	IP65
Casing	Aluminium, powder-coated 120x110x48mm (LxWxD)
EMC	according to EN 50082
Signal type / accuracy @ 23°C ambient temperature	Pt100 / Pt200 / Pt500 / Pt1000: -100°C...+850°C, resolution 0.01K / accuracy +/- 0.1K
Sample Rates [Hz]	2 ... 3750
Resolution	2Hz / 24-bit 3kHz / 18-bit
Filter	Software filter / moving average determinatin, adjustable
Configuration analogue inputs	SYNC driven sending ADC-Interrupt driven sending Timer driven sending

Order Number	Description
17.30.005	μCAN.4.ti-F1 / Pt100 / 200 / 500 / 1000 4-channel analogue acquisition module, Pt100, signal type resistance temperature detector, signal connection via Lemo plug K series , power and CAN connection via Lemo plug B-series, includes 2 connection elements
90.15.000	Foot / connection element for F1 modules
90.15.001	F1/F1 connector (CAN + Power) length 140 mm, Lemo connectors at both ends
90.15.200	F1 terminal resistor for CANbus with Lemo connector
90.15.150	F1 connecting cable (CAN + Power) length 2 m, with Lemo connector / 9-pin SUB-D connector, bare connector end for power supply
90.15.100	F1 connecting cable (CAN + Power) length 2 m, with Lemo connector / bare connector end
90.15.300	Sensor connector Lemo K series, FGG.0K.306.CLAC50, 6-pin, solder contacts, watertight
90.15.350	Power+CAN connector, Lemo F series, FGN.0F.305.XLC, 5-pin, solder contacts, watertight