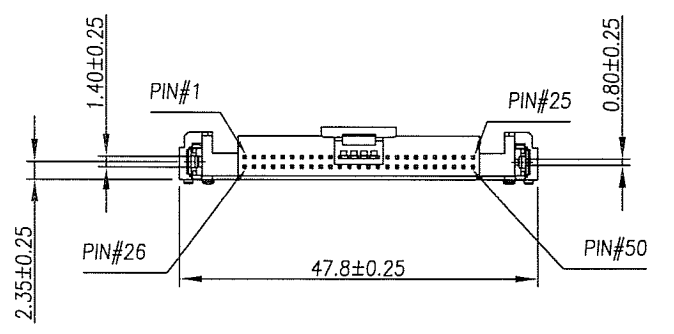
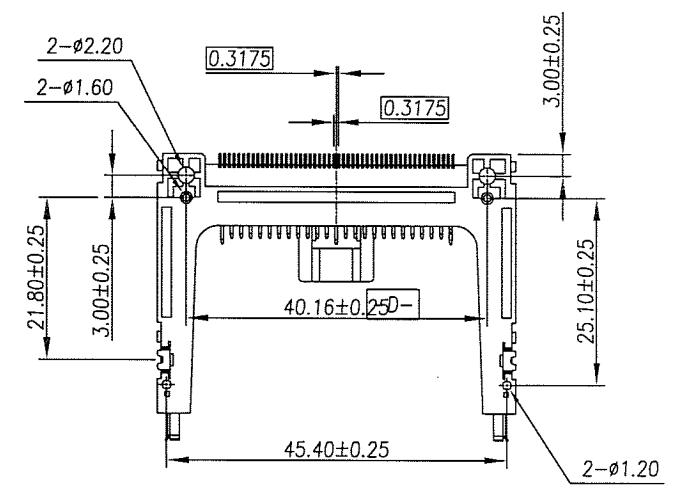
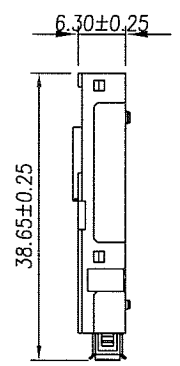
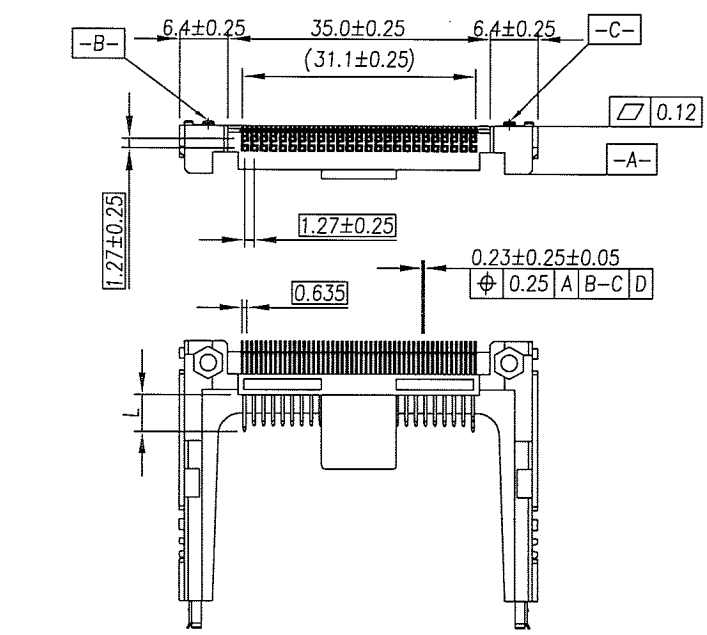


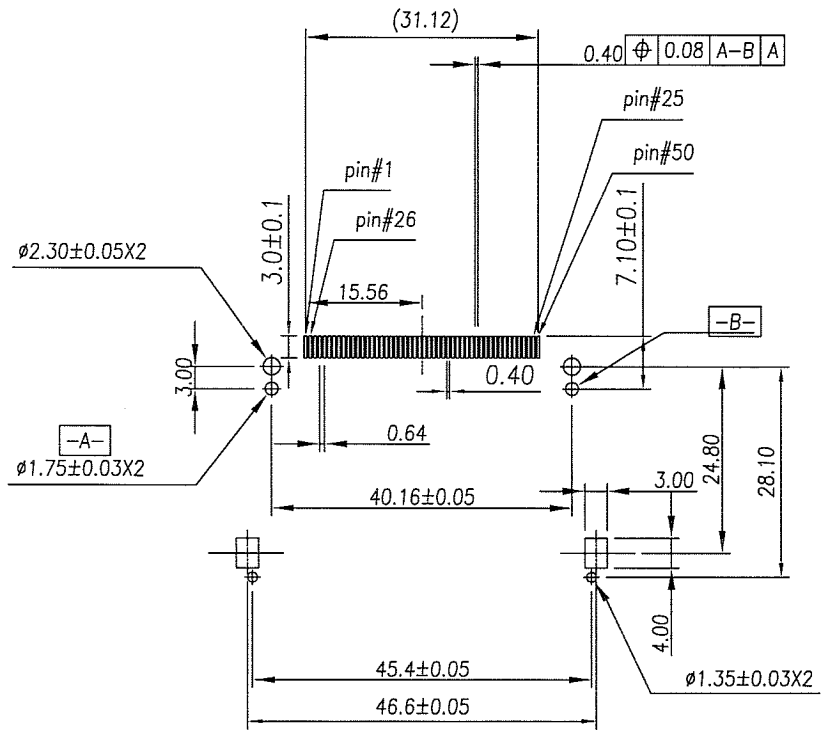
Pin Type	Interface Dim L	Pin Type	REV	MODIFICATION	DATE	DRAW
Detect	3.5 mm	25,26				
General	4.25 mm	All Other Pins				
Power	5.0 mm	1,13,38,50				



DIMENSION IN mm [Inch]		PROD. SPEC. SP0025		KINGFONT KINGFONT PRECISION INDUSTRIAL CO., LTD.	
TOLERANCE UNLESS OTHERWISE SPECIFIED		PKG. SPEC. PPP-CFC-013		TITLE CF TYPE2 ,50PIN SMT NORMAL TYPE WITH CAP CUSTOMER DRAWING	
.X±0.30	X'± 1"	APPROVE <i>Gerry</i>		FILE NO. KFP-025 DWG NO. CFCMD-35TXXW001	
.XX±0.20	X'± 0.5"	CHECK <i>Sets</i>		PROJ. SHEET 1 / 2	
.XXX±0.10	XX'± 0.25"	DRAW <i>Jony</i>		SCALE 1:1 REV A	

1 2 3 4 5 6 7 8

REV	MODIFICATION	DATE	DRAW



SPECIFICATIONS:

HOUSING : High Temperature Plastic, UL 94V-0
 CONTACT : Copper Alloys
 VOLTAGE RATING : 100VAC
 CURRENT RATING : 0.5A
 CONTACT RESISTANCE: 40 m Ohm max.
 INSULATION RESISTANCE: 1000M Ohm min.
 DIELECTRIC STRENGTH : 500VAC/1min
 OPERATION TEMPERATURE : -40°C~85°C

Ordering Information:

CFC M D - 3 5 T XX W 0 0 1
 TYPE 2 Pin No. Color: W-White. 1 : WITH CAP
 0 : NORMAL TYPE
 T : COMPLY TO SONY SS-00259
 Contact Area Plating: 15-15U" Gold Plating.
 STAND OFF 0 : 0mm

P.C.B Layout



DIMENSION IN mm [Inch]		PROD. SPEC. SP0025	KINGFONT KINGFONT PRECISION INDUSTRIAL CO., LTD.	
TOLERANCE UNLESS OTHERWISE SPECIFIED		PKG. SPEC. PPP-CFC-013	TITLE CF TYPE2 ,50PIN SMT NORMAL TYPE WITH CAP	CUSTOMER DRAWING
.X±0.30	X'± 1'	APPROVE <i>Gamy</i>	FILE NO. KFP-025	DWG NO. CFCMD-35TXXW001
.XX±0.20	.X'± 0.5'	CHECK <i>Sto</i>	SIZE A4	PROJ. SHEET 2 / 2
.XXX±0.10	.XX'± 0.25'	DRAW <i>Fory</i>	SCALE 1:1	REV A

1 2 3 4 5 6 7 8 8F-06-R02