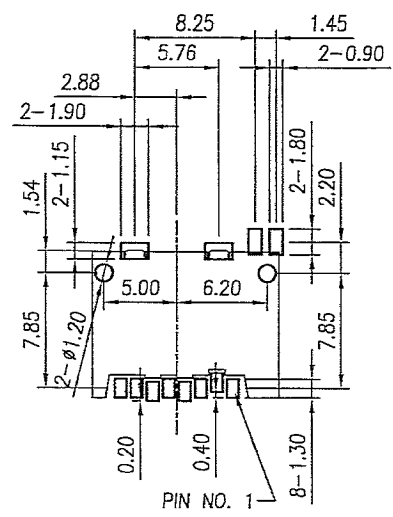
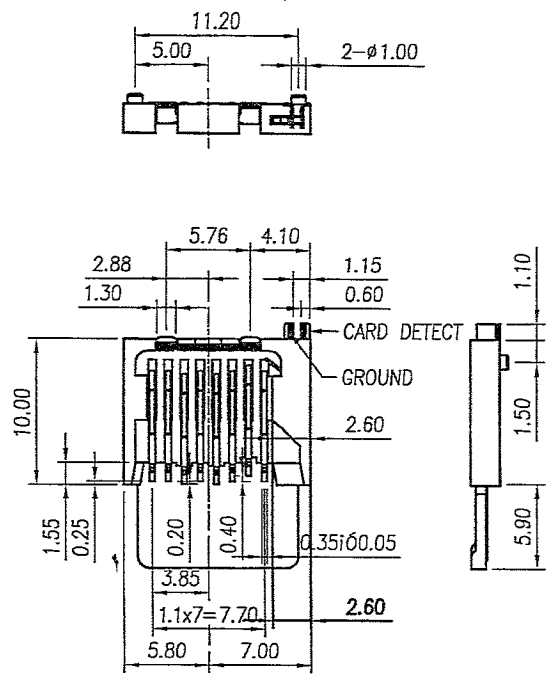
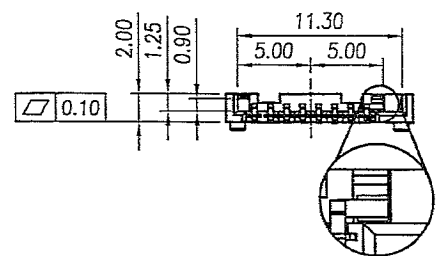
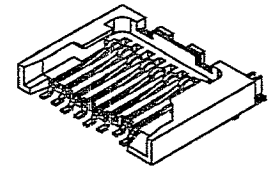


REV	MODIFICATION	DATE	DRAW
B	EN-08-1107	2008/11/12	Tony
C	EN-09-0604	2009/06/04	Tony
D	EN-13-0506	2013/05/07	Stacy



P.C.B Layout (Top View)



Ordering Information:
TFAMF-111XXBTOX

01: G/F Gold Plating
05: 5u" Gold Plating

PACKAGE TYPE :
0 : TRAY
1 : TAPE REEL

Comply to SONY SS-00259



NOTES:
1.Material:
Housing:Thermoplastic UL94V-0
Color:Black
Contact:Phosphor Bronze.
Tin 100u" at Solder Tail,See
"Ordering Information" for Contact
Area Plating

Micro SD		DIMENSION IN mm [Inch]		PROD. SPEC. SP-0102	KINGFONT PRECISION INDUSTRIAL CO., LTD.	
PIN	NAME	TOLERANCE UNLESS OTHERWISE SPECIFIED		PKG. SPEC. PPP-TFA-001	TITLE Micro SD Card Connector Manual Type CUSTOMER DRAWING	
1	DAT2	.X \pm 0.30	X' \pm 1"	APPROVE <i>Gan</i>	FILE NO. KFP-102	DWG NO. TFAMF-111XXBXXX
2	CD/DAT3	.XX \pm 0.20	.X' \pm 0.5"	CHECK <i>Fay</i>	SIZE A4	PROJ. SHEET 1 / 1
3	CMD	.XXX \pm 0.10	.XX' \pm 0.25"	DRAW <i>Shi</i>	SCALE 2:1	REV D
4	VDD			QR-2100-043		
5	CLK					
6	VSS2					
7	DAT0					
8	DAT1					