

Chest handle

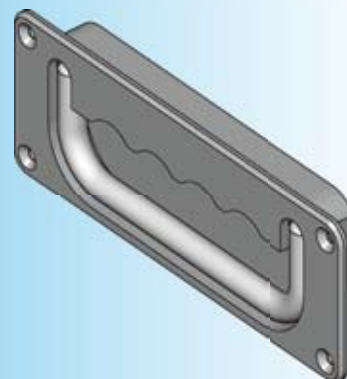
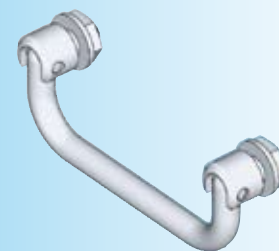
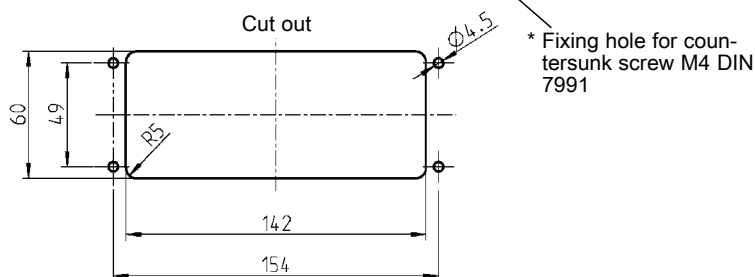
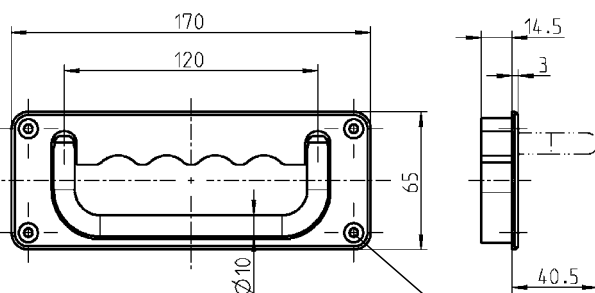
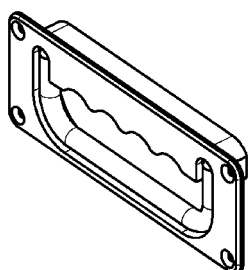
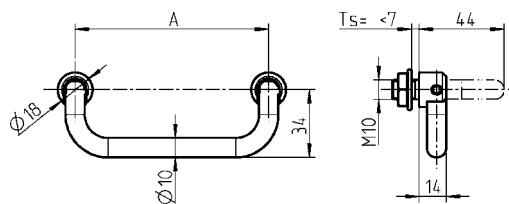
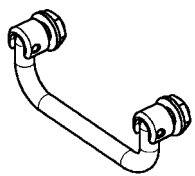
Edge handle

PROGRAM 1095

Beschlagteile

INOX
AISI
3..

EDELSTAHL®
Rost frei
STAINLESS STEEL



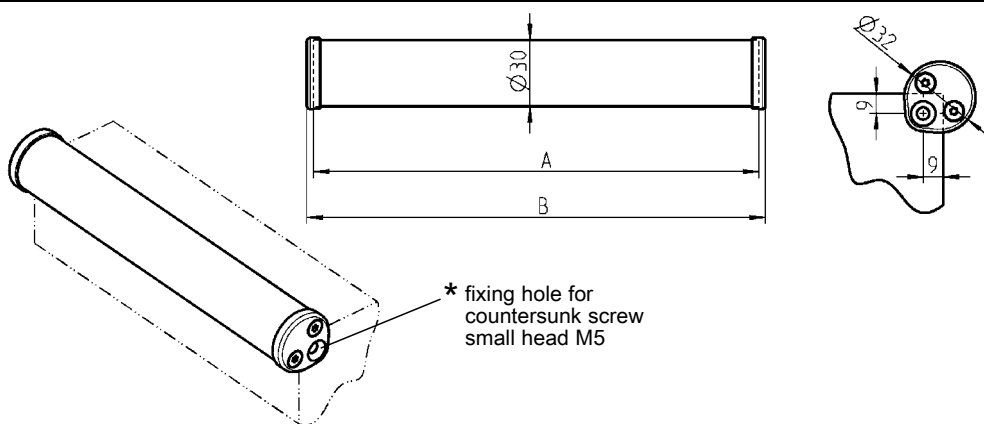
**** = on request**
 – Handle length 100 instead of 120
 – with spring reset of the handle when folded in

Chest handle m.s. chrome plated or stainl. st. AISI 303, fastening mat. AISI 303

A	m.s. chrome pl.	AISI 303
100	1095-U32-100IA	1095-U32-100PF
120	1095-U32-120IA	1095-U32-120PF
180	1095-U32-180IA	1095-U32-180PF

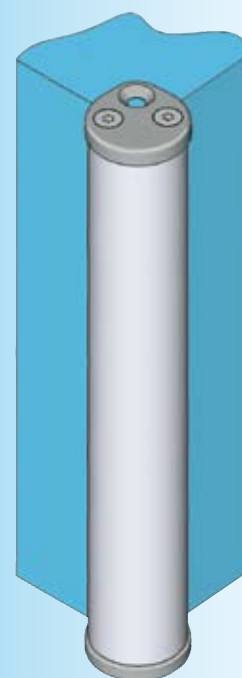
Recessed chest handle m.s. chrome plated, tray zinc alloy black

with locking mechanism of the handle both when folded in and out 1095-U32-AA **



Edge handle aluminium profile, end pieces zinc alloy black, screws m.s. black

A	B	
200	206	1095-U33-200AA
300	306	1095-U33-300AA
400	406	1095-U33-400AA
500	506	1095-U33-500AA



* Fastening material is not included in delivery.