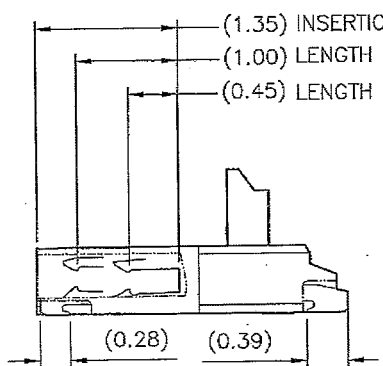
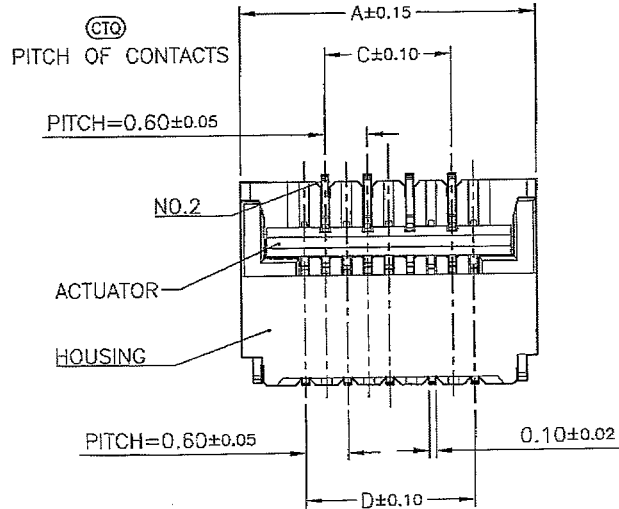


1 2 3 4 5 6 7 8

REV	MODIFICATION	DATE	DRAW

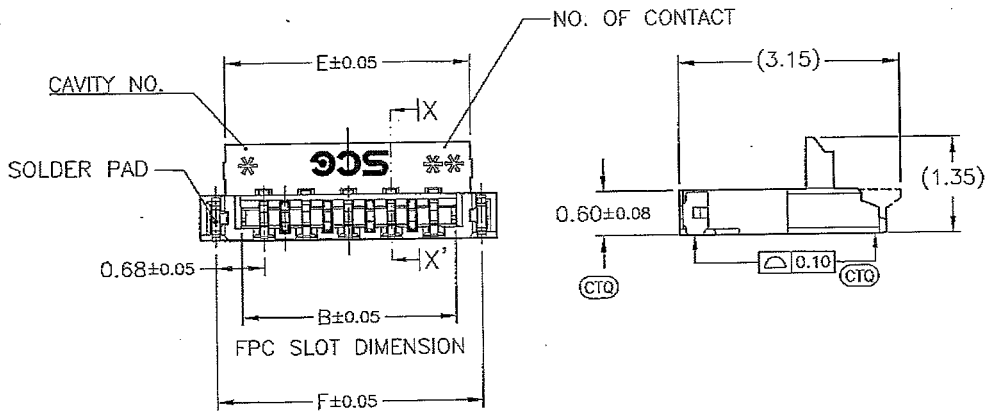
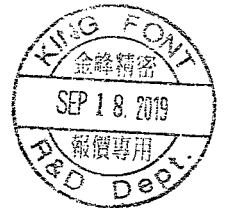
F
E
D
C
B
A

F
E
D
C
B
A



SECT X-X'
SCALE 15:1

NOTE:
MATERIAL:
HOUSING:LCP(UL94V-0)
ACTUATOR:LCP(UL94V-0)
TERMINAL:PHOSPHOR BRONZE
SOLDER PAD:PHOSPHOR BRONZE
PLATING:
TERMINAL:1u"~3u" GOLD FLASH(NICKEL BARRIER)
SOLDER PAD:TIN OVER NICKEL(LEAD FREE)
RATING:
OPERATING VOLTAGE:50V AC(rms)
CURRENT RATING:0.2A DC
OPERATING TEMPERATURE:-55°C ~ +85°C



NO.OF CONTACTS	DIM. A	DIM. B	DIM. C	DIM. D	DIM. E	DIM. F
13	5.40	4.23	3.00	3.60	4.67	4.96
15	6.00	4.83	3.60	4.20	5.27	5.56
17	6.60	5.43	4.20	4.80	5.87	6.16
21	7.80	6.63	5.40	6.00	7.07	7.36
23	8.40	7.23	6.00	6.60	7.67	7.96
25	9.00	7.83	6.60	7.20	8.27	8.56
27	9.60	8.43	7.20	7.80	8.87	9.16
31	10.80	9.63	8.40	9.00	10.07	10.36
33	11.40	10.23	9.00	9.60	10.67	10.96
35	12.00	10.83	9.60	10.20	11.27	11.56
37	12.60	11.43	10.20	10.80	11.87	12.16
39	13.20	12.03	10.80	11.40	12.47	12.76
45	15.00	13.83	12.60	13.20	14.27	14.56
51	16.80	15.63	14.40	15.00	16.07	16.36

ORDERING INFORMATION
FPCT8-Z xx 01 D3 06

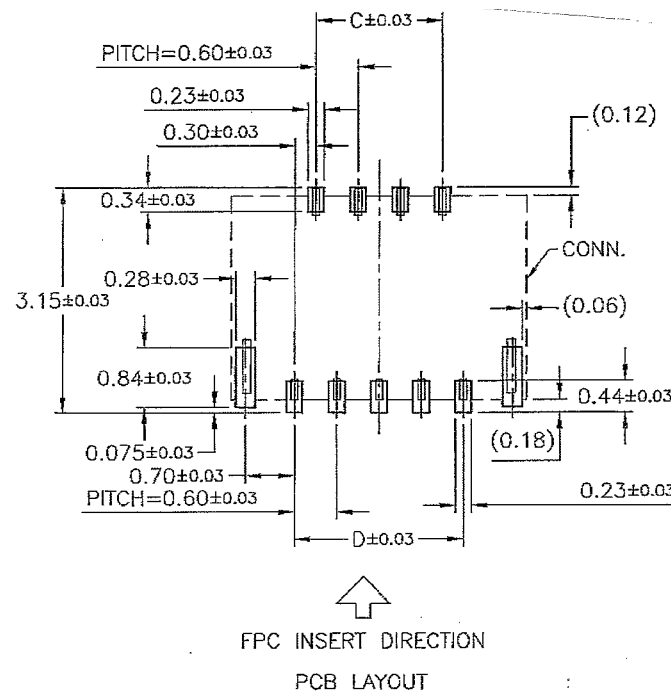
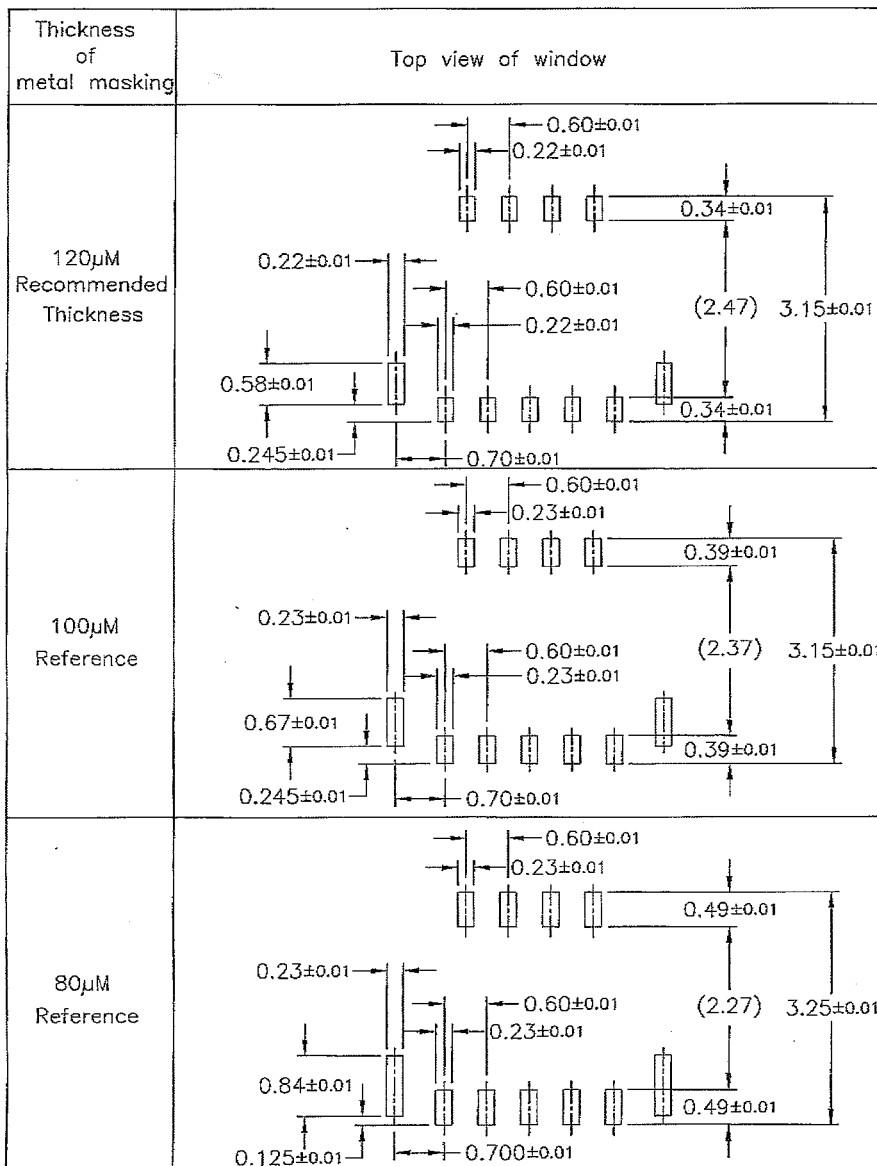
No of Contacts
01:GOLD FLASH
1u"~3u"(Nickel Barrier)
BACK-FLIP TYPE
R/A (Dual contact)
PACKAGE TA-EMBOSSED

DIMENSION IN mm (Inch)		PROD. SPEC.	KINGFONT PRECISION INDUSTRIAL CO., LTD.	
TOLERANCE UNLESS OTHERWISE SPECIFIED		PKG. SPEC.	TITLE 0.3mm Pitch FPC Conn. (H=0.6)	CUSTOMER DRAWING
.X±	X.*±	APPROVE Gary	FILE NO.	DWG NO. FPCT8-Zxx01D306
.XX±	.X.*±	CHECK Mmp	SIZE A4	PROJ. SHEET 1/5
.XXX±	XX.*±	DRAW Mmp	SCALE 10:1	REV A

1 2 3 4 5 6 7 8 QR-2100-043

REV	MODIFICATION	DATE	DRAW

RECOMMENDED METAL MASK PATTERN

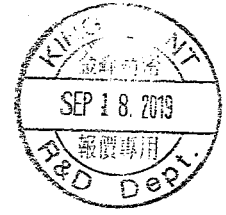
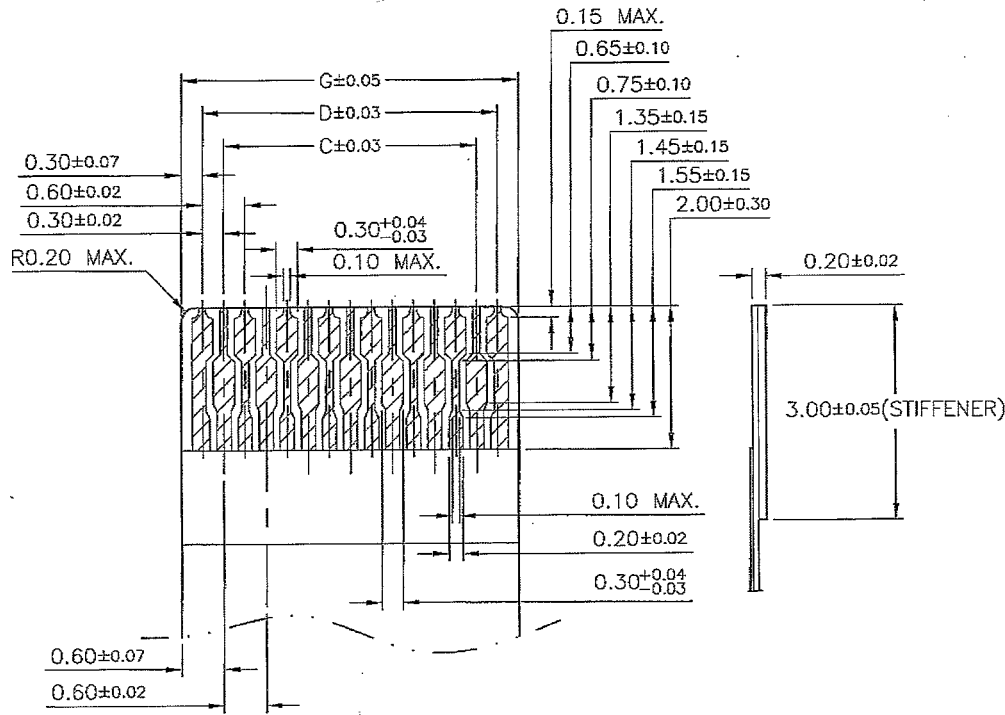


NO. OF CONTACTS	DIM. C	DIM. D
13	3.00	3.60
15	3.60	4.20
17	4.20	4.80
21	5.40	6.00
23	6.00	6.60
25	6.60	7.20
27	7.20	7.80
31	8.40	9.00
33	9.00	9.60
35	9.60	10.20
37	10.20	10.80
39	10.80	11.40
45	12.60	13.20
51	14.40	15.00

DIMENSION IN mm [Inch]		PRIM. SPEC.	KINGFONT PRECISION INDUSTRIAL CO., LTD.	
TOLERANCE UNLESS OTHERWISE SPECIFIED		PKG. SPEC.	TITLE	CUSTOMER DRAWING
.X±	X.*±	APPROVE	0.3mm Pitch FPC Conn. (H=0.6)	FPCT8-Zxx01D306
.XX±	.X.*±	CHECK	FILE NO.	
.XXX±	XX.*±	DRAW	SIZE	PROJ. SHEET 2 / 5
			A4	SCALE 10:1 REV A

1 2 3 4 5 6 7 8

REV	MODIFICATION	DATE	DRAW



NO. OF CONTACTS	DIM. C	DIM. D	DIM. G
13	3.00	3.60	4.20
15	3.60	4.20	4.80
17	4.20	4.80	5.40
21	5.40	6.00	6.60
23	6.00	6.60	7.20
25	6.60	7.20	7.80
27	7.20	7.80	8.40
31	8.40	9.00	9.60
33	9.00	9.60	10.20
35	9.60	10.20	10.80
37	10.20	10.80	11.40
39	10.80	11.40	12.00
45	12.60	13.20	13.80
51	14.40	15.00	15.60

APPLICABLE FPC
ODD CONTACT

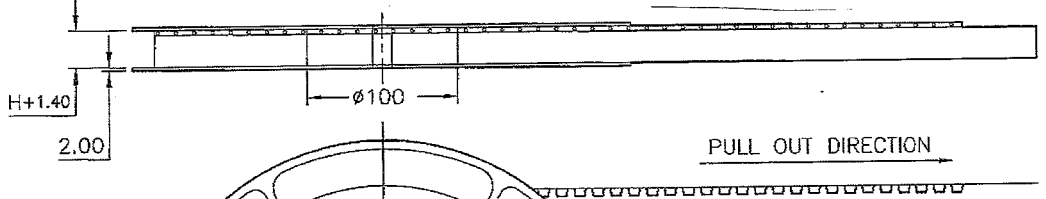
DIMENSION IN mm (Inch)		PRD. SPEC.	KINGFONT PRECISION INDUSTRIAL CO., LTD.	
TOLERANCE UNLESS OTHERWISE SPECIFIED		PKG SPEC.	TITLE 0.3mm Pitch FPC Conn. (H=0.6)	CUSTOMER DRAWING
.X±	X*±	APPROVE: <i>Gan Y</i>	FILE NO.	DWG NO. FPCT8-Zxx01D306
.XX±	.X*±	CHECK: <i>Mmp</i>	SIZE A4	PROJ. SHEET 3 / 5
.XXX±	XX*±	DRAW: <i>Mmp</i>	SCALE 10:1	REV A

1 2 3 4 5 6 7 8 QR-2100-043

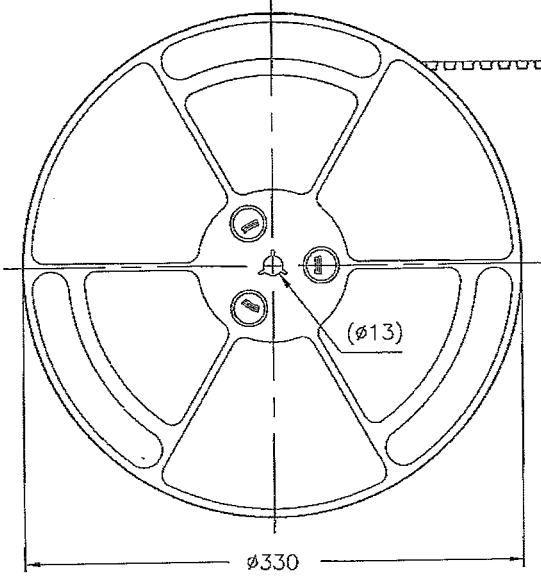
1 2 3 4 5 6 7 8

REV	MODIFICATION	DATE	DRAW

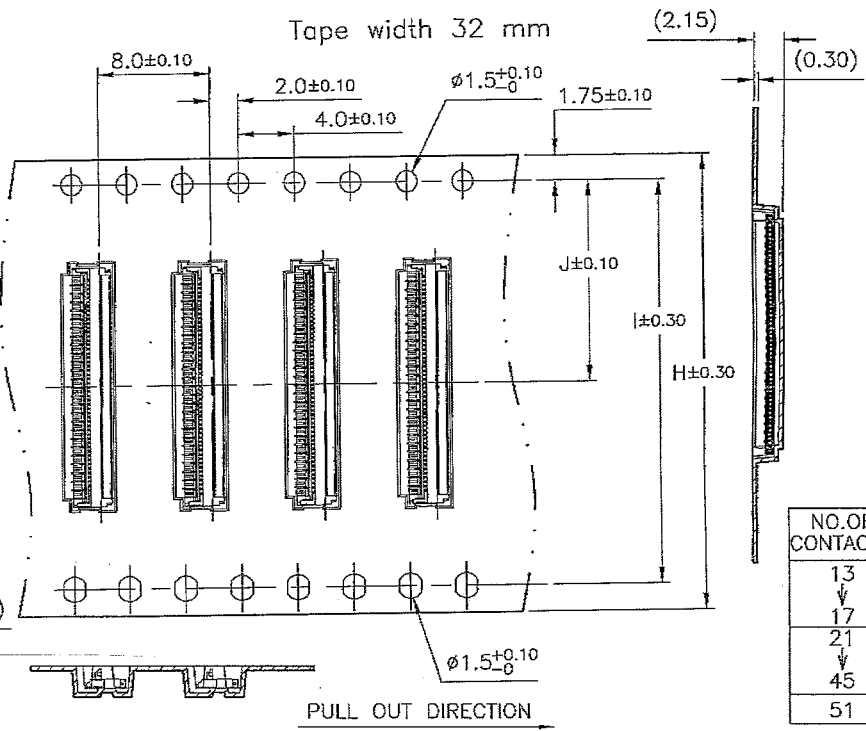
EMBOSSSED TAPE PACKAGING



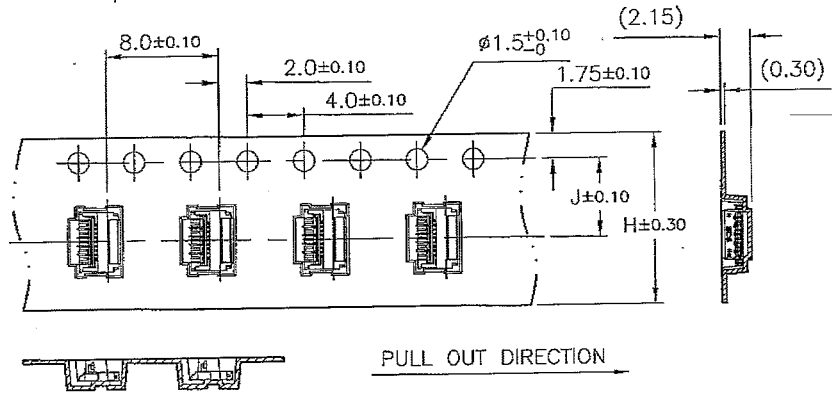
- NOTE:
- 1.10 SPROCKET HOLE PITCH CUMULATIVE TOLERANCE $\pm 0.2\text{mm}$
 2. CARRIER CAMBER IS WITHIN 1 mm IN 250mm.
 3. MATERIAL : BLACK CONDUCTIVE POLYSTYRENE ALLOY.
 4. THICKNESS : $0.3 \pm 0.05\text{mm}$.
 5. COMPONENT LOAD PER 13" REEL : 4000 PCS



Tape width 16 and 24 mm

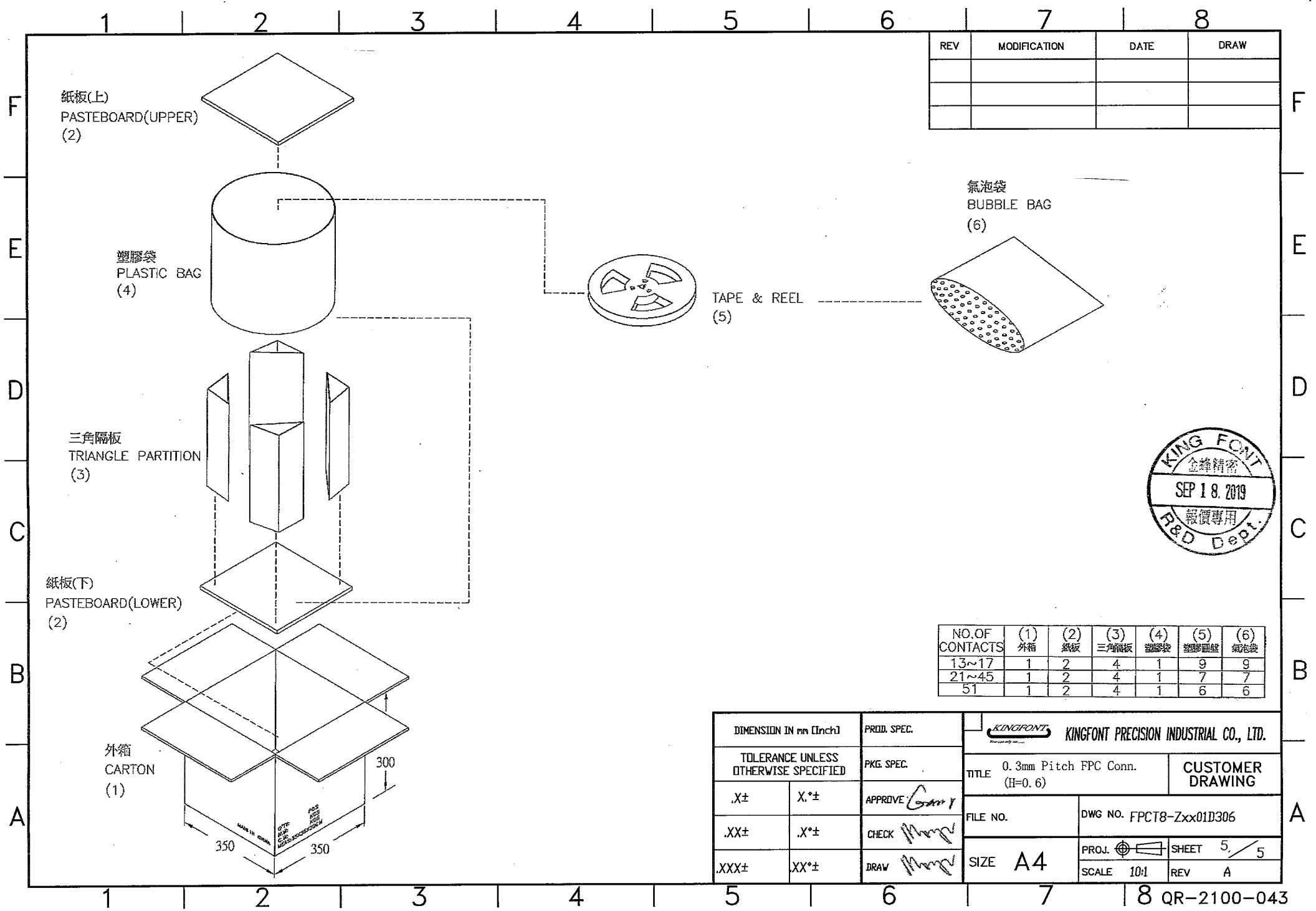


NO. OF CONTACTS	DIM. H	DIM. I	DIM. J
13	16	—	7.5
17			
21	24	—	11.5
45			
51	32	28.4	14.2



DIMENSION IN mm (Inch)		PRD. SPEC.	KINGFONT KINGFONT PRECISION INDUSTRIAL CO., LTD.	
TOLERANCE UNLESS OTHERWISE SPECIFIED		PKG. SPEC.	TITLE 0.3mm Pitch FPC Conn. (H=0.6) CUSTOMER DRAWING	
.X±	X*±	APPROVE <i>Cam Y</i>	FILE NO.	DWG NO. FPCT8-Zxx01D306
.XX±	.X*±	CHECK <i>Mmp</i>	SIZE A4	PROJ. SHEET 4 / 5
.XXX±	XX*±	DRAW <i>Mmp</i>	SCALE 10:1	REV A

1 2 3 4 5 6 7 8 QR-2100-043



REV	MODIFICATION	DATE	DRAW



NO. OF CONTACTS	(1) 外箱	(2) 紙板	(3) 三角隔板	(4) 塑膠袋	(5) 塑膠圍盤	(6) 氣泡袋
13~17	1	2	4	1	9	9
21~45	1	2	4	1	7	7
51	1	2	4	1	6	6

DIMENSION IN mm [Inch]		PROB. SPEC.	KINGFONT PRECISION INDUSTRIAL CO., LTD.	
TOLERANCE UNLESS OTHERWISE SPECIFIED		PKG. SPEC.	TITLE 0.3mm Pitch FPC Conn. (H=0.6) CUSTOMER DRAWING	
.X±	X.*±	APPROVE <i>Cam Y</i>	FILE NO.	DWG NO. FPCT8-Zxx01D306
.XX±	.X.*±	CHECK <i>Ming</i>	SIZE A4	PROJ. SHEET 5/5
.XXX±	.XX.*±	DRAW <i>Ming</i>	SCALE 10:1	REV A