

ROLLON[®]
Linear Evolution

O-Rail



Product explanation



> “O-Rail - unique assembly possibilities



Fig. 1

The roller linear system O-Rail offers the maximum flexibility configuration due to the original shape of the guide with 3 raceways arranged at 90 ° to each other where on each of those can slide rollers R..43G series. Using a single guide, two, or more parallel guides, gives rise to a number of combinations capable of satisfying each specific need for linear motion and offering exceptional self-alignment capacity. O-Rail is constructed in high strength steel hardened with hardening treatments, for a further improvement of both performance and durability.

O-Rail is designed to be a strong and simple multitask linear system for larger handling and automation applications. It is an easy to assemble system, that offers smooth motion even on inaccurate surfaces.

> FXRG series

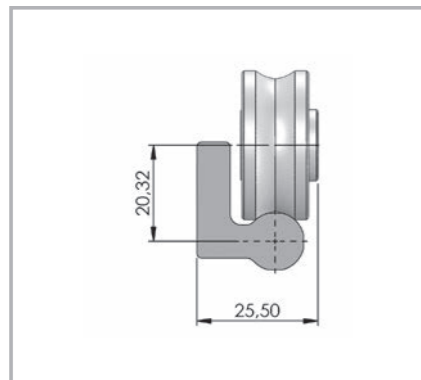


Fig. 2

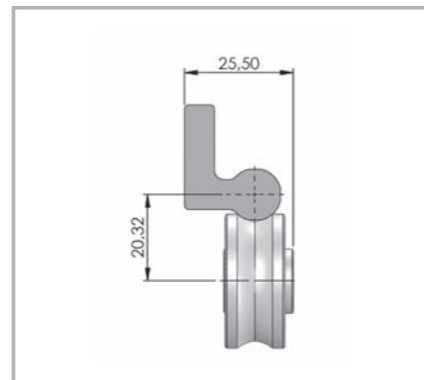


Fig. 3

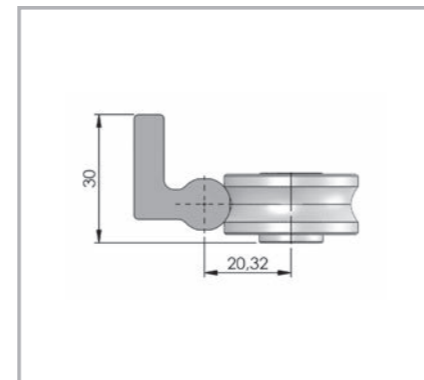


Fig. 4

General characteristics



New GEOMETRICAL DESIGN of the contact areas, based on Gothic arch raceways

- Superior sliding
- Very low friction
- Long lifetime
- Greater load capacity
- Very compact design

New rollers, double row bearings, with increased thickness of outer ring, gothic profile and finished raceways.

- Increased load capacity
- Increased lifetime
- Extremely low noise
- High speed
- Lubricated with low-temperature grease
- Temperature range -40 ° to + 130 ° c
- Neoprene lateral seals for dust protection

Self-aligning system when using two parallel rails, compensating large assembly inaccuracies on both longitudinal and transversal plane.

- allow for installation on non precise structures - welded carpentry or aluminium frame structures
- Do not require machined fixing surfaces for installation. Cost saving, as easy and fast assembly

Patented process ROLLON-NOX, to further improve the rail material and thermochemical hardening treatment of deep nitriding and post-oxidation black for an effective corrosion protection.

- Very high hardness
- Resistance to heavy loads
- Very low wear
- Effective corrosion protection
- Smooth black finish

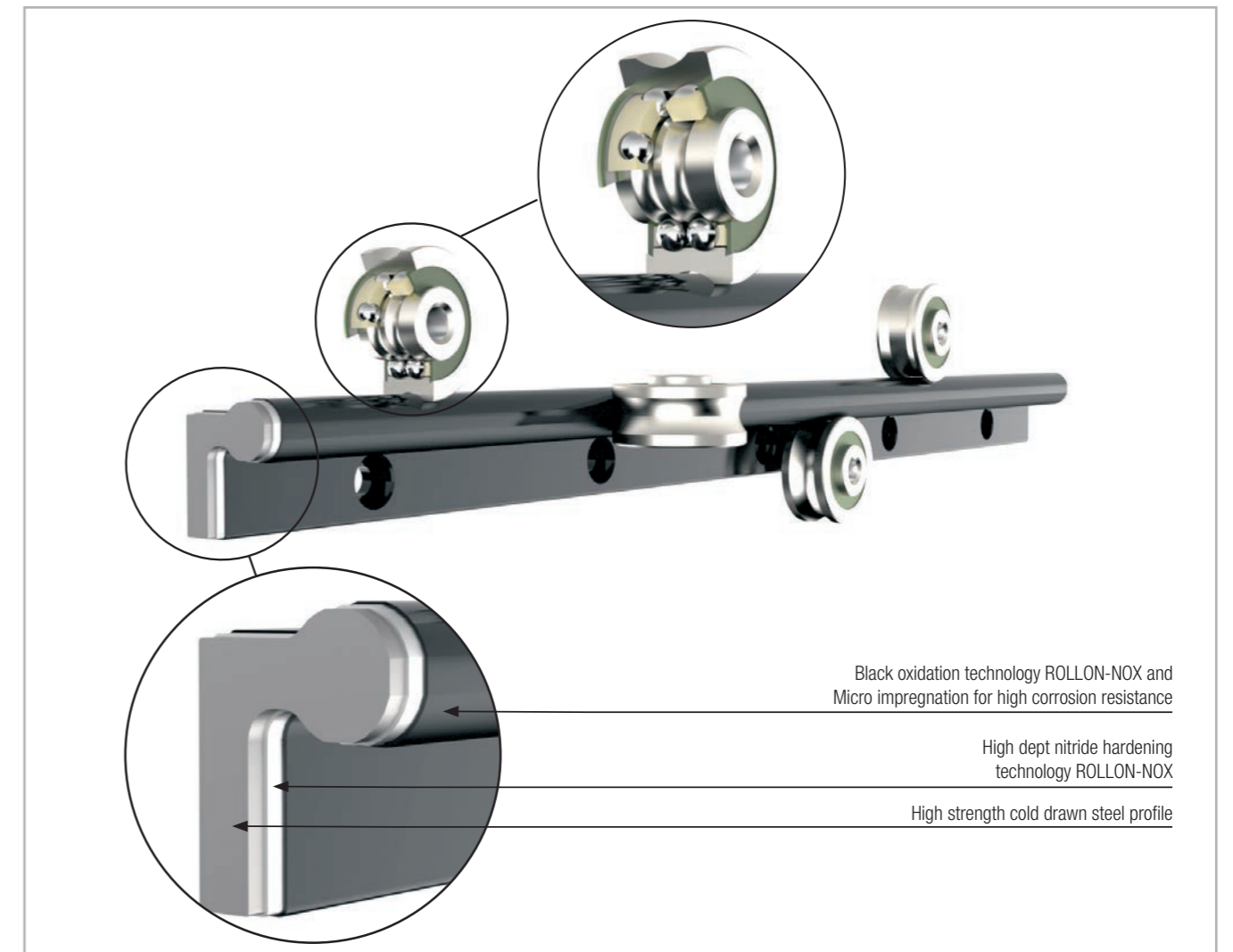


Fig. 5

> Configurations

The FXRG allows a wide range of configurations when using two or more rails in parallel. Depending on required load and moment capacities/ direction more single rollers and standard sliders are used to obtain

unique Self-aligning systems. Contact ROLLON for eventual support in dimensioning customized systems .

FXRG with guiding slider with limited rotational capacity

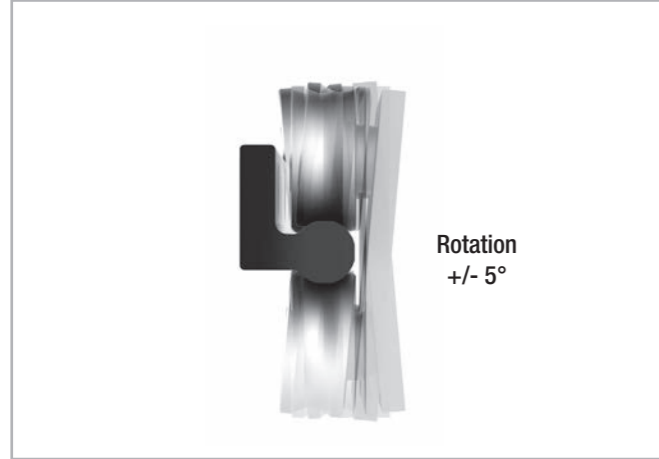


Fig. 6

Combination of two FXRG with resting load

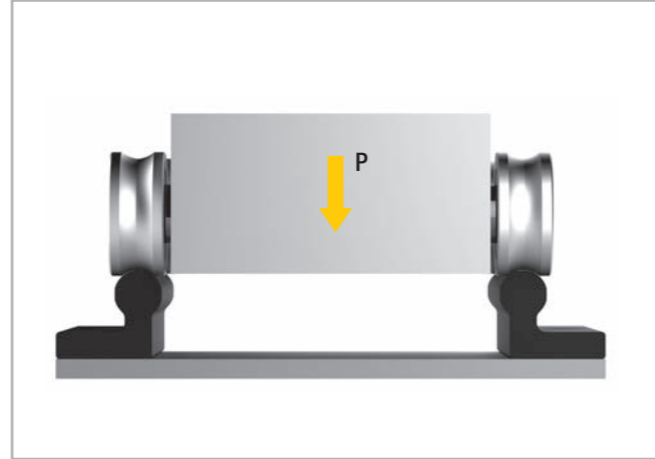


Fig. 7

Configuration with two parallel FXRG with self-aligning capacity

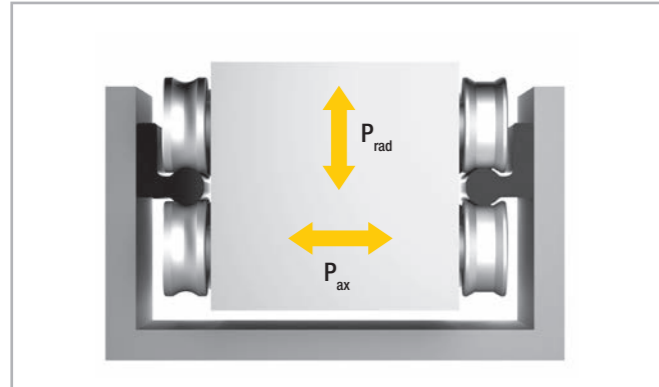


Fig. 8

Configuration with two FXRG to form a single rail with a slider allowing for high Mx moments

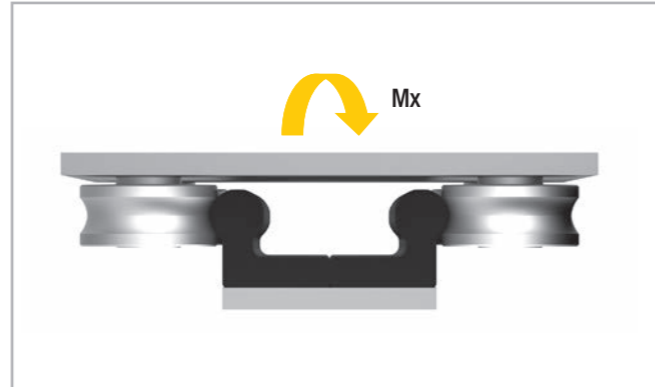


Fig. 9

Telescopic configuration

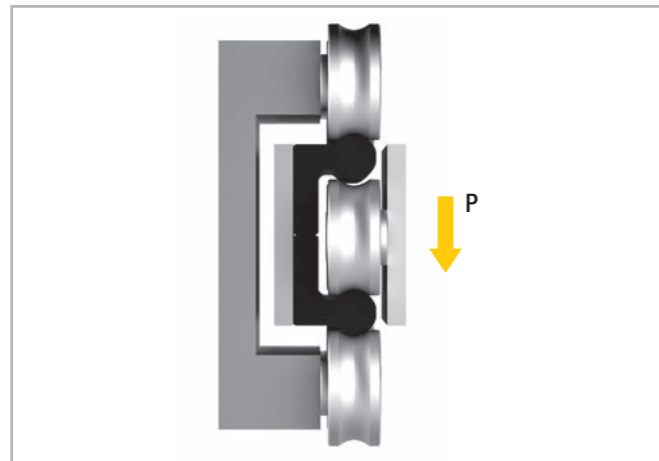


Fig. 10

Configuration of two FXRG

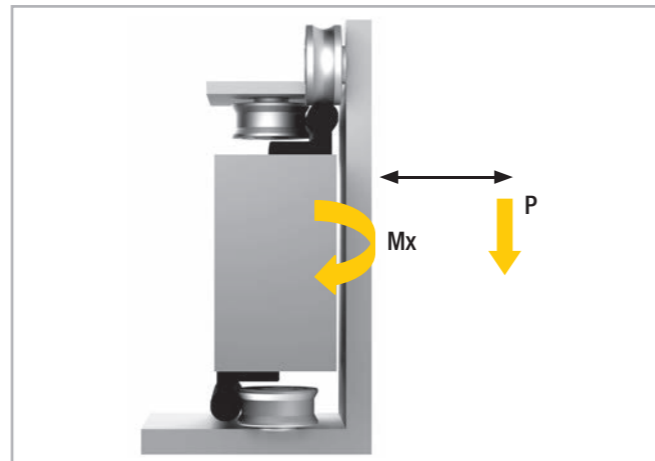


Fig. 11

Composed of two FXRG rails with rollers in between the rails fixed to mobile part and rollers on fixed structure running on outer raceways, providing a customized solutions for telescopic movements.

With high cantilever load capacity, meanwhile Self-aligning.

Dimensions and load capacity



> FXRG series

FXRG is a high precision cold drawn profile of high strength steel. After a high depth nitride hardening treatment the rails are oxidized, assuring high hardness and excellent corrosion resistance. The characteristic black color on the whole rail is the result of oxidation and subsequent process

of micro-impregnation with oils and substances for improved smoothness and long life. The fixing holes are for standard M6 cylindrical low head screws, DIN 7984, with 80mm pitch .

Position of guiding roller - Concentric RCV43G on the three raceways

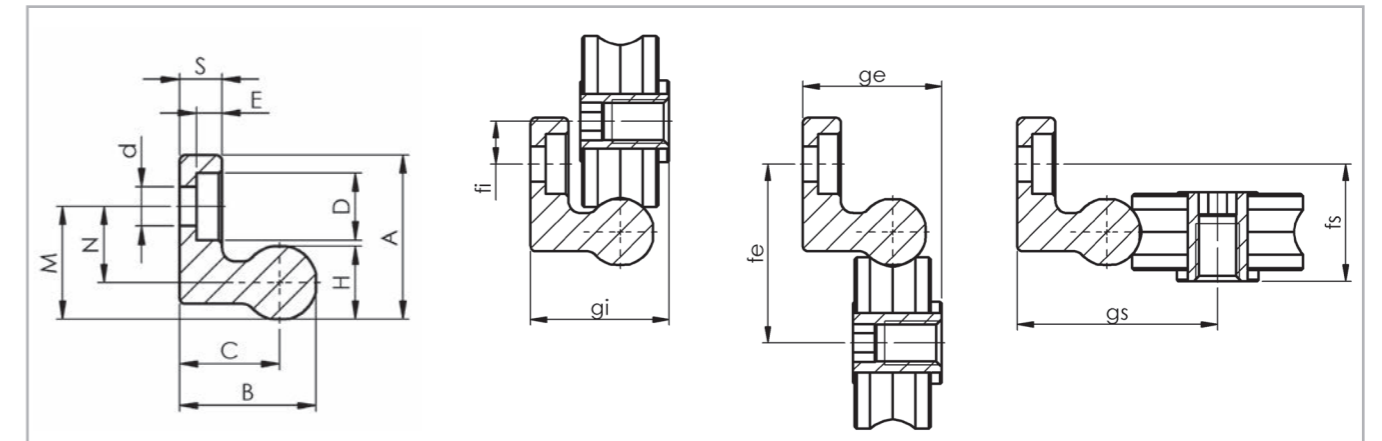


Fig. 12

Code	A (mm)	B (mm)	S (mm)	H (mm)	C (mm)	d (mm)	D (mm)	E (mm)	Screw type	M (mm)	N (mm)	Weight (g)
FXRG	27,02	22,52	7,00	12,04	16,50	6,50	11,00	4,20	M6 DIN 7984	18,52	12,50	2,48

Tab. 1

Axial movement of floating roller R.P43G with FXRG

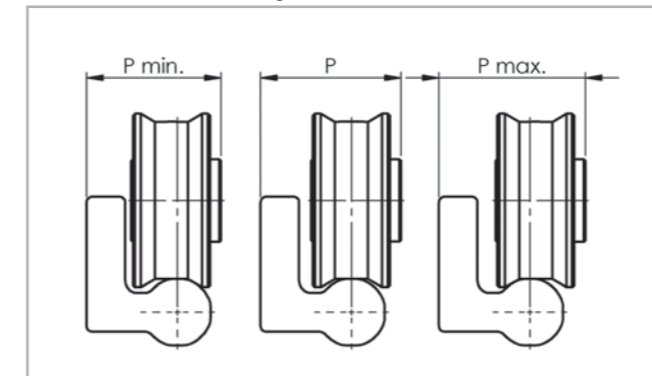


Fig. 13

Rotation of guiding roller R.V43G on FXRG

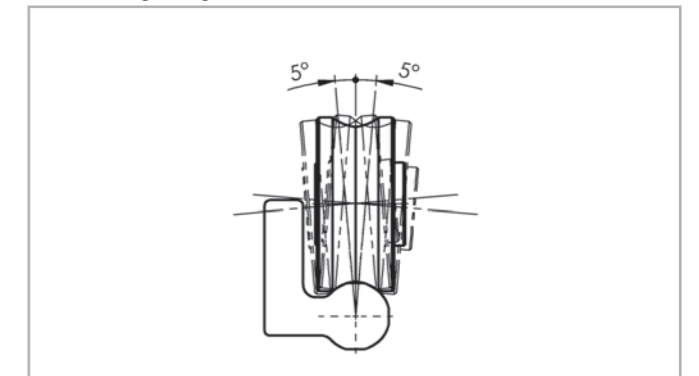


Fig. 14

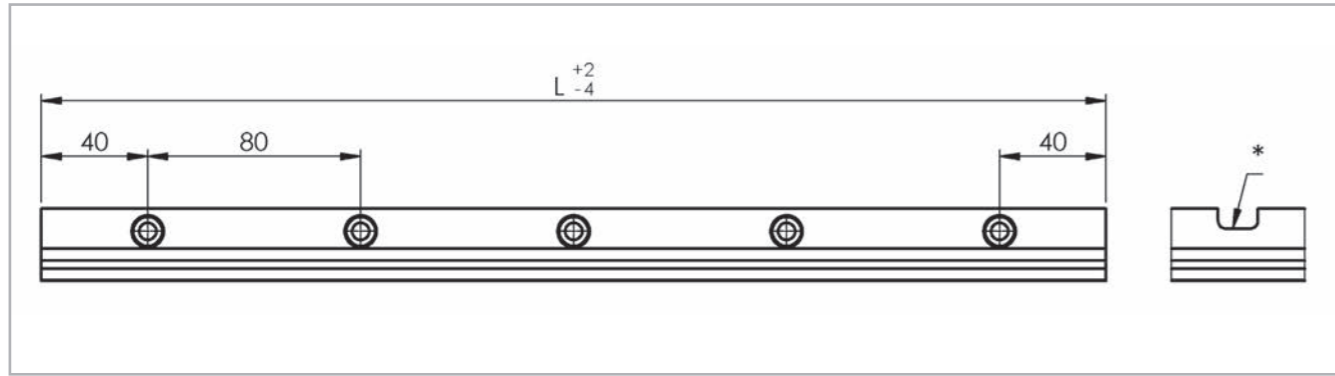
Code	P (mm)	movement	P _{min} (mm)	P _{max} (mm)
FXRG	25,50	+/-1	24,50	26,50

Tab. 2

fi (mm)	gi (mm)	fe (mm)	ge (mm)	fs (mm)	gs (mm)
7,82	25,50	32,82	25,50	21,50	36,82

Tab. 3

Avialable lengths



*Version FXRG-...-C with additional slot

Fig. 15

Dimensions from 400 mm to 2000 mm

Rail codes	Length L (mm)																								
	160	240	320	400	480	560	640	720	800	880	960	1040	1120	1200	1280	1360	1440	1520	1600	1680	1760	1840	1920	2000	
FXRG				•	•	•	•	•	•	•	•	•	•	•	•	•	•	•	•	•	•	•	•	•	•

• Available in stock

Tab. 4

Dimensions from 2080 mm to 4000 mm

Rail codes	Length L (mm)																								
	2080	2160	2240	2320	2400	2480	2560	2640	2720	2800	2880	2960	3040	3120	3200	3280	3360	3440	3520	3600	3680	3760	3840	3920	4000
FXRG	•	•	•	•	•	•	•	•	•	•	•	•	•	•	•	•	•	•	•	•	•	•	•	•	•

• Available in stock

Tab. 5

Order codes	Version	Characteristics
FXRG-1040	BASIC	Cold drawn profile with high depth nitride hardening "ROLLON-NOX", oxidation with micro oil impregnation. Ends are cut to size after treatments and sprayed with protective black paint.

Tab. 6

> Rollers for FXRG

Guiding roller R.VG and floating roller R.PG

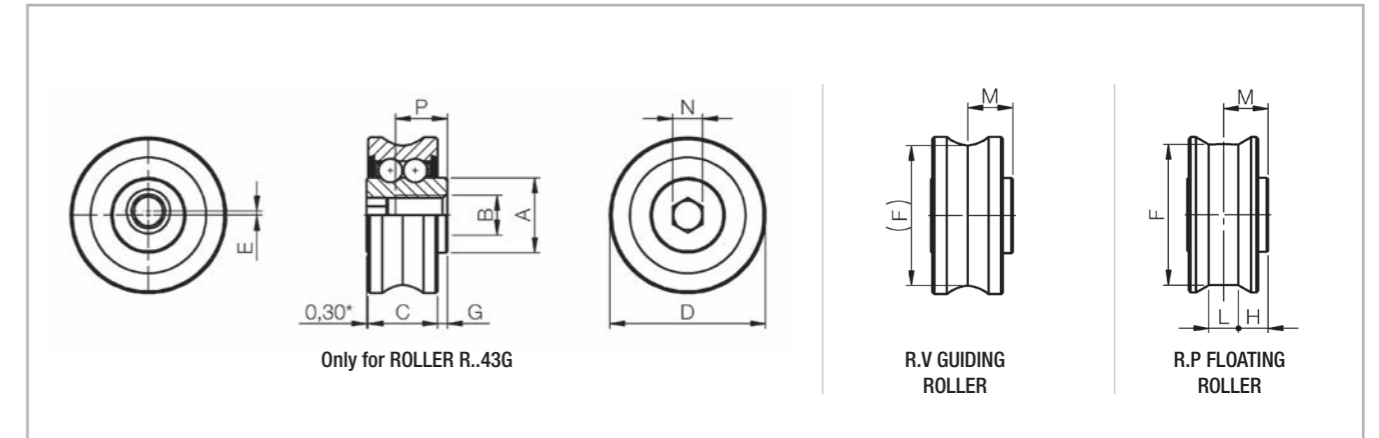


Fig. 16

Roller code	Type	Versions	E (mm)	D (mm)	C (mm)	M (mm)	G (mm)	N chi-ave	A (mm)	B (mm)	P (mm)	F (mm)	L (mm)	H (mm)	Weight (g)	Dynamic coefficient C (N)	Load capacity	
																	Co _{rad} (N)	Co _{ax} (N)
RCV43G	Concentric	GUIDING	-	31,4	14	9	2	6	15	M8	10,5	-	-	-	50	7600	4000	1190
RCP43G		FLOATING	-	31,5								28,59	6	6		7600	4000	0
REV43G	Eccentric	GUIDING	0,8	31,4	14	9	2	6	15	M8	10,5	-	-	-	50	7600	4000	1190
REP43G		FLOATING		31,5								28,59	6	6		7600	4000	0

Tab. 7

Self-aligning combinations

When FXRG rails are used in parallel, the use of floating rollers R.P43G and guiding rollers R.V43G provides a Self-aligning system, capable of compensating grete inaccuracies of structure or assembly errors. The guiding rollers R.V43G in contact with the FXRG's gothic raceways assure precise guiding while compensating misalignment, as they are able to

rotate slightly around the longitudinal axis of about +/- 5°. Combined with floating rollers R.P43G on a parallel rail, such system can compensate an axial displacement of +/- 1 mm, in addition to a max. rotation of +/- 5°.

The combination effect of both rotation and lateral movement, allow two parallel rails to compensate for misalignment on both a) and b) level.

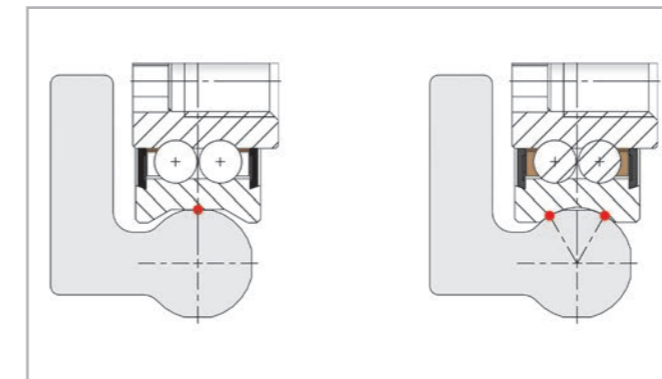


Fig. 17

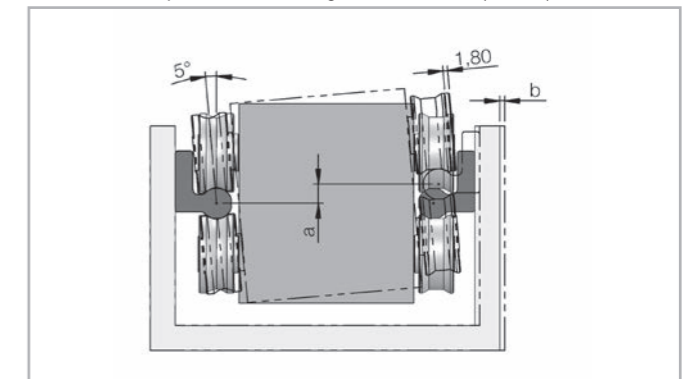


Fig. 18

> **Mounting configurations**

The concentric rollers should be positioned in the direction of radial loading. Warning! A single slider configuration will rotate +/- 5° around the longitudinal axis of a single FXRG rail, not able to take any Mx moments.

Single rail with 3 rollers slider

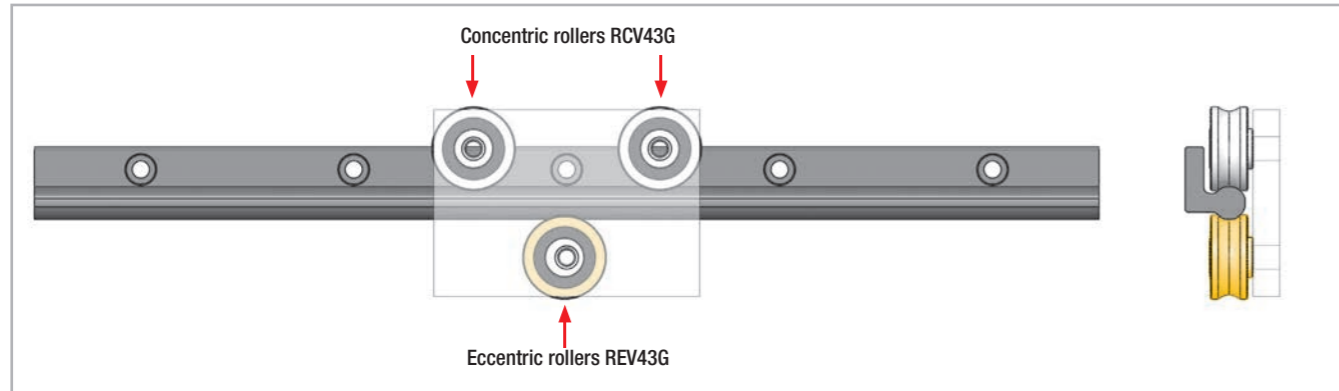


Fig. 19

It is recommended, when more than two rollers are on the same track with max. radial load, to use only two concentric rollers (as from example figure). The others should be eccentric. For cases with a wider distance between concentric rollers, please contact ROLLON's Technical department for dimensioning.

Single rail with 5 rollers slider

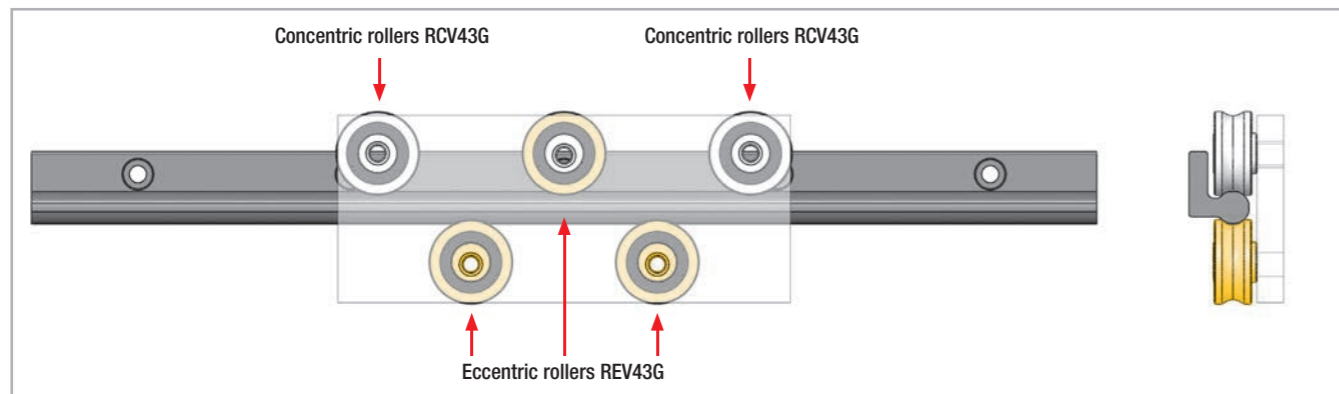


Fig. 20

Double rail with slider for high overturning moments

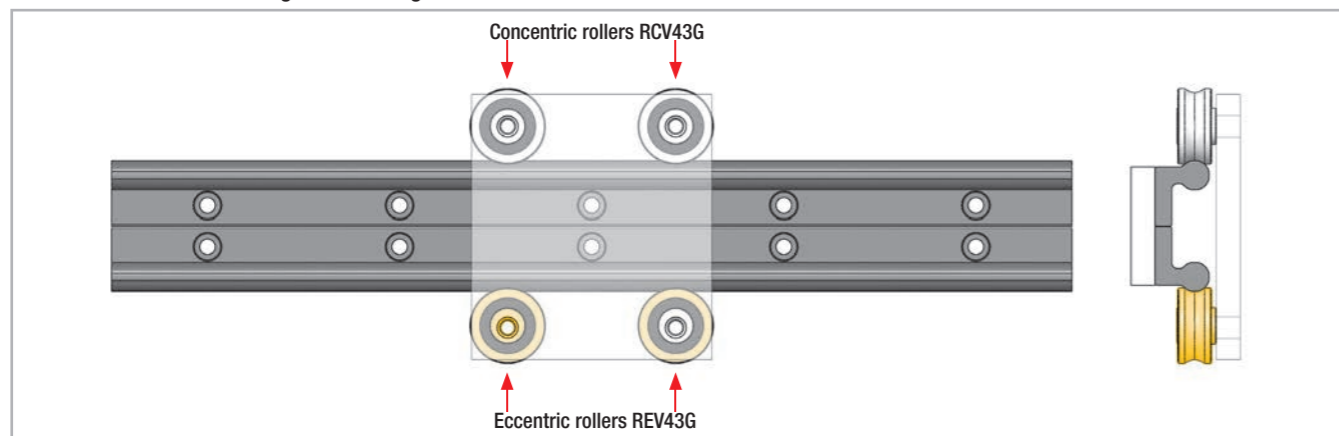


Fig. 21

The rollers need to be positioned on the rail in numbers and directions according to the prevailing load. It is always preferable to orient the rollers so that the prevailing load acts radially, due to higher radial load capacity.

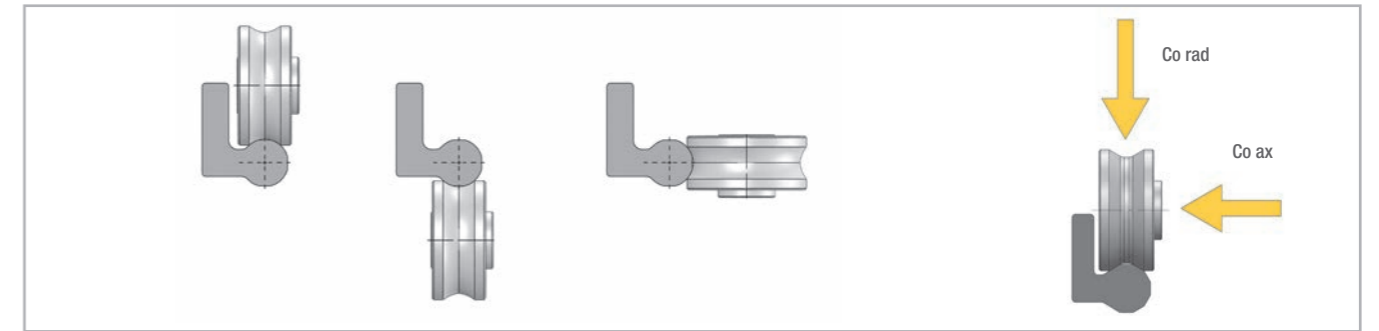


Fig.22

The rollers must be fixed on a metal surface not yielding, perfectly flat and with its fixing screws, applying a locking torque of 22 Nm. The tightening of the fixing-screw is to be performed, while holding the roller firm with an Allen-wrench, present on the opposite side of the fixing thread. In case eccentric rollers, it is advisable to use a cup-spring washer under the screw-head to obtain a firm movement, able to maintain the roller "firm" against the surface and facilitate minor adjustment of eccentric roller, before the final locking.

The preload adjustment can also be carried out by checking the force F_i of insertion of the movable part, in which the rollers are fixed into the rail. In general for a good F_i adjustment, the inserting friction must be between 2-10 N. To increase or decrease the F_i act on eccentric rollers, opposite to the load direction (see figure below).

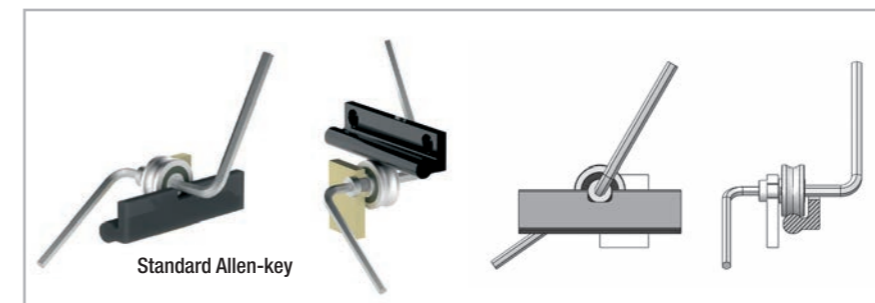
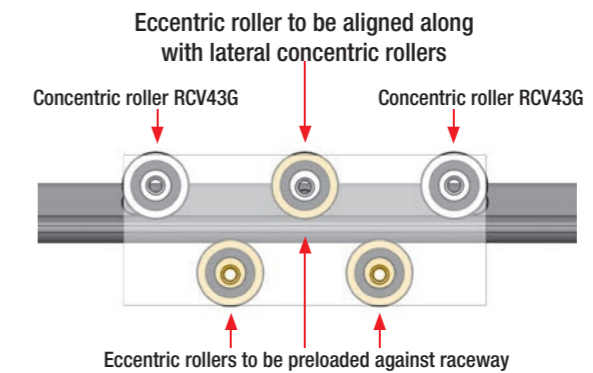


Fig. 23

In case required to have eccentric rollers on the internal rail side, it is necessary to include optional accesses, to allow Allen-key to reach the roller. Otherwise the adjustment can take place outside of the rail.

Possible configurations



Fig. 24



ROLLON S.p.A. - ITALY

Via Trieste 26
I-20871 Vimercate (MB)
Phone: (+39) 039 62 59 1
www.rollon.it - infocom@rollon.it

● Rollon Branches & Rep. Offices
● Distributors

Branches:

ROLLON GmbH - GERMANY

Bonner Strasse 317-319
D-40589 Düsseldorf
Phone: (+49) 211 95 747 0
www.rollon.de - info@rollon.de

ROLLON B.V. - NETHERLANDS

Ringbaan Zuid 8
6905 DB Zevenaar
Phone: (+31) 316 581 999
www.rollon.nl - info@rollon.nl

Rep. Offices:

ROLLON S.p.A. - RUSSIA

117105, Moscow, Varshavskoye
shosse 17, building 1
Phone: +7 (495) 508-10-70
www.rollon.ru - info@rollon.ru

ROLLON S.A.R.L. - FRANCE

Les Jardins d'Eole, 2 allée des Séquoias
F-69760 Limonest
Phone: (+33) (0) 4 74 71 93 30
www.rollon.fr - infocom@rollon.fr

ROLLON Corporation - USA

101 Bilby Road, Suite B
Hackettstown, NJ 07840
Phone: (+1) 973 300 5492
www.rolloncorp.com - info@rolloncorp.com

ROLLON Ltd - UK

The Works 6 West Street Olney
Buckinghamshire, United Kingdom, MK46 5 HR
Phone: +44 (0) 1234964024
www.rollon.uk.com - info@rollon.uk.com

ROLLON Ltd - CHINA

No. 16 Jin Wen Road,
China, Shanghai, 201323
Phone: +86 21 5811 8288
www.rollon.cn.com - info@rollon.cn.com

ROLLON India Pvt. Ltd. - INDIA

1st floor, Regus Gem Business Centre, 26/1
Hosur Road, Bommanahalli, Bangalore 560068
Phone: (+91) 80 67027066
www.rollonindia.in - info@rollonindia.in

Regional Manager:

ROLLON - SOUTH AMERICA

R. Joaquim Floriano, 397, 2o. andar
Itaim Bibi - 04534-011, São Paulo, BRASIL
Phone: +55 (11) 3198 3645
www.rollonbrasil.com.br - info@rollonbrasil.com

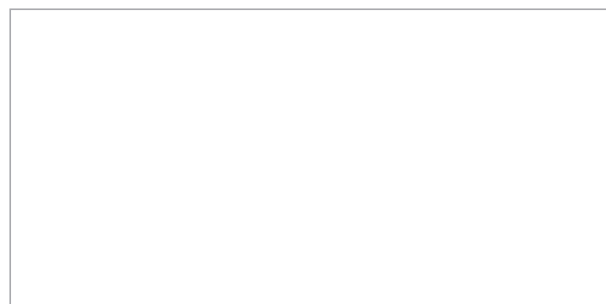
ROLLON - JAPAN

3F Shiodome Building, 1-2-20 Kaigan, Minato-ku,
Tokyo 105-0022 Japan
Phone +81 3 6721 8487
www.rollon.jp - info@rollon.jp

Consult the other ranges of products



Distributor



All addresses of our global sales partners can also be found at www.rollon.com

The content of this document and its use are subject to the general terms of sale of ROLLON available on the web site www.rollon.com
Changes and errors expected. The text and images may be used only with our permission.