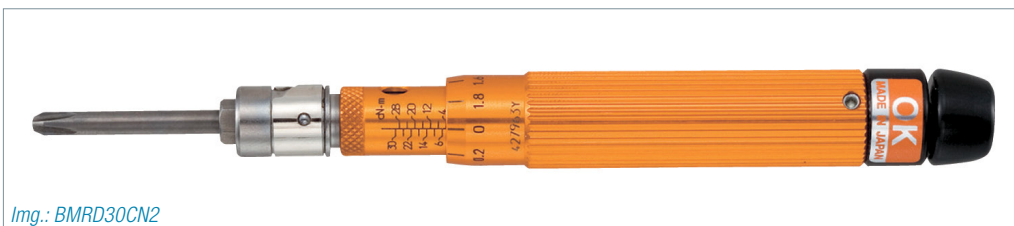


Adjustable Torque Screwdriver – BMRD / BMLD



Img.: BMRD30CN2



Img.: BMLD30CN2

Small Screwdriver with Micrometer Scale

Tohnichi's **BMRD / BMLD** series torque screwdriver provides same features as series RTD/LTD, except designed for tightening small screws. Thereby this model is ideal for assembly of watches, precision electronic equipment, computer, etc.

The desired torque can be set quickly and easily along the micrometre scale. Fingertip grip ergonomics enable tightening in one precise movement.

Standard bits with 1/4" hexagon according to DIN 3126 E 6.3 can be used (available separately).

- ▶ Adjustable via engraved micrometer scale.
- ▶ Forefinger grip ergonomics.
- ▶ Standard version releasing in clockwise direction.
- ▶ Accuracy and calibration compliant to EN ISO 6789; type II, class D.
- ▶ Internationally traceable calibration certificate (ISO/JCSS).

Versions

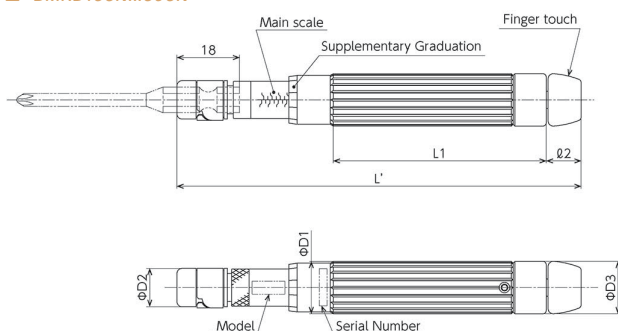
- ◆ **BMRD**: Once the set torque has been reached, the integrated rotary slip clutch reliably prevents the screw from being overtightened.
- ◆ **BMLD**: Like BMRD, but with a single click signal instead of a slipping clutch. This makes it ideal for applications that are sensitive to vibration and where the slip clutch vibration could be detrimental.

Options

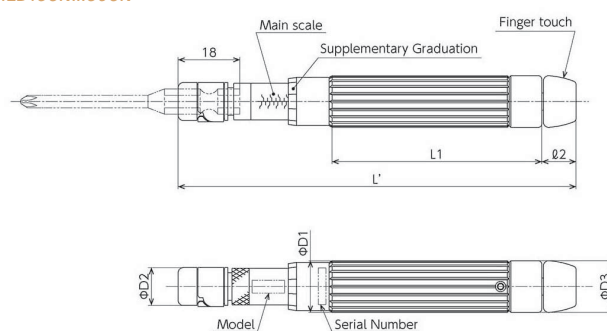
INFO

- Models available in imperial units (lbf-in).
- Models in metric units (kgf-cm) on request.

■ BMRD15CN...30CN



■ BMLD15CN...30CN



BMRD (S.I.) – rotary slip

Model	Item No.	Torque Range * cN·m	Graduation cN·m	Applicable Screws		– Dimensions [mm] –						Weight kg	Hex Drv inch
				small	tapping	L'	L1	l2	øD1	øD2	øD3		
BMRD 15 CN2	T202066	3 - 15	0.1	(M1,8)	(M1,4) M1,6	116	62	10	15	11	15	0.05	¼
BMRD 30 CN2	T202069	10 - 30	0.2	M2 (M2,2)	(M1,8) M2	116	62	10	15	11	15	0.05	¼

BMLD (S.I.) – click type

Model	Item No.	Torque Range* cN·m	Graduation cN·m	Applicable Screws		– Dimensions [mm] –						Weight kg	Hex Drv inch
				small	tapping	L'	L1	l2	øD1	øD2	øD3		
BMRD 15 CN2	T202086	2 - 15	0.1	(M1,8)	(M1,4) M1,6	116	62	10	15	11	15	0.05	¼
BMRD 30 CN2	T202089	4 - 30	0.2	M2 (M2,2)	(M1,8) M2	116	62	10	15	11	15	0.05	¼



Further info on our website.
24/7

* Table showing specifications by manufacturer. Usage in moderate performance range (approx. 1/3 to 4/5 of rated capacity) is recommended. If you regularly worked close to the limit of load (maximum capacity), a larger model or tool might be more advisable.

TEL: +49(0)40 303 989 100 • FAX: +49(0)40 303 989 101 • EML: info@zemo-tools.de