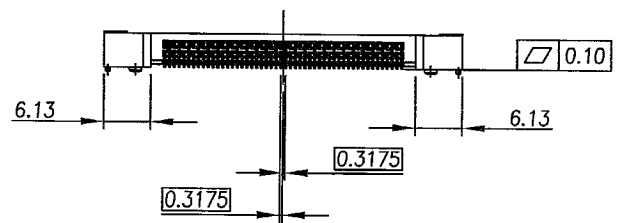
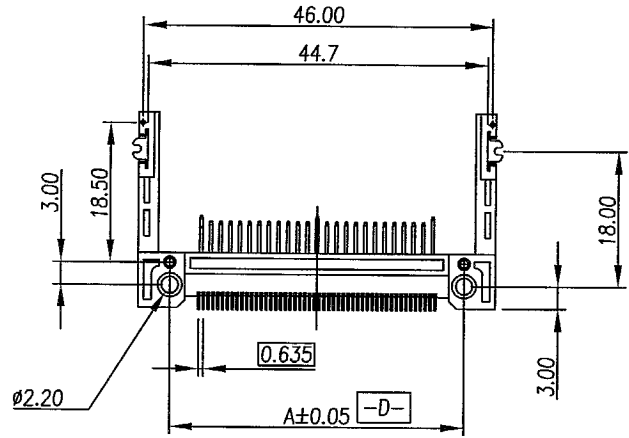
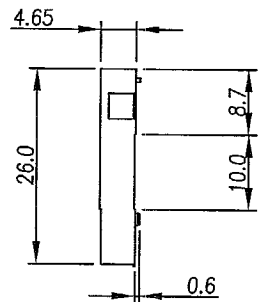
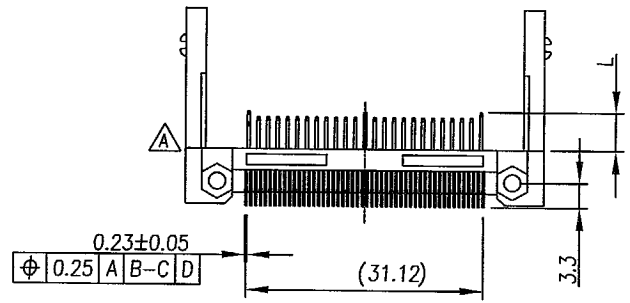
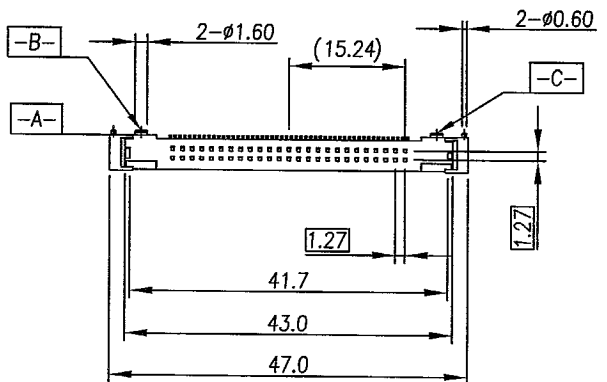
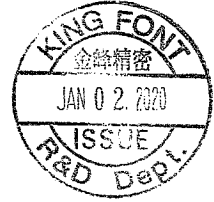


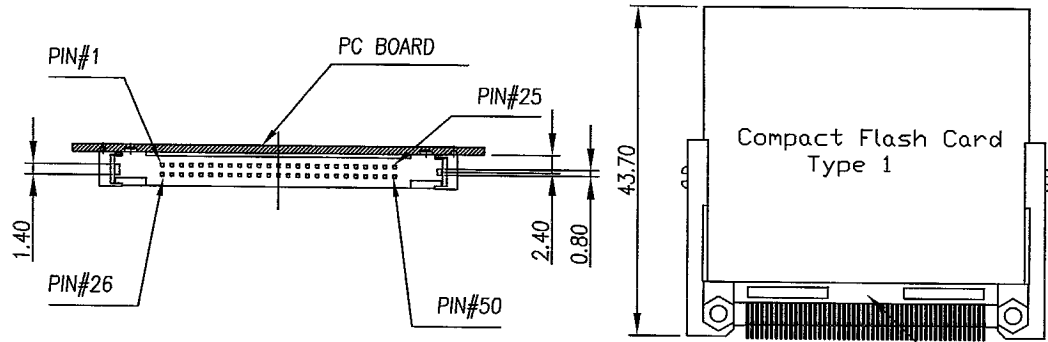
Pin Type	Interface Dim L	Pin Type	REV	MODIFICATION	DATE	DRAW
Detect	3.5 mm	25,26				
General	4.25 mm	All Other Pins				
Power	5.0 mm	1,13,38,50				



DIMENSION IN mm [Inch]		PROD. SPEC. SP0028	KINGFONT PRECISION INDUSTRIAL CO., LTD.	
TOLERANCE UNLESS OTHERWISE SPECIFIED		PKG. SPEC. PPP-CFC-004	CF CARD CONN. TYPE1	CUSTOMER DRAWING
.X±0.30	X.*± 1*	APPROVE <i>Camy</i>	STAND-OFF 0.0mm REVERSE TYPE	
.XX±0.20	.X.*± 0.5*	CHECK <i>Maya</i>	FILE NO. KFP-028	DWG NO. CFCMD-45TxxW011
.XXX±0.10	.XX.*± 0.25*	DRAW <i>Maya</i>	SIZE A4	PROJ. SHEET 1 / 2
			SCALE 1:1	REV A

1 2 3 4 5 6 7 8

REV	MODIFICATION	DATE	DRAW



Ordering Information:

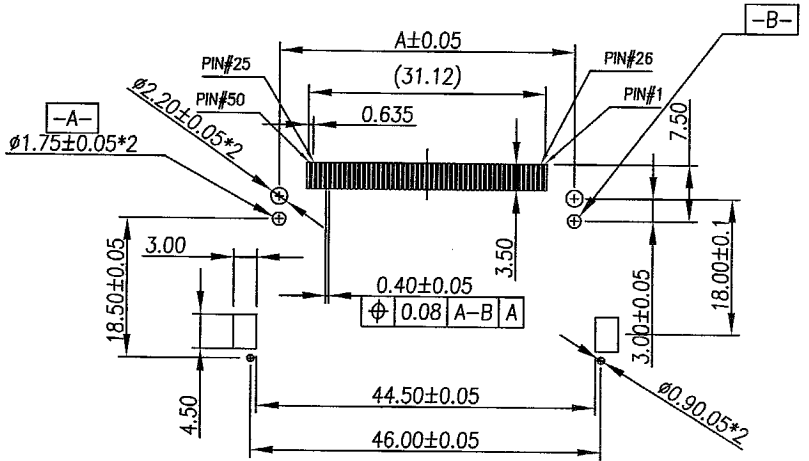
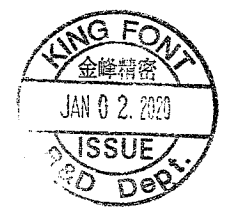
CFC M D -4 5 T XX W 0 1 X
 TYPE 1(SLIM) DIM-A
 Pin No. 50 Position Color: W--White. 1-40.16
 1 : REVERSE TYPE
 T : LEAD FREE TIN 100% 0 : STANDOFF 0mm

Contact Area Plating:
 15--15U" Gold Plating.
 30--30U" Gold Plating.

For Vacuum Pick (10.0mm*2.8mm)

SPECIFICATIONS:

- HOUSING : High Temperature Plastic, UL 94V-0
- CONTACT : Copper Alloys
- VOLTAGE RATING : 100VAC
- CURRENT RATING : 0.5A
- CONTACT RESISTANCE:40 m Ohm max.
- INSULATION RESISTANCE:1000M Ohm min.
- DIELECTRIC STRENGTH : 500VAC/1min
- OPERATION TEMPERATURE : -40°C~85°C



P.C.B Layout

DIMENSION IN mm [Inch]		PROD. SPEC. SP0028	KINGFONT PRECISION INDUSTRIAL CO., LTD.	
TOLERANCE UNLESS OTHERWISE SPECIFIED		PKG. SPEC. PPP-CFC-004	CF CARD CONN.TYPE1	CUSTOMER DRAWING
.X±0.30	.X"± 1"	APPROVE <i>Barry</i>	STAND-OFF 0.0mm REVERSE TYPE	
.XX±0.20	.X"± 0.5"	CHECK <i>Moya</i>	FILE NO. KFP-028	DWG NO. CFCMD-45TxxW011
.XXX±0.10	.XX"± 0.25"	DRAW <i>Moya</i>	SIZE A4	PROJ. SHEET 2 / 2
			SCALE 1:1	REV A

1 2 3 4 5 6 7 8 8F-01-R10