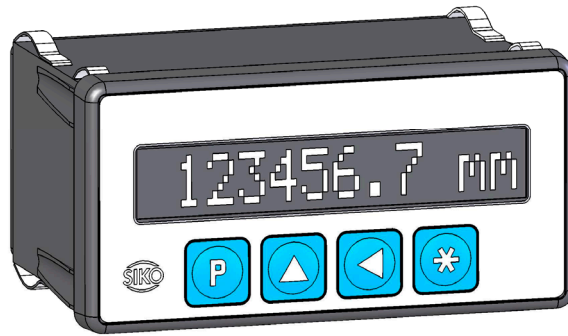


Electronic Display MA48



Features:

- LCD with high contrast, 12-digit, dot matrix
- For incremental measuring systems
- Freely programmable via front keyboard

SIKO GmbH

Address
 Weihermattenweg 2
 79256 Buchenbach

Telephone
 +49 7661 394-0

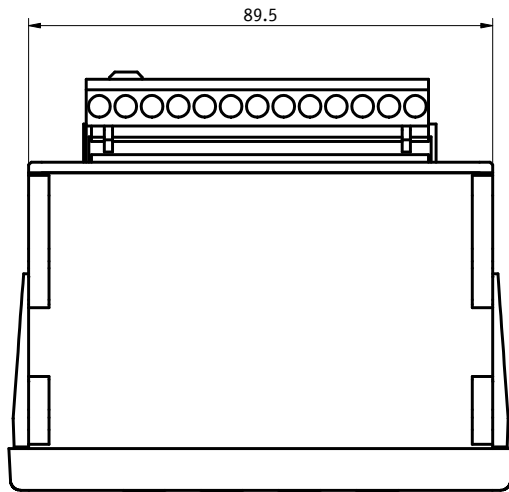
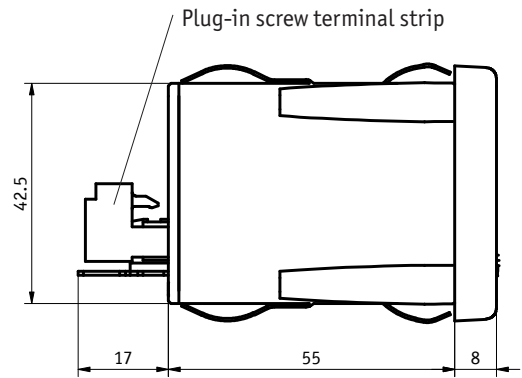
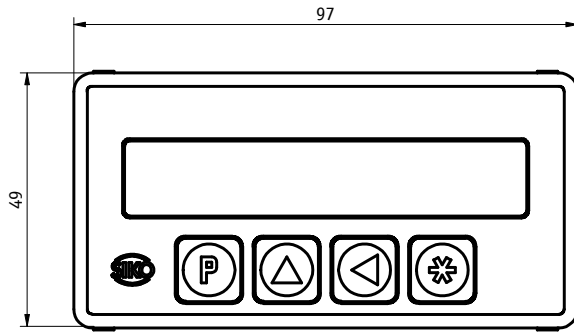
Fax
 +49 7661 394-388

eMail
 info@siko.de
Internet
 www.siko.de

Feature	Order text	Additional information
Design	EG A Panel case device	
Operating voltage	1 B 230 V AC ±10% 2 115 V AC ±10% 4 24 V DC ±20%	
Encoder membrane	PP/OC C Push-Pull / Open Collector OE Open Emitter OP PP inverted LD24 Linedriver / 24 VDC encoder supply LD5 Linedriver / 5 VDC encoder supply	
Front membrane	BS D blue N neutral	standard
Software	S E	standard

Your ordering: - - - - -

Electronic Display MA48



PP/OC, OE		LD, OP	
Pin	Assignment	Pin	Assignment
1		+UB	
2	A	2	A +
3	N. C.	3	A -
4	B	4	B +
5	N. C.	5	B -
6	I	6	I +
7	N. C.	7	I -
8	GND		
9	RFS (earth switching)		
10	GND		
PE	PE, protective earth conductor		
N	230 VAC / GND		
L	230 VAC / +24 VDC		

Technical data

Mechanical data:		Additional information
Housing	Plastic	Cutout in control panel according to DIN IEC 61554: 92 ^{+0,8} x 45 ^{+0,6} mm
Keyboard	membrane keys with pressure pint	
Connection	13-pin terminal strips	
Protection	IP40 IP60	complete device at the front with control board installation
Working temperature	0 °C ... +50 °C	
Storage temperature	-20 °C ... +85 °C	
Humidity	Condensation not permitted	
Weight	0,4 kg 0,25 kg	at 230 VAC and 115 VAC at 24 VDC

Electrical data:

Operating voltage	24 VDC ± 10 % 230 VAC ± 10 % 115 VAC ± 10 %	
Current draw	60 mA	at 24 V, without encoder
Display	12-digit LCD dot matrix	
Display range	-9 999 999 ... +9 999 999	
Encoder input	PP/OC, OP, LD5, LD24	
Encoder input frequenz	max. 250 kHz	
Encoder supply	24 VDC (200 mA) 5 VDC (200 mA)	
Counter capacity	± 2 ²³ increments	
Pulse evaluation	4-fold	
EMV	EN 61000-6-2 EN 61000-6-4	noise immunity/immission emitted interference/emission