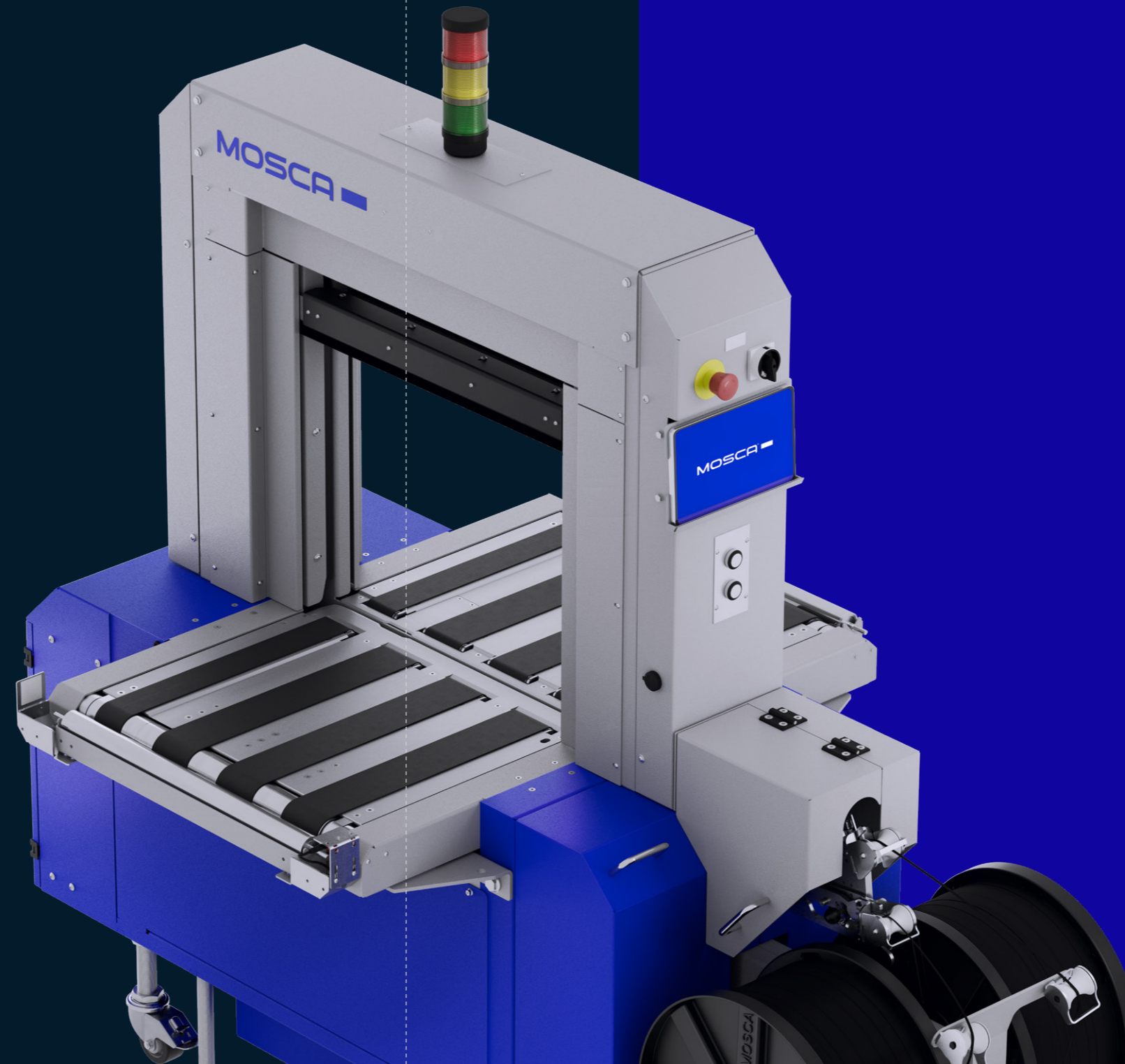


# SoniXs TR- Connect

REVOLUTIONIZE YOUR  
END-OF-LINE [PACKAGING]  
PERFORMANCE

MOSCA



NONSTOP RESPONSIBLE  
NONSTOP RELIABLE  
NONSTOP INTELLIGENT  
NONSTOP PROGRESSIVE

Fully Automatic  
Strapping Machine



Mail Order & Logistics, Newspapers & Graphics  
Industry, Corrugated Cardboard & Paper Industry



SoniXs Sealing Unit | Standard-7



Energy-efficient electrical drives



For PP straps



Mosca Digital package



NONSTOP PERFORMANCE

# SoniXs TR-Connect

## FULLY AUTOMATIC STRAPPING MACHINE FOR NETWORKED APPLICATIONS

The TR-Connect is a versatile machine suitable for fully automatic applications with different levels of complexity. An integrated WebHMI (standard) gives users direct access to all performance-related machine data including availability, quality and output. Machine settings can also be viewed and adjusted at any time. For frequently processed products, users can define optimised, package-dependent machine settings with storable product recipes. The TR-Connect also offers the option of automatically changing product recipes using sensors or interface signals.

For advanced digital applications, the Mosca Digital package enables users to check machine status via mobile devices regardless of location and time. An open OPC UA interface allows the SoniXs TR-Connect to communicate with a wide variety of machines and systems.

### TECHNICAL DATA

Performance:  
Up to 45 packages per minute (600 x 600 mm)

Frame Sizes: (W x H)  
500 x 400 mm  
500 x 600 mm  
600 x 600 mm  
800 x 600 mm  
800 x 800 mm  
1,000 x 1,000 mm

Conveying Height:  
700 - 870 mm (standard)  
870 - 1,040 mm (optional increased working height)

Straps:  
PP straps: Width: 5 - 12 mm  
Thickness: 0.4 - 0.63 mm

Strap Coil Dispenser:  
Core diameter: 200 mm  
Core width: 190 mm

Electricity:  
Voltage: 100 - 240 V, 50 / 60 Hz, 1L+N+PE  
(others on request)  
Power consumption: approx 0.30 kW,  
depending on options

Weight:  
450 kg (600 x 600 mm, incl. hold-down device & backstop)

### STANDARD FEATURES

SoniXs Ultrasonic sealing unit in standard-7 version

Easy accessibility and tool-free disassembly of strap path components

Potential-free contacts to upstream and downstream machines

Bundle positioning via increments by metrical input of the strapping positions

Flexible product processing through alternatively sealing unit position (central or 140 mm from left)

Infinitely adjustable conveyor speed from 0.1 to 1.0 m/s

Best product processing by possible assignment of package-dependent machine settings via product recipes

ATR - Automatic cycle rate regulation

Package including further languages, strapping patterns and positions incl. Multistrap

Intuitive user guidance via Mosca WebHMI. Division into different user groups

CE marking inclusive conformity declaration

Extremely low energy consumption

### OPTIONS

Mosca Digital package

Interface OPC UA

Automatic adjustment of the strap tension by package height detection

Lateral product guiding

Fully automatic strap coil change by double strap dispenser

Product transport via roller table

Energy-efficient, electro-mechanical package stop

Energy-efficient, electro-mechanical hold-down device

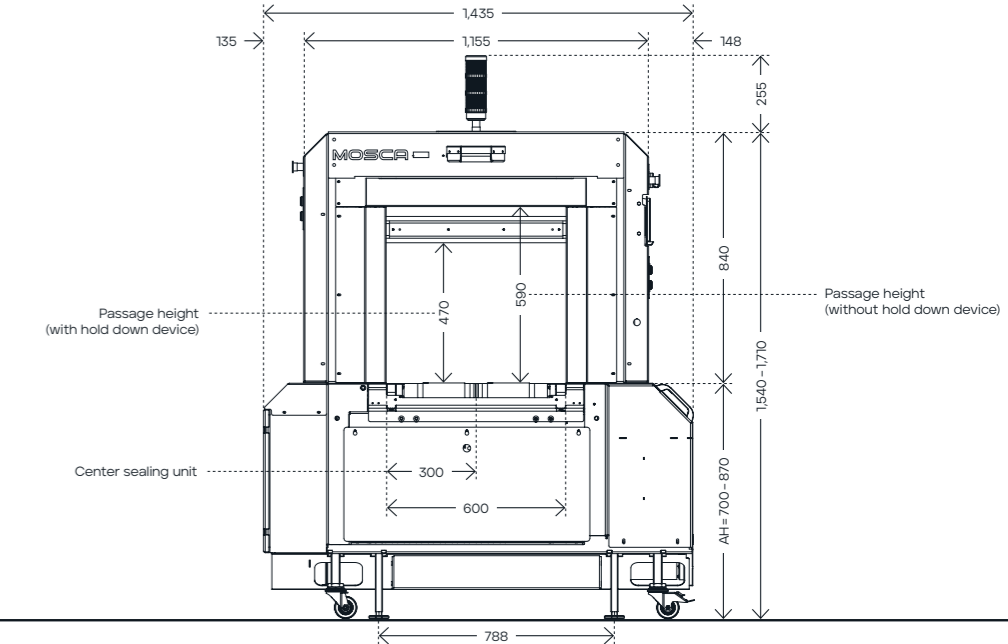
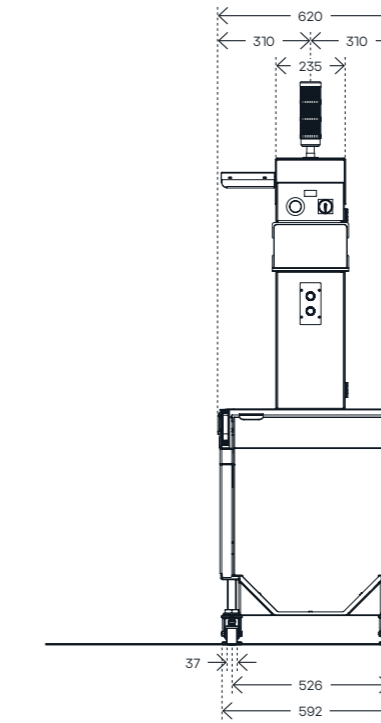
Table extension up to 60, 110 or 220 mm

Safety pop-up rollers in the infeed and outlet

Automatic machine adaptation to package dimensions to optimize the strapping process via sensors or interface signals

Variably assignable signal exchange in infeed and outlet

### DIMENSIONS / WORKING WIDTH MACHINE (in mm; Picture includes options)



CONTACT US FOR A PERFORMANCE  
CONSULTATION!

mosca.com

Mosca GmbH  
Gerd-Mosca-Straße 1 · 69429 Waldbrunn

info@mosca.com · +49 6274 / 932-0