

TD99 Slow-closing motion for horizontal use



Rotary dampers can facilitate slow-closing by controlling the speed when closing the doors or lids.

Benefits

- ✓ Protect from impact damage
- ✓ Soften the noise from impact
- ✓ Prevent slamming of fingers

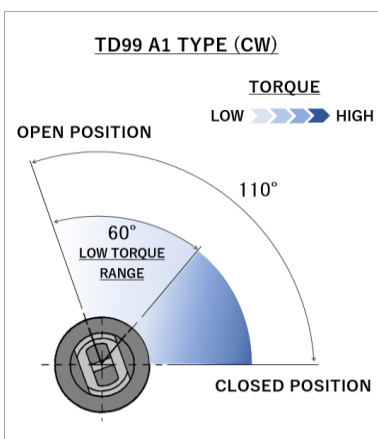
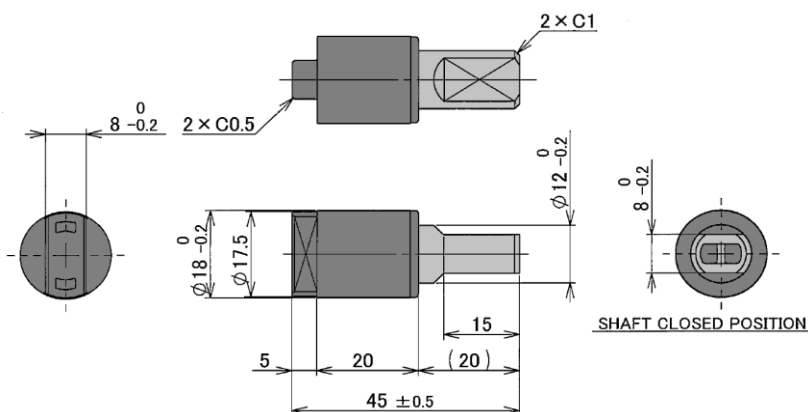
Applications

- ✓ Garbage can lid
- ✓ Toilet seat and cover
- ✓ Piano lid
- ✓ Printer lid

Code	Part No.	Torque N · m (lbf · in)	Direction	Shaft Color
609904	TD99A1-10K	10.0 (88.51)	CW	Natural
609902	TD99A1-15K	15.0 (132.76)		
609900	TD99A1-20K	20.0 (177.02)		

Code	Part No.	Torque N · m (lbf · in)	Direction	Shaft Color
609905	TD99B1-10K	10.0 (88.51)	CCW	Black
609903	TD99B1-15K	15.0 (132.76)		
609901	TD99B1-20K	20.0 (177.02)		

DIMENSIONS



STANDARD COMPONENTS

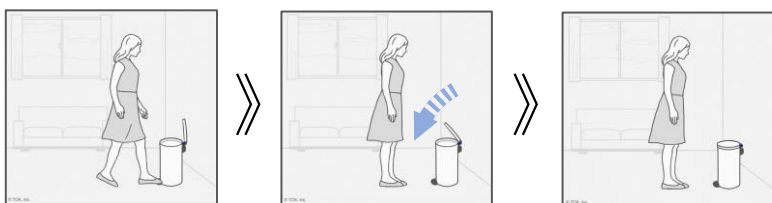
Part name	Material
Housing	Plastic
Shaft	Plastic
Cap	Plastic

OPERATION TEMPERATURE

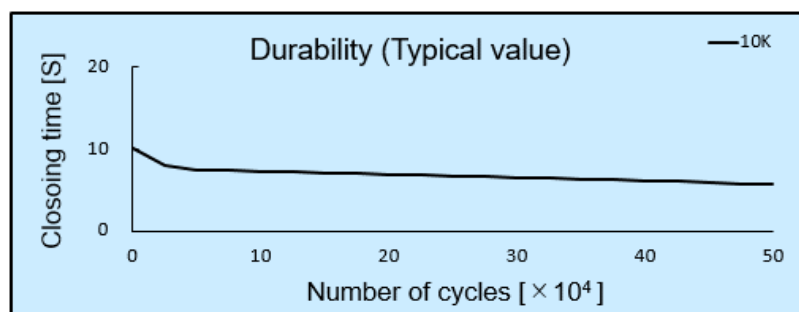
Operation Temperature [°C] (°F)
0 ~ 40°C (32 ~ 104°F)

APPLICATION IMAGES

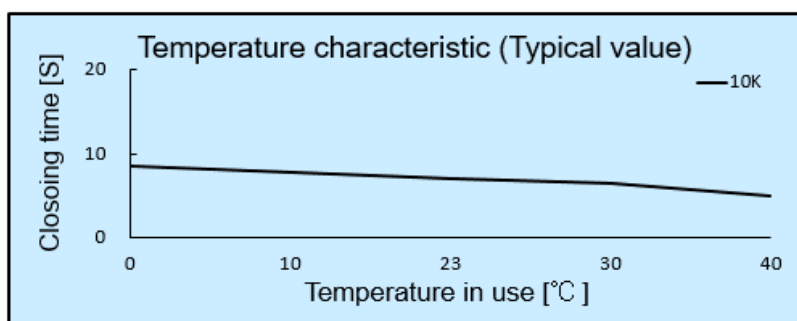
Slow-closing motion for Horizontal use



DURABILITY



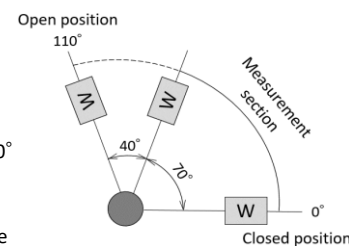
TEMPERATURE CHARACTERISTICS



TEST CONDITION

Operation angle	110°	
Durability	50,000 cycle	
Closing time (TD99A1-10K)	Applied torque	Initial value
	10.0 N · m	5 to 15 (sec)

- ① Setting-up time : 15 sec/cycle
- ② Applied torque : 0.98N · m (88.51 lbf · in)
- ③ Temperature : 23°C ± 2°C
- ④ Angle for measuring the closing time : 70° to 0°
- ⑤ Radial force : nothing
- ⑥ Closing time after durability test : 1 sec or more



TOK, Inc.

HEAD OFFICE, TOKYO, JAPAN
 TEL : 81-3-3969-1584
 EMAIL : en-contact@tok-inc.com
 : www.tok-inc.com/en

CAD Data Download

<https://bit.ly/3gqeTIT>



TD99 Slow-closing motion for vertical use



To begin, rotary dampers can be set at a high torque in the area of movement, and then the torque can gradually be reduced.

Benefits

- ✓ Protect from impact damage
- ✓ Soften the noise from impact
- ✓ Prevent slamming of fingers

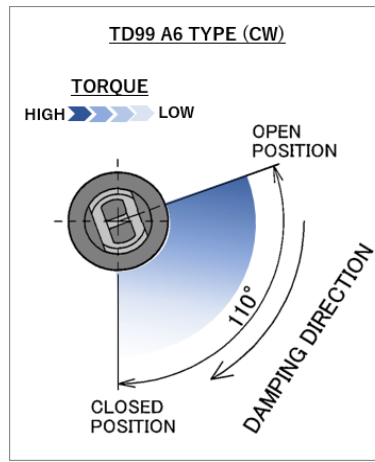
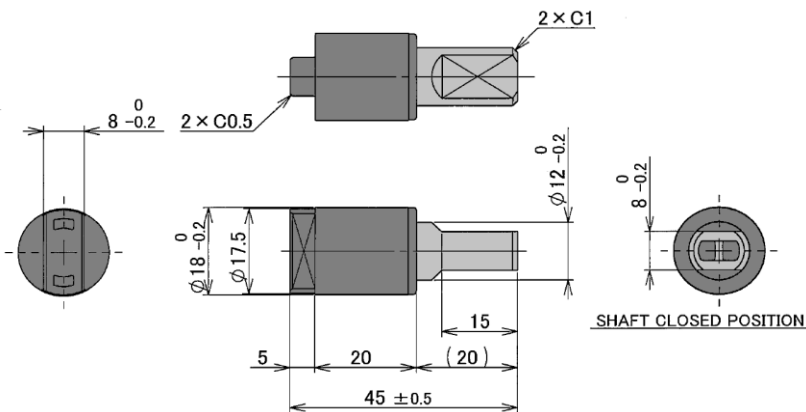
Applications

- ✓ Glove compartment
- ✓ Display case lid
- ✓ Wall mounted folding seat
- ✓ Wall mounted folding table

Code	Part No.	Torque N · m (lbf · in)	Direction	Shaft Color
609950	TD99A6-10K	1.0 (8.85)	CW	Light Blue
609952	TD99A6-15K	1.5 (13.28)		
609954	TD99A6-20K	2.0 (17.70)		

Code	Part No.	Torque N · m (lbf · in)	Direction	Shaft Color
609951	TD99B6-10K	1.0 (8.85)	CCW	Blue
609953	TD99B6-15K	1.5 (13.28)		
609955	TD99B6-20K	2.0 (17.70)		

DIMENSIONS



STANDARD COMPONENTS

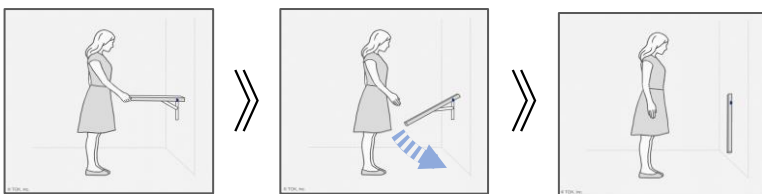
Part name	Material
Housing	Plastic
Shaft	Plastic
Cap	Plastic

OPERATION TEMPERATURE

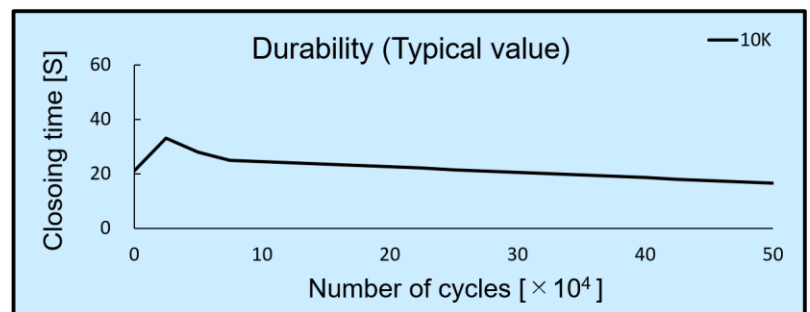
Operation Temperature [°C] (°F)
0 ~ 40°C (32 ~ 104°F)

APPLICATION IMAGES

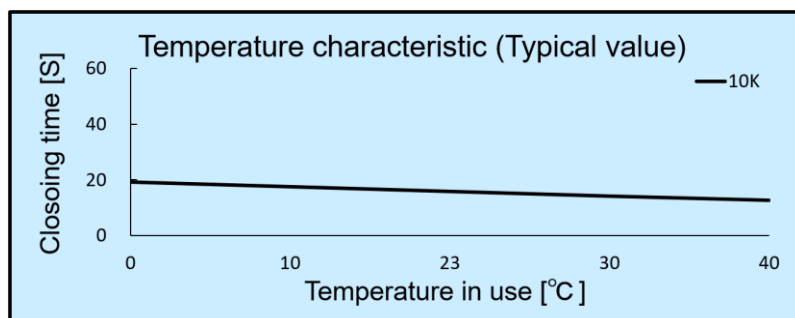
Slow-closing motion for vertical use



DURABILITY



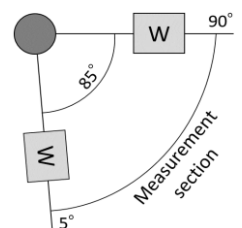
TEMPERATURE CHARACTERISTICS



TEST CONDITION

Operation angle	110°	
Durability	50,000 cycle	
Closing time (TD99A6-10K)	Applied torque	Initial value
	1.0 N · m	5 to 20 (sec)

- ① Time mode : 5° to 90° to (free closing) to 5° / cycle
- ② Load torque : 1.0 N · m
- ③ Temperature : 23°C ± 2°C
- ④ Angle for measuring the closing time : 90° to 5°
- ⑤ Radial force : nothing



TOK, Inc.

HEAD OFFICE, TOKYO, JAPAN
 TEL : 81-3-3969-1584
 EMAIL : en-contact@tok-inc.com
 : www.tok-inc.com/en

CAD Data Download

<https://bit.ly/3gqeTIT>

